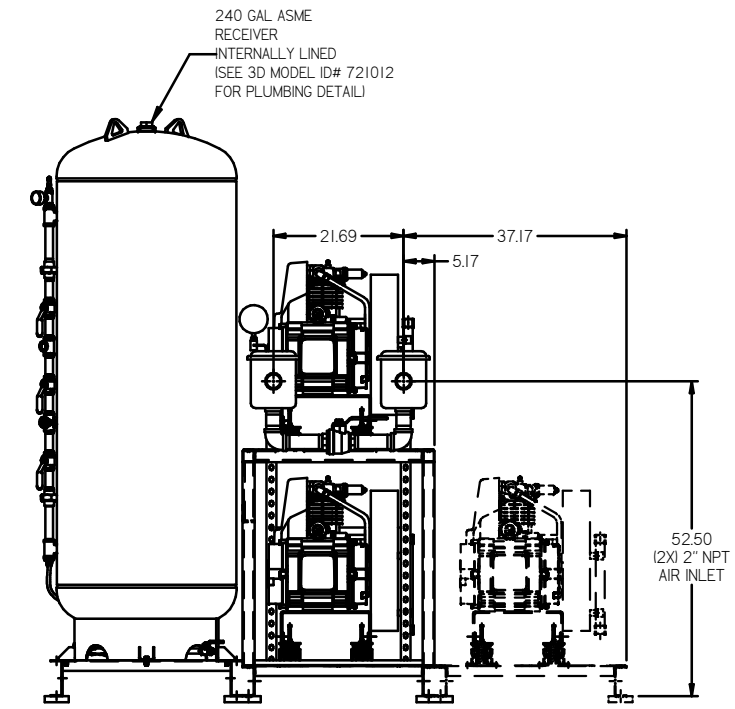
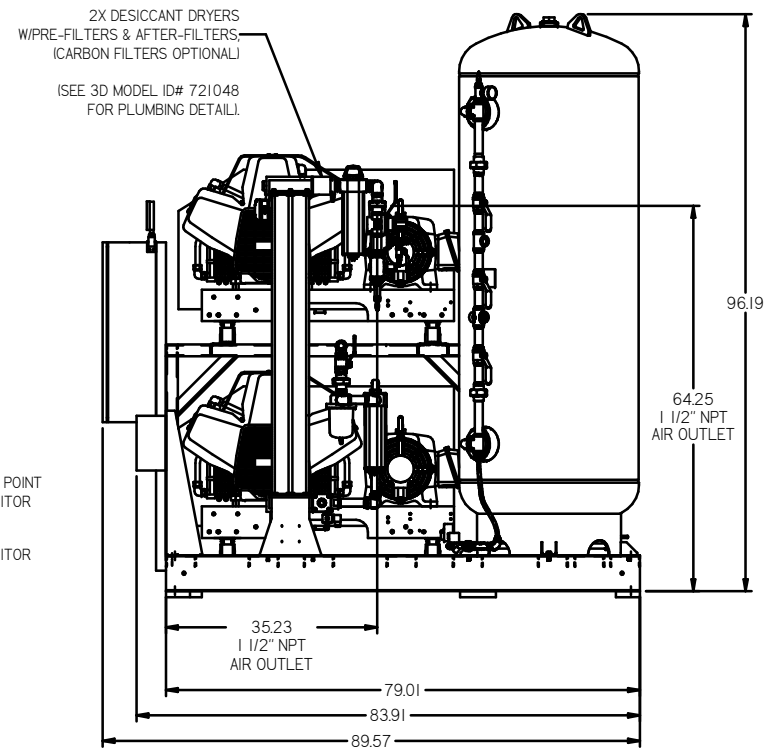
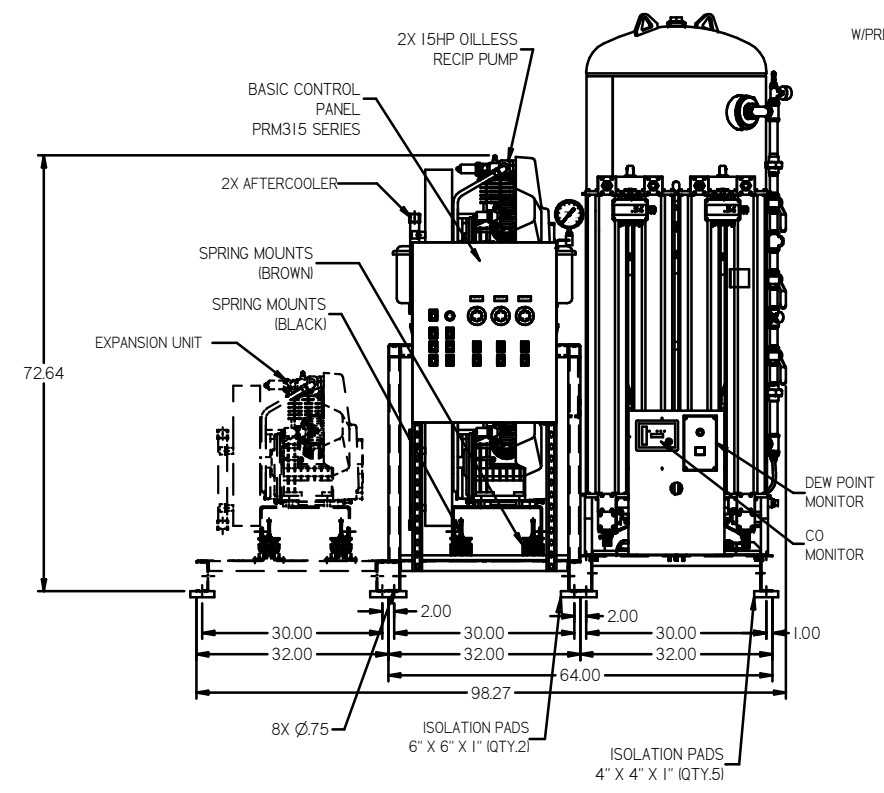
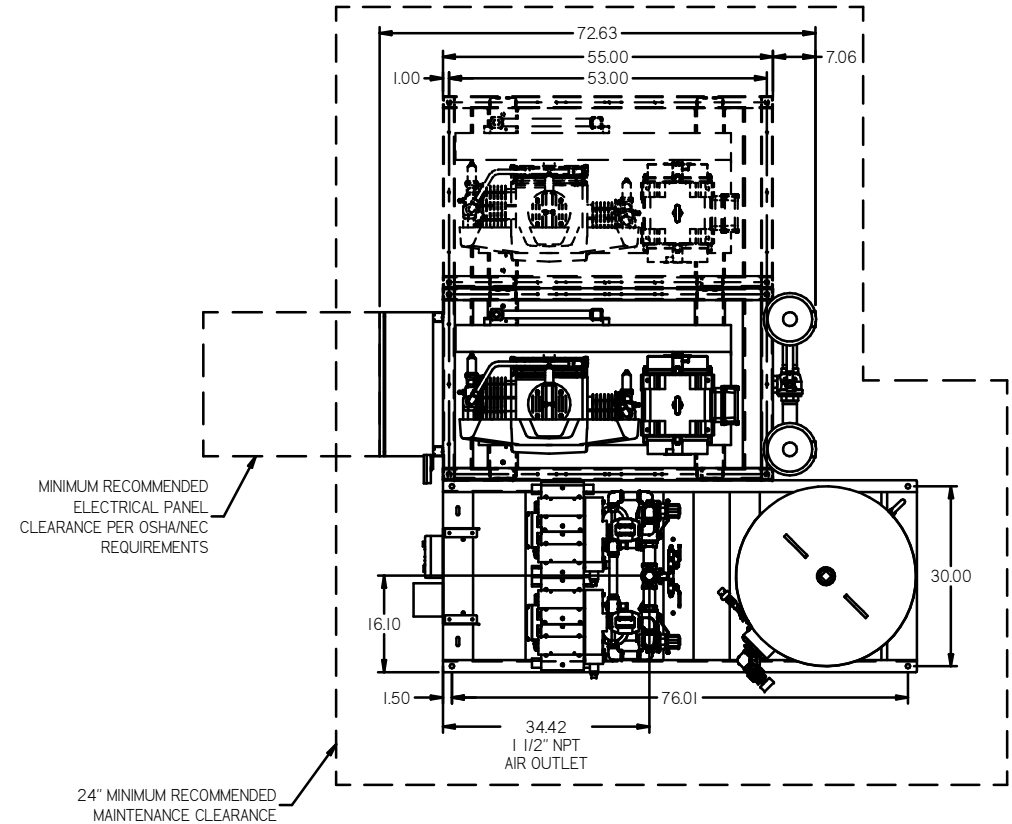


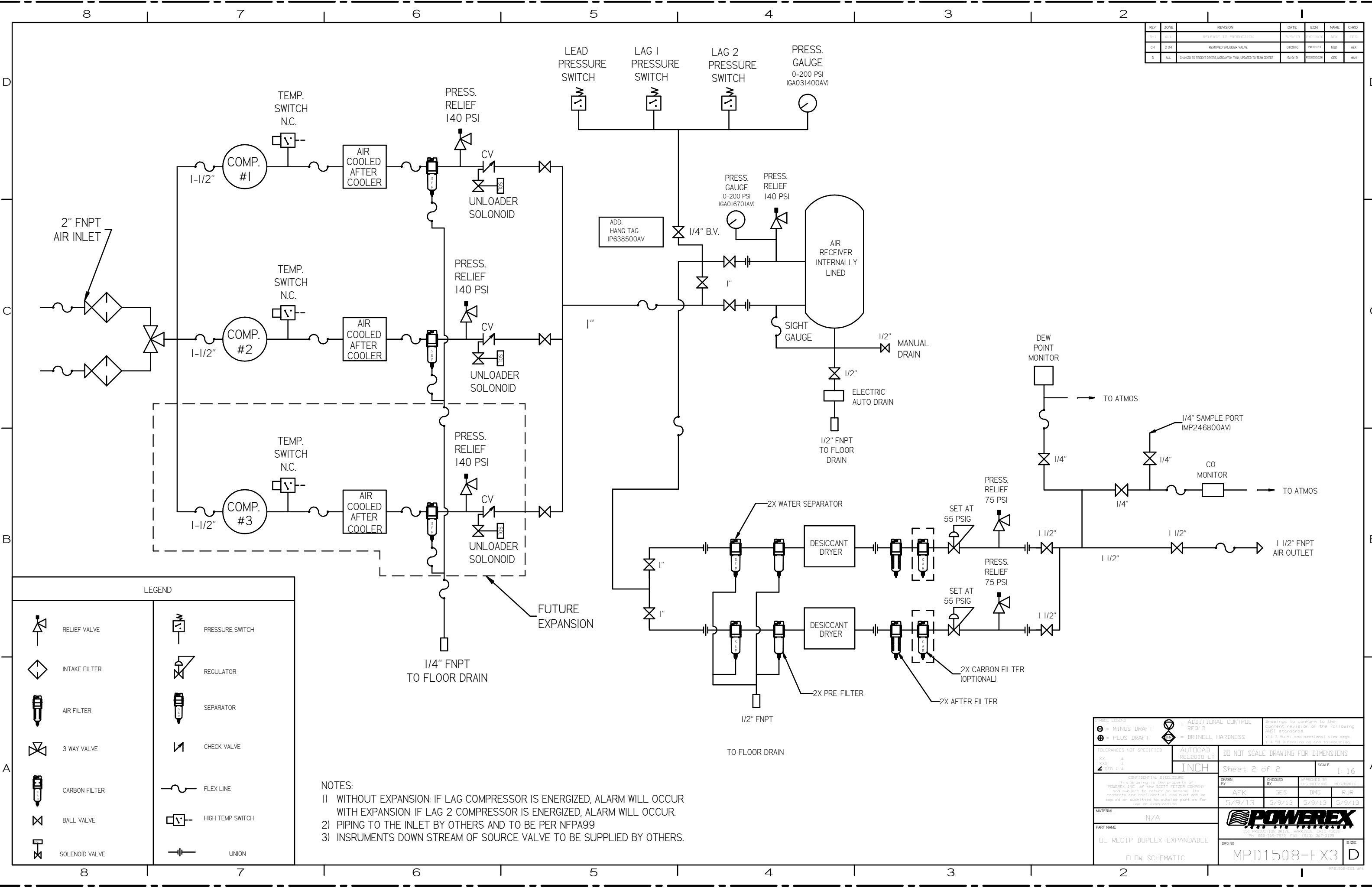
REV	ZONE	REVISION	DATE	ECN	NAME	CHWD
B-1	ALL	RELEASED TO PRODUCT 101	5/9/13		RES	RES
C-1	2/04	REMOVED SLUBBER VALVE	01/2016		MLD	AEK
D	ALL	CHANGED TO TREAT BRASS, MOUNTED IN TANK, UPDATED TO NEW CENTER	9/9/19		GES	MMH



NOTE: SYSTEM DESIGNED IN COMPLIANCE WITH U.S. NFPA '99, LATEST EDITION

TOLERANCES NOT SPECIFIED XX ± .1 XX ± .05 XX ± .01		AUTOCAD RELEASE L1 INCH		DO NOT SCALE DRAWING FOR DIMENSIONS Sheet 1 of 2 SCALE 1:16	
MATERIAL N/A		PART NAME 15HP OL RECIP DUPLEX EXPANDABLE		DRAWN BY AEK	
240GAL DUPLEX DESICCANT		DWG NO MPD1508-EX3		CHECKED BY GES	
				APPROVED BY DMS	
				DATE 5/9/13	
				5/9/13	
				5/9/13	
				5/9/13	
				SIZE D	

REV	ZONE	REVISION	DATE	ECN	NAME	CHKD
1	ALL	RELEASE TO PRODUCTION	05/01/13		GES	GES
2	2 D4	REMOVED SALLBER VALVE	05/20/16		MJD	AEK
3	ALL	CHANGED TO FREEST DRIPPS MORGANTON TANK UPDATED TO TEAM CENTER	09/09/19		PRECEDISSON	GES



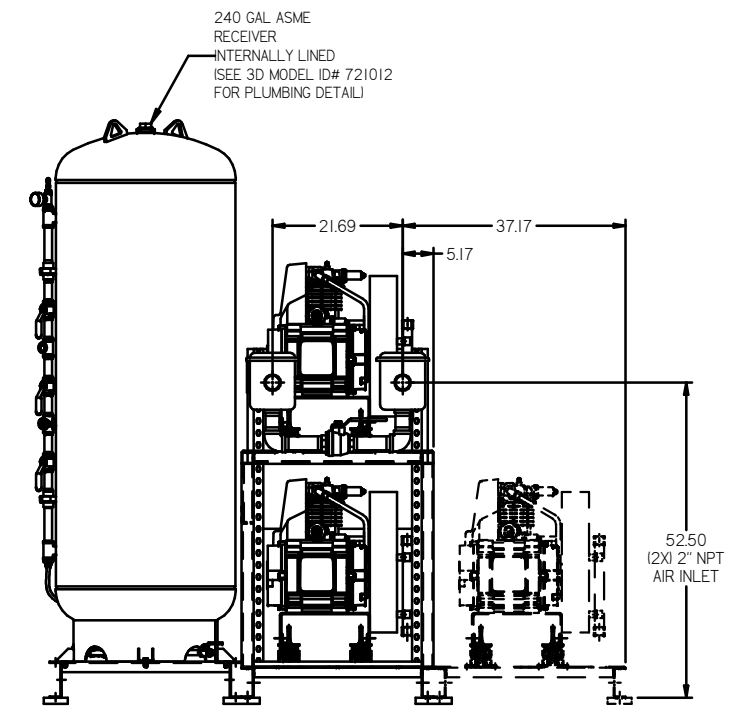
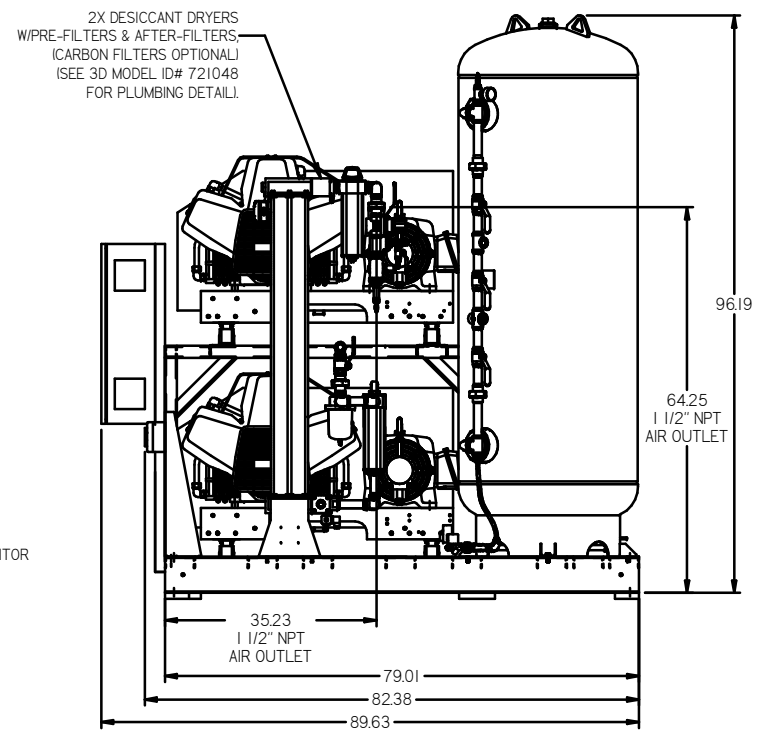
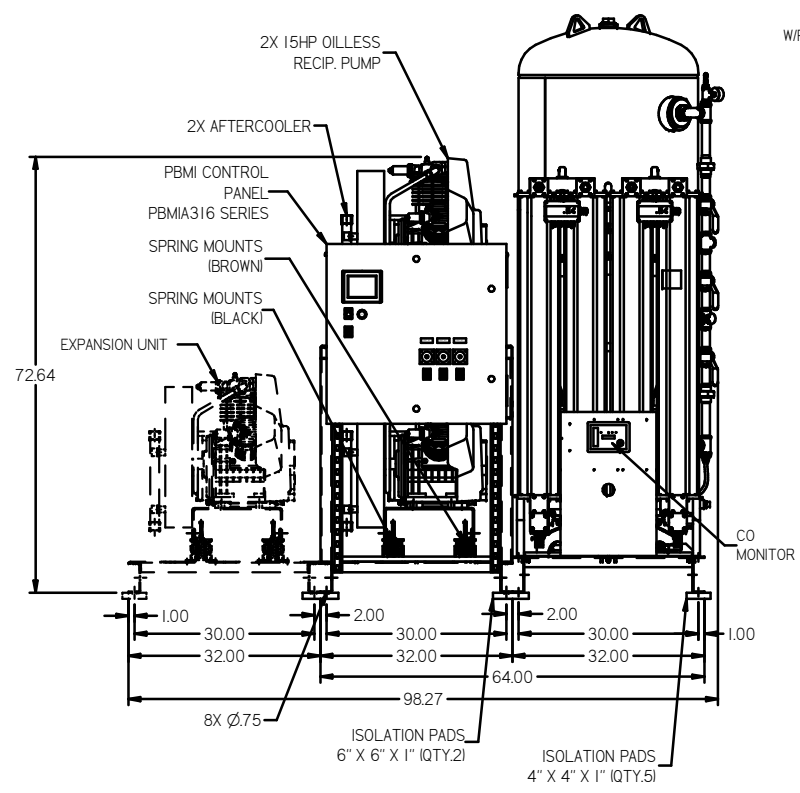
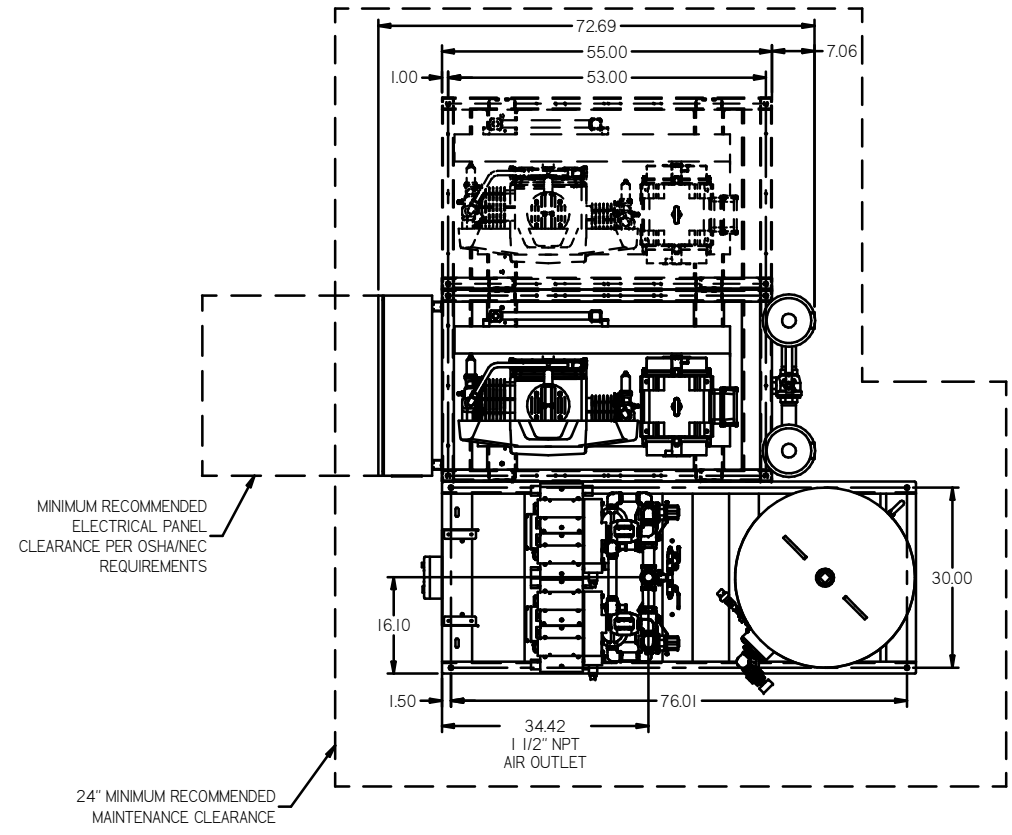
LEGEND

	RELIEF VALVE		PRESSURE SWITCH
	INTAKE FILTER		REGULATOR
	AIR FILTER		SEPARATOR
	3 WAY VALVE		CHECK VALVE
	CARBON FILTER		FLEX LINE
	BALL VALVE		HIGH TEMP SWITCH
	SOLENOID VALVE		UNION

- NOTES:
- 1) WITHOUT EXPANSION: IF LAG COMPRESSOR IS ENERGIZED, ALARM WILL OCCUR
WITH EXPANSION: IF LAG 2 COMPRESSOR IS ENERGIZED, ALARM WILL OCCUR.
 - 2) PIPING TO THE INLET BY OTHERS AND TO BE PER NFPA99
 - 3) INSTRUMENTS DOWN STREAM OF SOURCE VALVE TO BE SUPPLIED BY OTHERS.

<p>TOLERANCES NOT SPECIFIED</p> <p>XX ± .005</p> <p>XXX ± .010</p> <p>ZZ ± .015</p>	<p>AUTOCAD RELEASED I.T.</p> <p>INCH</p>	<p>DO NOT SCALE DRAWING FOR DIMENSIONS</p> <p>Sheet 2 of 2</p> <p>SCALE 1:16</p>								
<p>CONFIDENTIAL PROCEDURE</p> <p>This drawing is the property of POWEREX, INC. of the SCOTT PETERSON COMPANY and subject to return on demand. Its contents are confidential and must not be copied or submitted to outside parties for use or examination.</p>		<p>APPROVED BY</p> <table border="1"> <tr> <td>AEK</td> <td>GES</td> <td>DMS</td> <td>RJR</td> </tr> <tr> <td>5/9/13</td> <td>5/9/13</td> <td>5/9/13</td> <td>5/9/13</td> </tr> </table>	AEK	GES	DMS	RJR	5/9/13	5/9/13	5/9/13	5/9/13
AEK	GES	DMS	RJR							
5/9/13	5/9/13	5/9/13	5/9/13							
<p>MATERIAL: N/A</p> <p>PART NAME: DL RECIP DUPLEX EXPANDABLE</p> <p>FLDW. SCHEMATIC</p>		<p>POWEREX</p> <p>150 PRODUCTION DRIVE, HARRISON, OHIO 45030</p> <p>Ph: 502-765-7075 FAX: 513-363-3125</p> <p>DWG NO: MPD1508-EX3</p> <p>SIZE: D</p>								

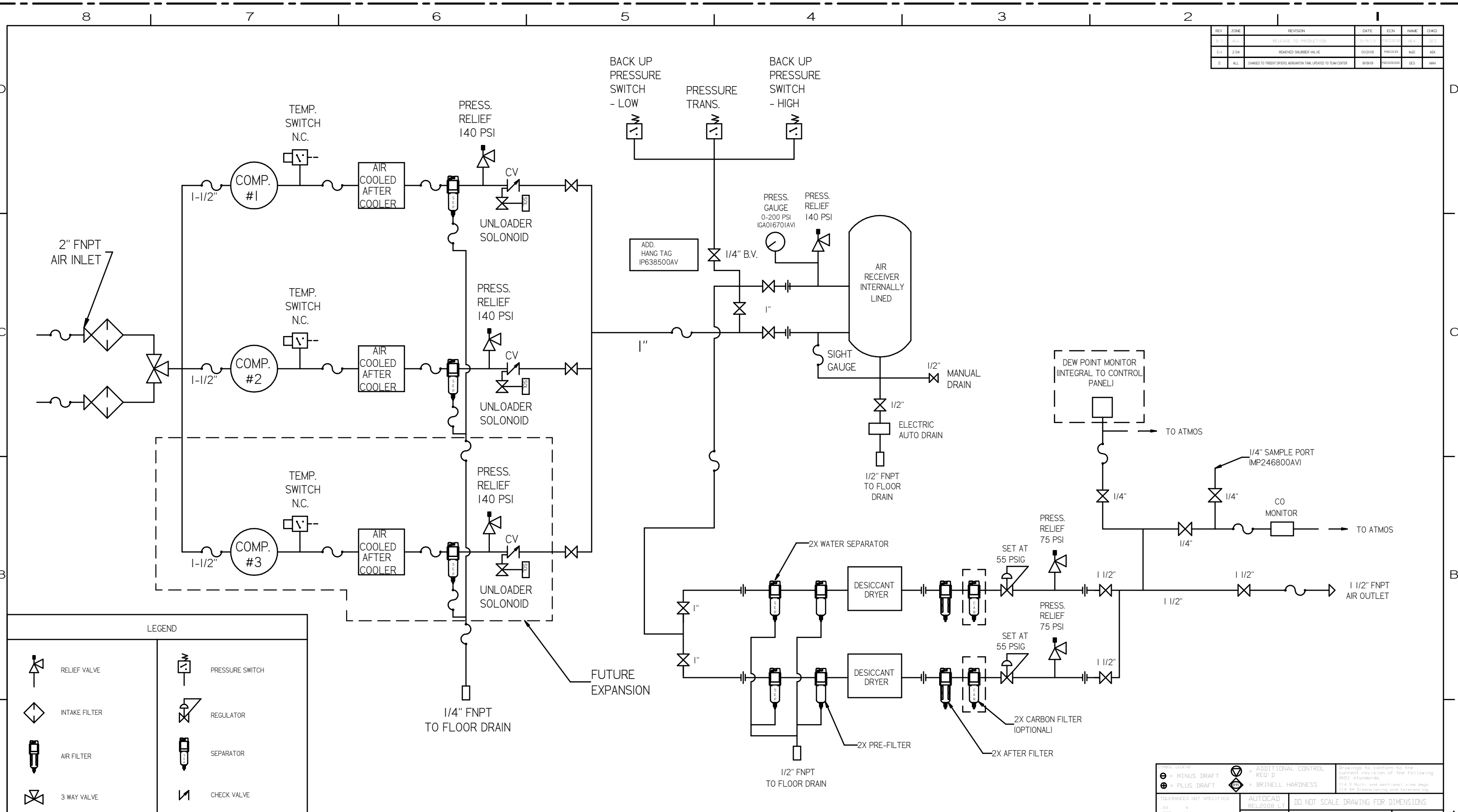
REV	ZONE	REVISION	DATE	ECN	NAME	CHD
B-1	ALL	RELEASE TO PRODUCT ID#	5/19/13	PREC0036	AEK	GES
C-1	204	REMOVED SLUBBER VALVE	5/20/16	PREC0133	MJD	AEK
D	ALL	CHANGED TO TREAT DRESS WORKSHOP TANK, UPDATED TO TEAM CENTER	8/19/19	PREC020201	GES	MW



NOTE: SYSTEM DESIGNED IN COMPLIANCE WITH U.S. NFPA '99, LATEST EDITION

TOLERANCES NOT SPECIFIED XX ± XXX ± 4 DEC ±	AUTOCAD REL2008 LT INCH	DO NOT SCALE DRAWING FOR DIMENSIONS Sheet 1 of 2 SCALE 1:16	Drawings to conform to the current revision of the following ANSI standards: Y14.3 Multi and sectional view dgs. Y14.9 Dimensioning and tolerancing
CONFIDENTIAL DISCLOSURE This drawing is the property of POWEREX, INC. or the SCOTT FETZER COMPANY and subject to return on demand. Its contents are confidential and must not be copied or submitted to outside parties for use or reproduction.	DRWN BY AEK	CHECKED BY GES	APPROVED BY DMS RJR
MATERIAL N/A	PART NAME 15HP OL RECIP DUPLEX EXPANDABLE	DATE 5/9/13	DATE 5/9/13
240GAL DUPLEX DESICCANT	DWG NO MPD1508-EX3	SIZE D	

REV	ZONE	REVISION	DATE	ECN	NAME	CHKD
1	ALL	RELEASE TO PRODUCTION	5/9/13		AEK	GES
2	2, 4	REMOVED SHOWER VALVE	02/20/16	PREC031	MJD	AEK
3	ALL	CHANGED TO TRENDS OPERATOR WORKSTATION FROM UPDATED TO TREN CENTER	07/01/16	PREC031	GES	MAY



LEGEND

	RELIEF VALVE		PRESSURE SWITCH
	INTAKE FILTER		REGULATOR
	AIR FILTER		SEPARATOR
	3 WAY VALVE		CHECK VALVE
	CARBON FILTER		FLEX LINE
	BALL VALVE		HIGH TEMP SWITCH
	SOLENOID VALVE		UNION

- NOTES:**
- 1) WITHOUT EXPANSION: IF LAG COMPRESSOR IS ENERGIZED, ALARM WILL OCCUR
WITH EXPANSION: IF LAG 2 COMPRESSOR IS ENERGIZED, ALARM WILL OCCUR.
 - 2) PIPING TO THE INLET BY OTHERS AND TO BE PER NFPA99
 - 3) INSTRUMENTS DOWN STREAM OF SOURCE VALVE TO BE SUPPLIED BY OTHERS.

<p>TYPICAL LEGEND</p> <ul style="list-style-type: none"> ⊖ = MINUS DRAFT ⊕ = PLUS DRAFT ⊕ = ADDITIONAL CONTROL REQ'D ⊕ = BRINELL HARDNESS 	<p>Drawings to conform to the current revision of the following AWSI standards:</p> <ul style="list-style-type: none"> 114.3 Multi and sectional view depts. 114.3W Dimensioning and tolerancing
<p>TOLERANCES NOT SPECIFIED</p> <p>AUTOCAD REL 2008 LT</p> <p>INCH</p>	<p>DO NOT SCALE DRAWING FOR DIMENSIONS</p> <p>Sheet 2 of 2</p> <p>SCALE 1:16</p>
<p>CONFIDENTIAL DISCLOSURE</p> <p>This drawing is the property of POWEREX, INC. of the SCOTT FETZER COMPANY and subject to return or demand. Its contents are confidential and must not be copied or submitted for outside parts. For use or inspection only.</p>	<p>APPROVED BY</p> <p>AEK</p> <p>5/9/13</p>
<p>MATERIAL</p> <p>N/A</p>	<p>CHECKED BY</p> <p>GES</p> <p>5/9/13</p>
<p>PART NAME</p> <p>DL RECIP DUPLEX EXPANDABLE</p>	<p>APPROVED BY</p> <p>DMS</p> <p>5/9/13</p>
<p>FLW SCHEMATIC</p>	<p>APPROVED BY</p> <p>RJR</p> <p>5/9/13</p>
<p>DWG NO</p> <p>MPD1508-EX3</p>	<p>SIZE</p> <p>D</p>