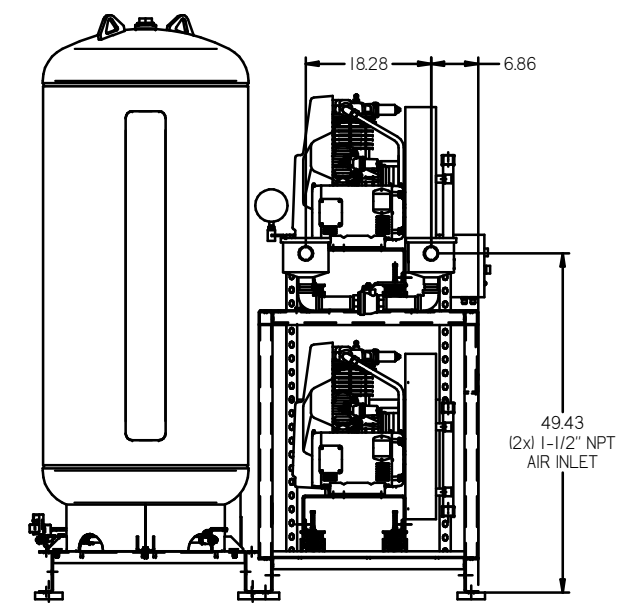
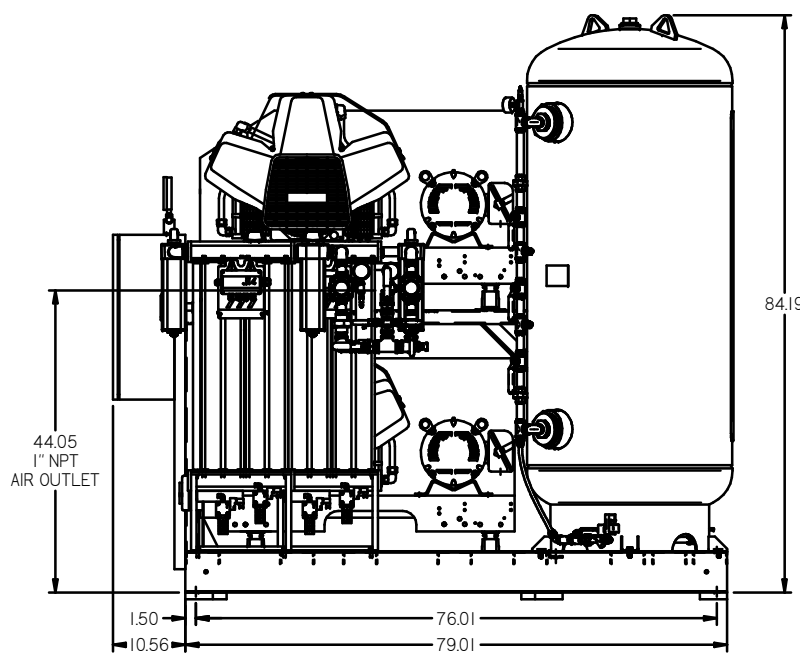
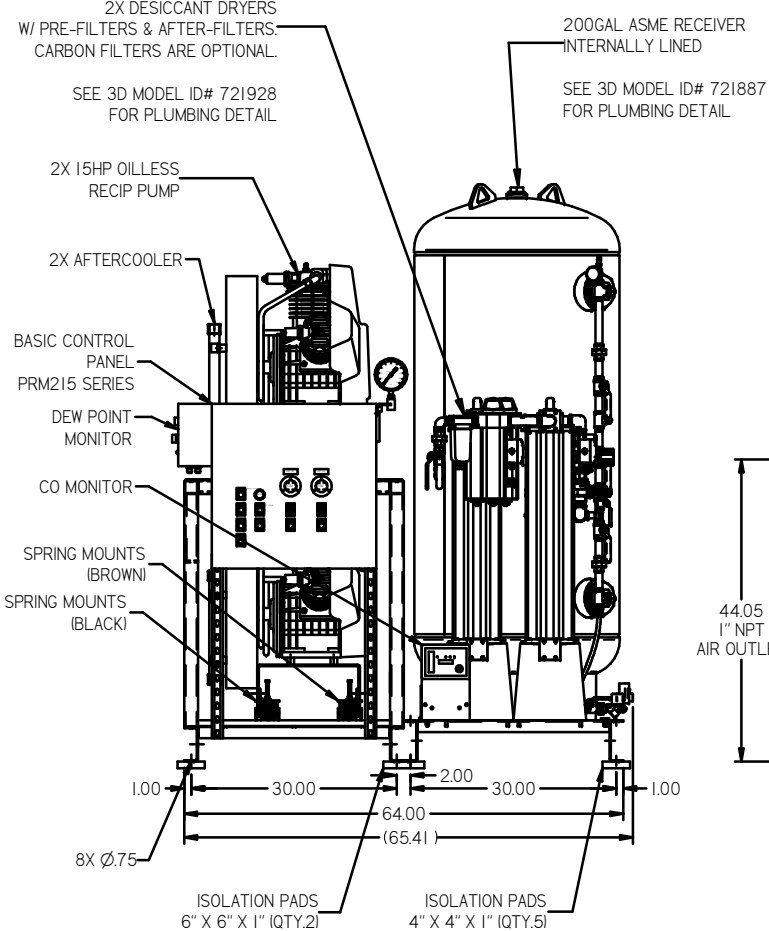
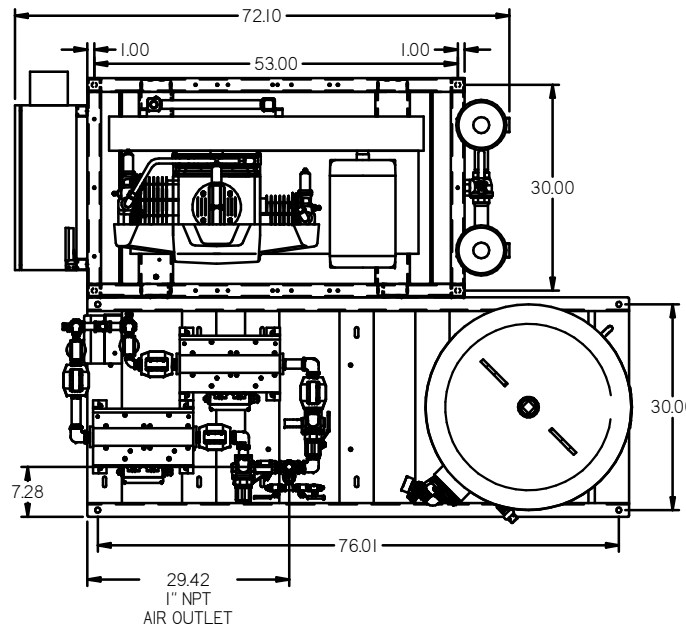


REV	ZONE	REVISION	DATE	ECN	NAME	CHKD
B-1	ALL	RELEASE TO PRODUCTION	08/09/06	21505	RSN	GES
D-1	ALL	ADDED NEW STYLE TANK AND PANEL	11/07/07	21689	AEK	DMS
E-1	C3/C4	ADDED ISO VALVE, HANG TAG, TANK GAUGE, TSPS SRV	09/03/08	21907	DMS	GES
F-1	IS-7	ADDED SPRING COLOR LOCATIONS	01/10/08	22039	GES	DMS
G-1	ALL	CHANGED OUTLET FROM 3/4" NPT TO 1" NPT	01/08/08	21907	AEK	DMS
G-2	ALL	REPLACED BASE SKIDS W/ PIN - AM0036025T	12/08/08	21907	AEK	GES
G-3	ALL	ADDED SHEETS 3 & 4	12/22/08	21907	AEK	DMS
H-1	ALL	UPDATED TO NEW POWEREX DRYER REMOVED SHEETS 3 & 4	09/23/09	22120	AEK	DMS
J-1	ALL	REMOVED W/ BASE SKID & RELOCATED PANEL AND DRYER	09/24/09	22286	AEK	GES
K-1	1 ALL	UPDATED PUMP FRAMES	01/10/10	22407	AEK	GES
L-1	1 ALL	UPDATED AFTERCOOLER MOUNTING BRACKET	12/01/10	22407	AEK	GES
M-1	1 ALL	CHANGED AC FROM AM002200W TO AM002200W	09/20/11	22607	AEK	GES
N-1	ALL	ADDED PBM SHEETS	09/20/11	22609	AEK	GES
P-1	2 ALL	UPDATED/ADDED FLEX LINES	12/01/12	PRE00009	AEK	DMS
Q-1	2 D4	ADDED SHLUBBER VALVE	06/28/13	PRE00030	AEK	GES
R-1	2 D4	REMOVED SHLUBBER VALVE	01/01/16	PRE00133	HALD	AEK
S	ALL	SHANG TO TIGHT DRYER, MODIFIED TANK, UPDATED TO 1/2" BRINELL SCALE 0 TO 14	7/23/19	PRE00202	GES	MW

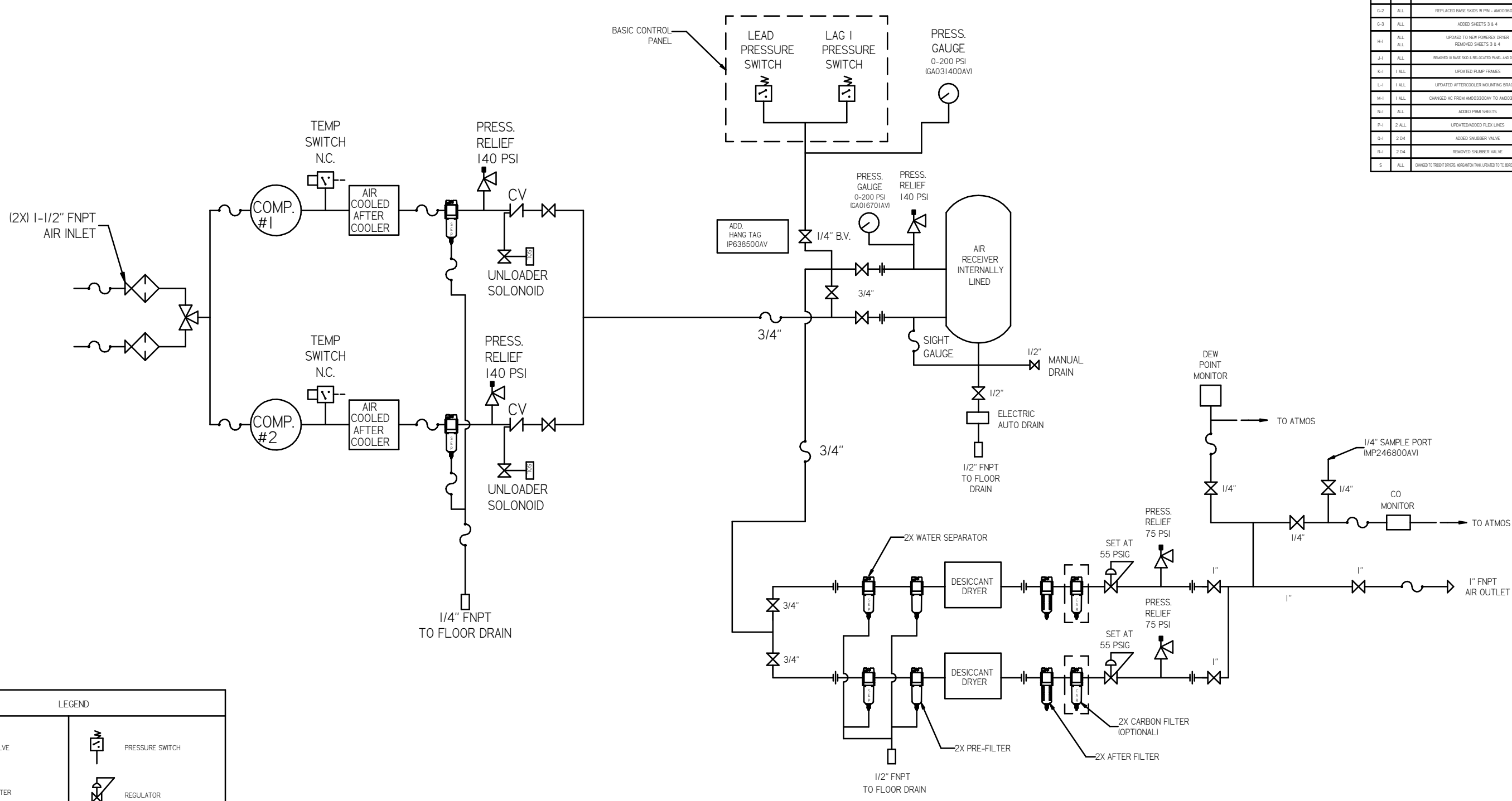


NOTE: A MINIMUM OF 24" CLEARANCE IS RECOMMENDED AROUND THE ENTIRE UNIT.

NOTE: SYSTEM DESIGNED IN COMPLIANCE WITH U.S. NFPA '99, LATEST EDITION.

TOLERANCES NOT SPECIFIED: XX ± XXX ± Z (SEE 3) ±	AUTOCAD REL2000.1 INCH	DO NOT SCALE DRAWING FOR DIMENSIONS Sheet 1 of 2 SCALE 1:14
CONFIDENTIAL DISCLOSURE This drawing is the property of the POWEREX, INC. OF THE SCOTT FETZER COMPANY and subject to return on demand. Its contents are confidential and must not be copied or submitted to outside parties for use or reproduction.		DRWN BY: RSN CHECKED BY: GES APPROVED BY: DMS, JJ 04/25/06, 7/25/06, 7/25/06, 7/25/06
MATERIAL: N/A		
PART NAME: DUPLEX DILLESS 15HP, 200GAL. BASEMOUNT DUPLEX DESICCANT		DWG NO: MPD1508 SIZE: D

REV	ZONE	REVISION	DATE	ECN	NAME	CHKD
B-1	ALL	RELEASE TO PRODUCT EDN	08/09/06	21535	RSN	GES
D-1	ALL	ADDED NEW STYLE TANK AND PANEL	11/09/07	21659	AKK	DMS
E-1	C3C4	ADDED 60 VALVE HANG TAG, TANK GAUGE, TSPS/SRV	08/03/08	21907	DMS	GES
F-1	1B-7	ADDED SPRING COLOR LOCATIONS	01/10/08	22039	GES	DMS
G-1	ALL	CHANGED OUTLET FROM 3/4" FNPT TO 1" FNPT	11/01/08	21907	AKK	DMS
G-2	ALL	REPLACED BASE SKIDS W/ PIN - AM03602ST	12/09/08	21907	AKK	GES
G-3	ALL	ADDED SHEETS 3 & 4	12/22/08	21907	AKK	DMS
H-1	ALL	UPDATED TO NEW POWEREX DRYER REMOVED SHEETS 3 & 4	02/23/09	22130	AKK	DMS
J-1	ALL	REMOVED 11 BASE SKID & RELOCATED PANEL AND OTHERS	02/24/09	22286	AKK	GES
K-1	1 ALL	UPDATED PUMP FRAMES	01/31/10	22407	AKK	GES
L-1	1 ALL	UPDATED AFTERCOOLER MOUNTING BRACKET	12/31/10	22407	AKK	GES
M-1	1 ALL	CHANGED AC FROM AM03300HV TO AM03200HV	09/20/11	22607	AKK	GES
N-1	ALL	ADDED PBM SHEETS	09/21/11	22609	AKK	GES
P-1	2 ALL	UPDATED/REMOVED FLEX LINES	12/01/12	PRE00009	AKK	DMS
Q-1	2 D4	ADDED SHLEBER VALVE	09/29/13	PRE00030	AKK	GES
R-1	2 D4	REMOVED SHLEBER VALVE	01/21/16	PRE00133	WLD	AKK
S	ALL	CHANGED TO TIGHT DRINK, 4000000 TANK, UPDATED TO TC, 00000000 0 TO 14	07/23/19	PRE0020209	GES	NAN



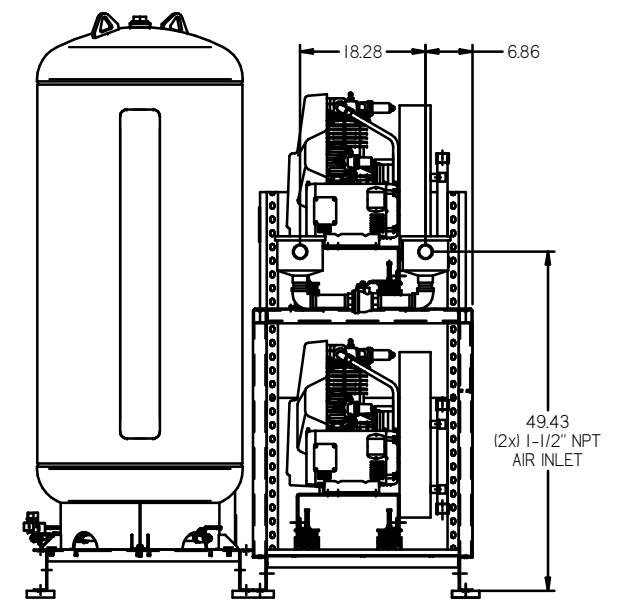
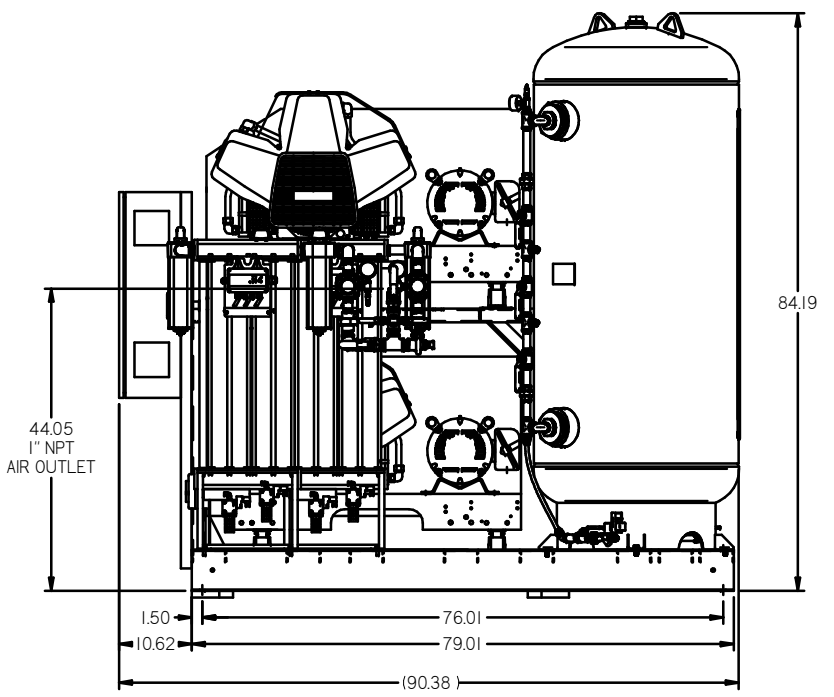
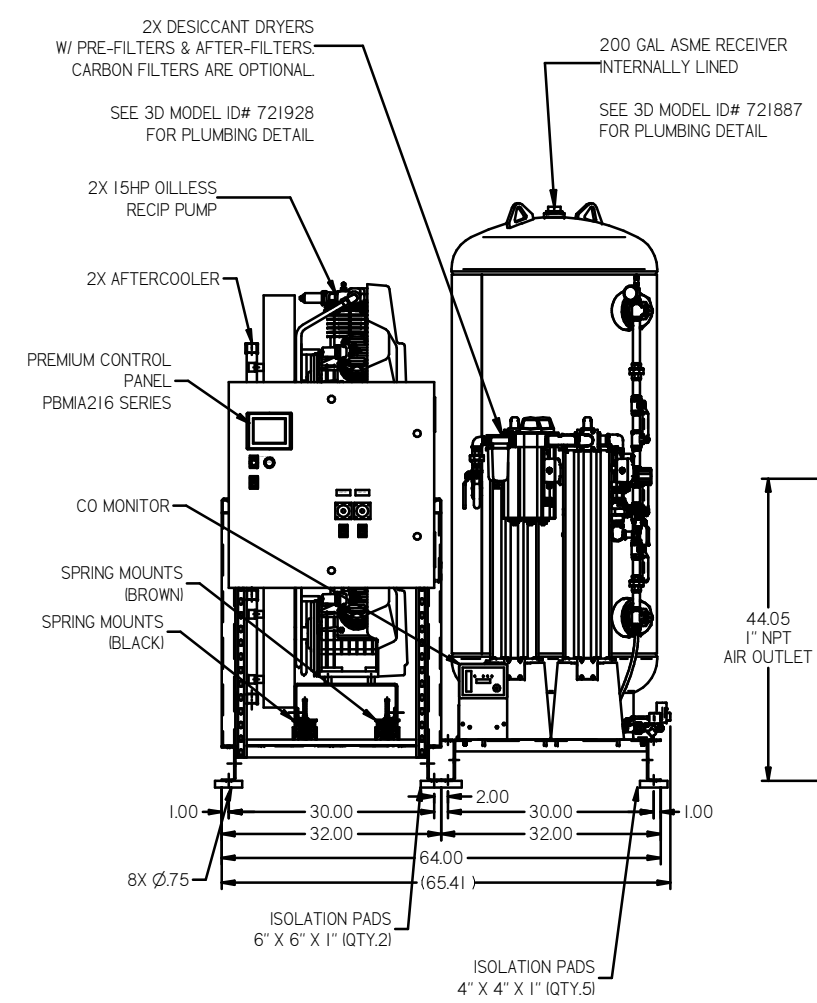
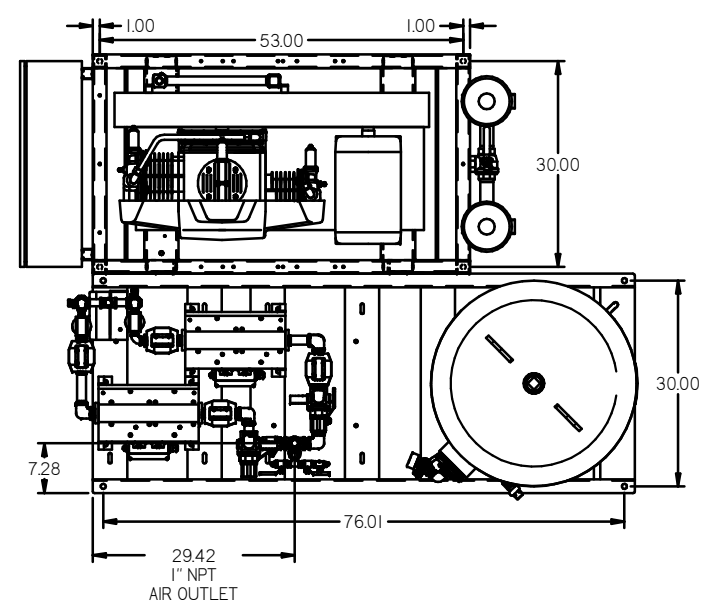
LEGEND

	RELIEF VALVE		PRESSURE SWITCH
	INTAKE FILTER		REGULATOR
	AIR FILTER		SEPARATOR
	3 WAY VALVE		CHECK VALVE
	CARBON FILTER		FLEX LINE
	BALL VALVE		HIGH TEMP SWITCH
	SOLENOID VALVE		UNION

NOTES:
 1) IF RESERVE COMPRESSOR IS ENERGIZED ALARM WILL OCCUR.
 2) PIPING TO THE INLET BY OTHERS AND TO BE PER NFPA99
 3) INSTRUMENTS DOWN STREAM OF SOURCE VALVE TO BE SUPPLIED BY OTHERS.

TOLERANCES NOT SPECIFIED XX ± .001 XXX ± .0005 Z Dec 1/2	AUTOCAD REL2000.1 INCH	DO NOT SCALE DRAWING FOR DIMENSIONS Sheet 2 of 2 SCALE 1:14
CONFIDENTIAL DISCLOSURE This drawing is the property of the POWEREX, Inc. or the SCOTT FLETCHER COMPANY and subject to return on demand. Its contents are confidential and must not be copied or submitted to outside parties for use or reproduction.		DRAWN BY: RSN CHECKED BY: GES APPROVED BY: DMS, JJ 04/25/06 7/25/06 7/25/06
MATERIAL: N/A PART NAME: 15HP, MED. PACKAGE FLOW SCHEMATIC		 DWG NO: MPD1508 SIZE: D

REV	ZONE	REVISION	DATE	ECN	NAME	CHKD
1	ALL	ISSUED FROM SHEETS	11/21/11	00000	AEK	GES
P-1	2 ALL	UPDATED/ADDED FLEX LINES	12/11/12	PXC0009	AEK	DMS
Q-1	2 DA	ADDED SHAMBER VALVE	8/28/13	PXC0030	AEK	GES
R-1	2 DA	REMOVED SHAMBER VALVE	01/29/16	PXC0033	MJD	AEK
S	ALL	CHANGED TO PRESET ORDER, MARGINATION TIME UPDATED TO 10, BORDER SCALE IS 10:11	7/23/19	PXC00009	GES	MWH

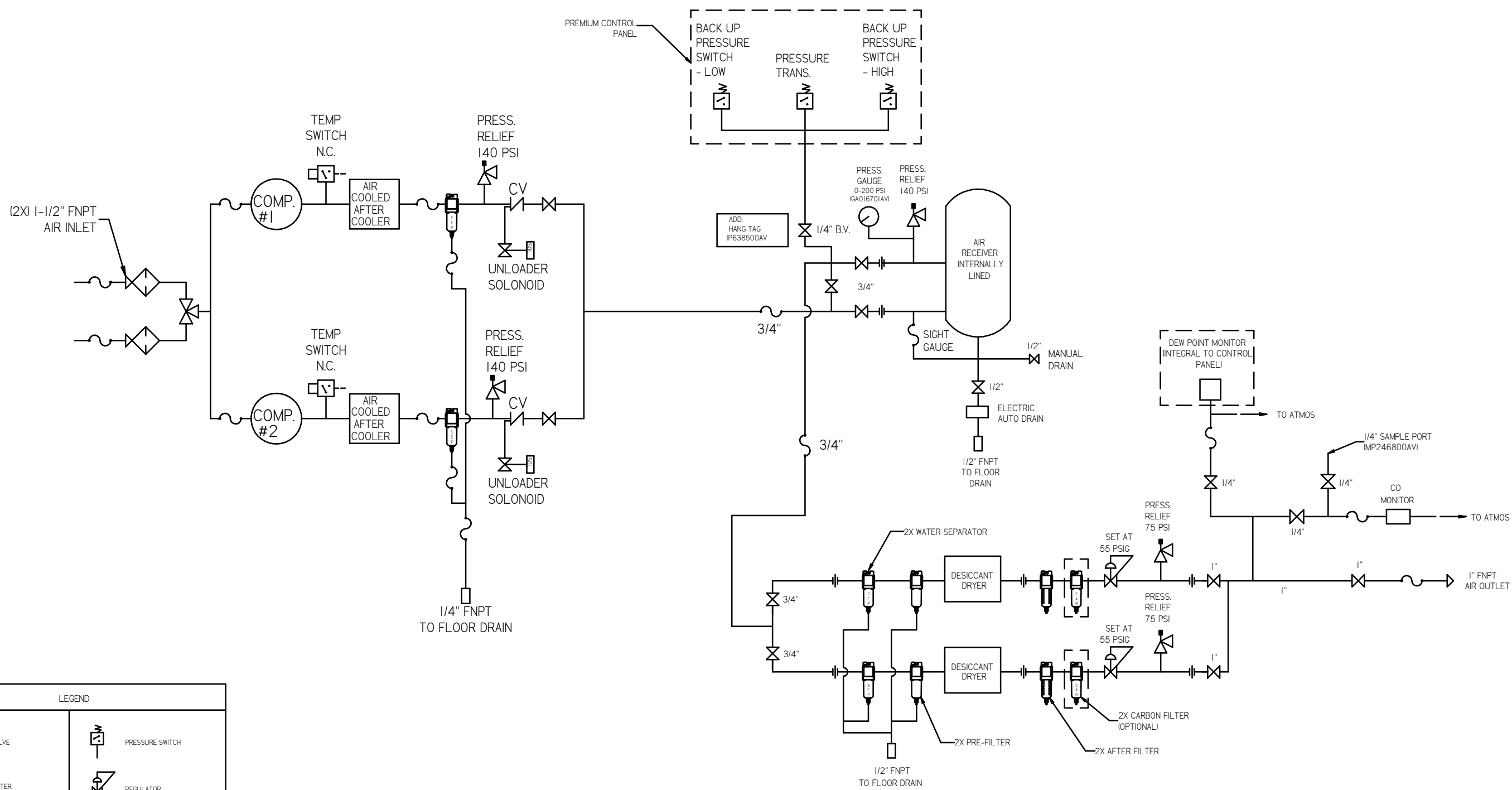


NOTE: A MINIMUM OF 24" CLEARANCE IS RECOMMENDED AROUND THE ENTIRE UNIT.

NOTE: SYSTEM DESIGNED IN COMPLIANCE WITH U.S. NFPA '99, LATEST EDITION.

PREL LEGEND ⊖ = MINUS DRAFT ⊕ = PLUS DRAFT ⊕ = ADDITIONAL CONTROL REQ'D ⊕ = BRINELL HARDNESS		Drawings to conform to the current revision of the following ANSI standards: Y14.3 Multi and sectional view deqs. Y14.9 Dimensioning and tolerancing
TOLERANCES NOT SPECIFIED: XX ± .001 YYY ± .002 Z (DEG.) ± .005	AUTOCAD RELEASED LT INCH	DO NOT SCALE DRAWING FOR DIMENSIONS Sheet 1 of 2 SCALE 1:14
CONFIDENTIAL DISCLOSURE This drawing is the property of the POWEREX INC. or the SCOTT FEITZER COMPANY and subject to return or demand. Its contents are confidential and must not be copied or submitted to outside parties for use or examination.		DRAWN BY: AEK CHECKED BY: GES APPROVED BY: DMS, RJR 9/21/11, 9/21/11, 9/21/11, 9/21/11
MATERIAL: N/A PART NAME: DUPLEX OILLESS 15HP, 200GAL. BASEMOUNT DUPLEX DESICCANT		POWEREX 155 PRODUCTION DRIVE, HARRISBURG, OHIO 45030 TEL: 766-769-7979 FAX: 766-769-7979
DWG NO: MPD1508		SIZE: D

REV	ZONE	REVISION	DATE	ECN	NAME	CHKD
1	ALL	ADDED P&ID SHEETS	9/21/11	20609	AEK	GES
2	ALL	UPDATED FLEX LINES	12/10/12	PXC0009	AEK	DMS
3	204	ADDED SHUBBER VALVE	8/29/13	PXC0030	AEK	GES
4	204	REMOVED SHUBBER VALVE	9/10/16	PXC0133	NLD	AEK
5	ALL	CHANGED TO TRUCK DRIVE, W/SHUTTER TAN, UPDATED TO 1/2" BRASS SOLEIL TO 1/4"	7/23/19	PXC02029	GES	MWH



LEGEND	
	RELIEF VALVE
	INTAKE FILTER
	AIR FILTER
	3 WAY VALVE
	CARBON FILTER
	BALL VALVE
	SOLENOID VALVE
	PRESSURE SWITCH
	REGULATOR
	SEPARATOR
	CHECK VALVE
	FLEX LINE
	HIGH TEMP SWITCH
	UNION

NOTES:
 1) IF RESERVE COMPRESSOR IS ENERGIZED ALARM WILL OCCUR.
 2) PIPING TO THE INLET BY OTHERS AND TO BE PER NFPA99
 3) INSTRUMENTS DOWN STREAM OF SOURCE VALVE TO BE SUPPLIED BY OTHERS.

MINUS DRAFT PLUS DRAFT TOLERANCES NOT SPECIFIED XX ± XXX ± Z DEC ±	AUTOCAD REL2008 LT INCH DO NOT SCALE DRAWING FOR DIMENSIONS Sheet 2 of 2 SCALE 1:14 DRWN BY AEK CHECKED BY GES APPROVED BY DMS RJR 9/21/11 9/21/11 9/21/11 9/21/11 MATERIAL N/A PART NAME 15HP. MED. PACKAGE FLOW SCHEMATIC DWG NO MPD1508 SIZE D	ADDITIONAL CONTROL REQ'D BRINELL HARDNESS Drawings to conform to the current revision of the following ANSI standards: Y14.3 (Mech) and sections: view, dim, Y14.9M (Dimensioning and tolerancing)
---	--	---