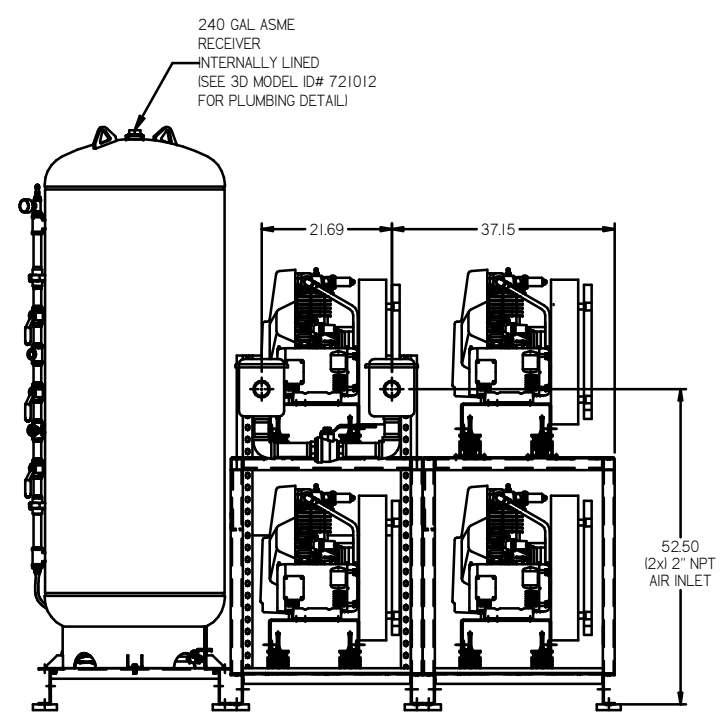
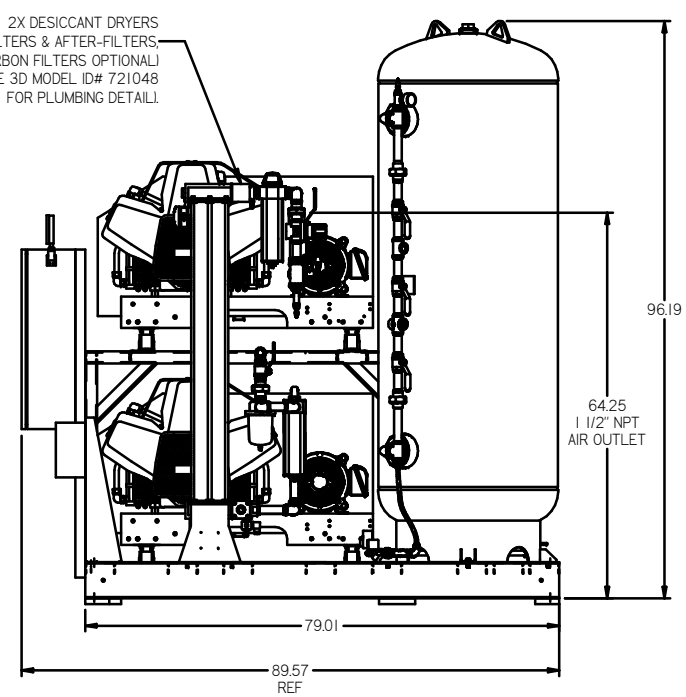
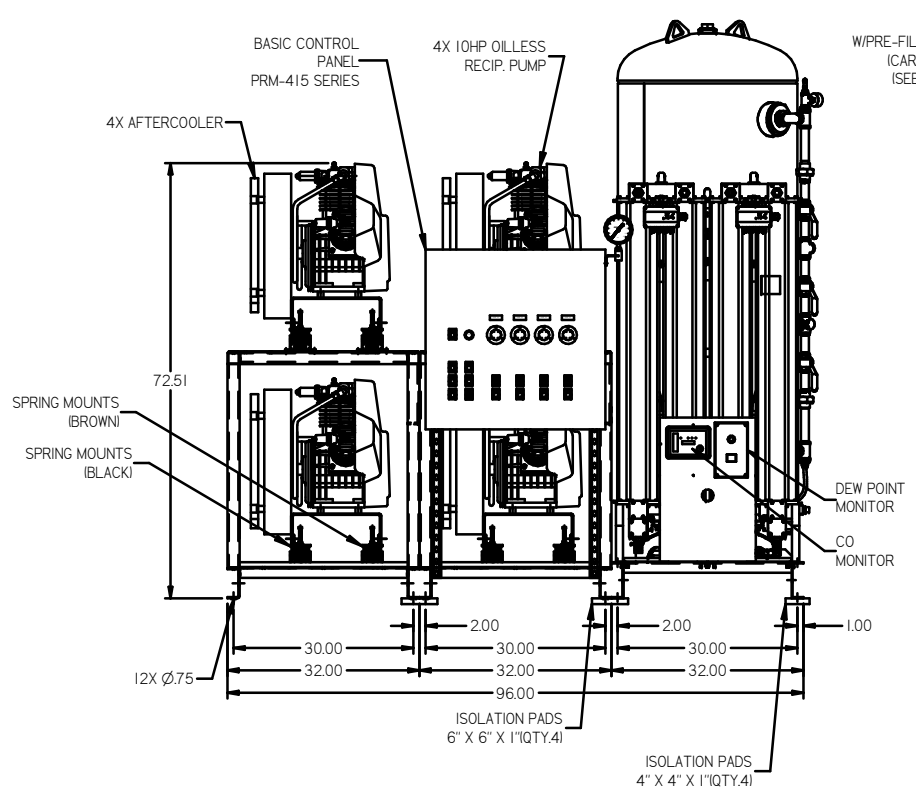
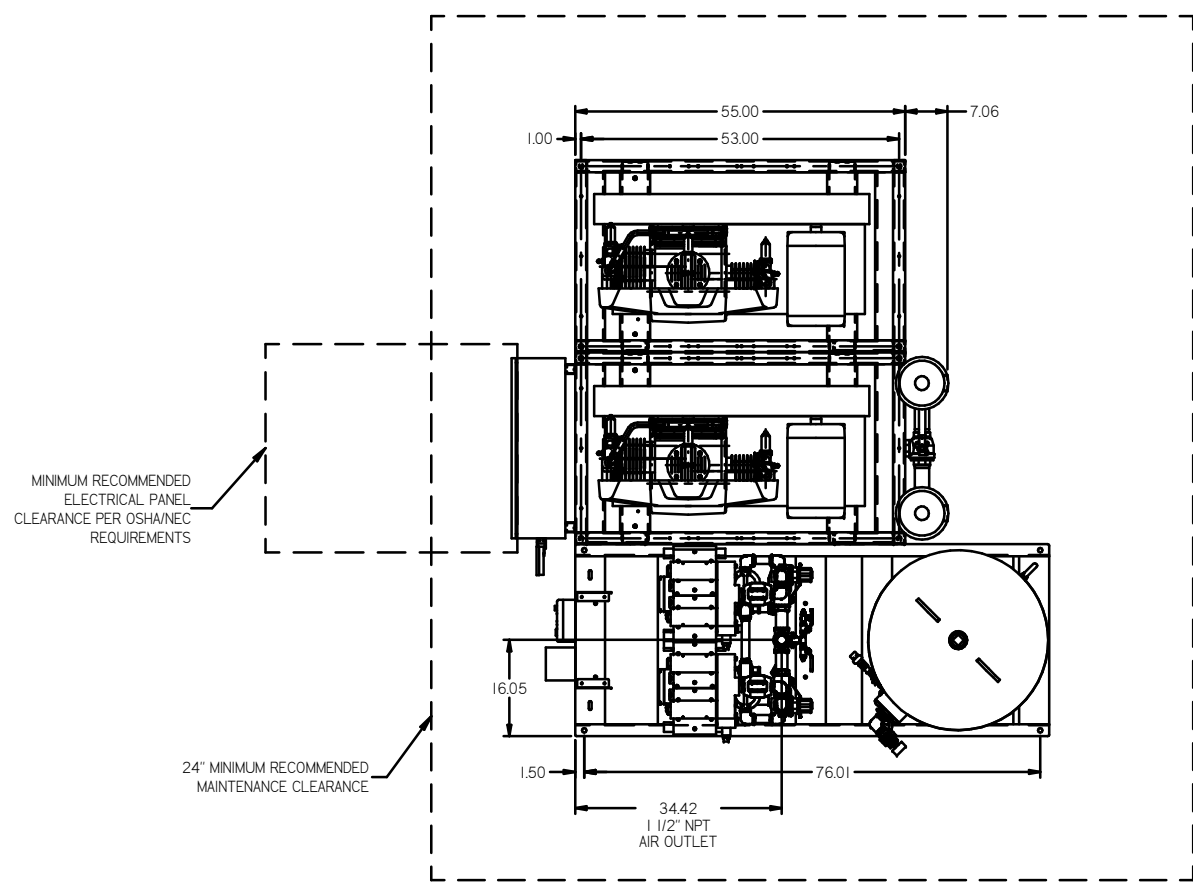
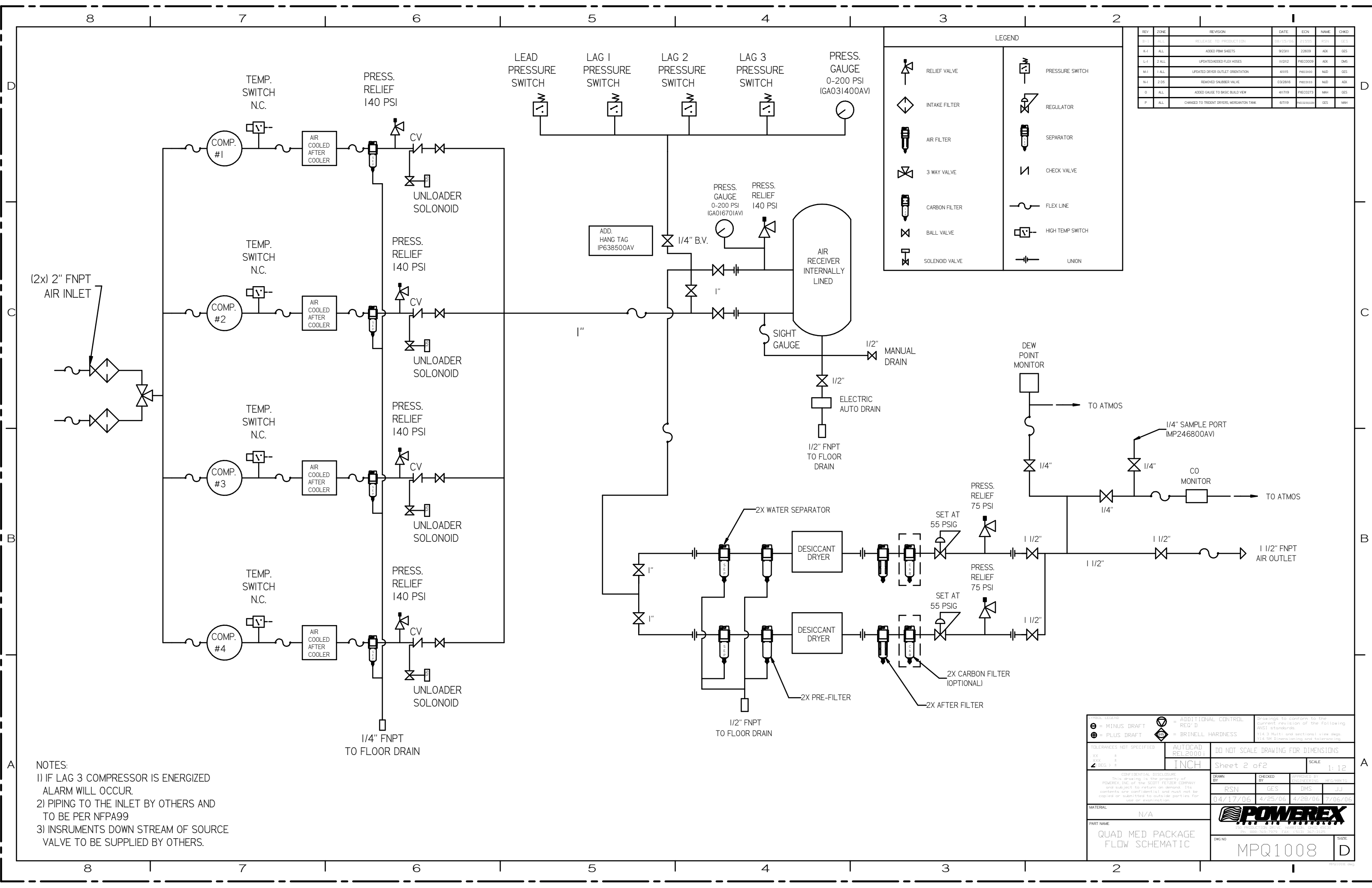


REV	ZONE	REVISION	DATE	ECN	NAME	CHKD
B	ALL	RELEASED TO PRODUCT USE	06/15/06	013035	RSN	GES
K-1	ALL	ADDED PRM SHEETS	09/28/01	22809	AEK	GES
L-1	2 ALL	UPGRADED FLEX HOSES	02/02	PRE0009	AEK	DMS
M-1	1 ALL	UPDATED DRYER OUTLET ORIENTATION	4/8/05	PRE0100	MJD	GES
N-1	2 DS	REMOVED GAUGE VALVE	03/28/06	PRE0133	MJD	AEK
O	ALL	ADDED GAUGE TO BASIC BUILD VIEW	4/17/09	PRE0223	MHJ	GES
P	ALL	CHANGED TO TRIDENT DRYERS, MORGANTON TANK	07/09	00000109	GES	MHJ



NOTE: SYSTEM DESIGNED IN COMPLIANCE WITH U.S. NFPA '99, LATEST EDITION.

<b>THIRD ANGLE</b> ○ = MINUS DRAFT ⊕ = PLUS DRAFT H = HARDNESS	= ADDITIONAL CONTROL REQ'D = BRINELL HARDNESS	Drawings to conform to the current revision of the following ANSI standards: Y14.2 Multi and sectional view dgs. Y14.3 Dimensioning and tolerancing
TOLERANCES NOT SPECIFIED XX ± XY ± Z (DEC.) ±	AUTOCAD REL2000	DO NOT SCALE DRAWING FOR DIMENSIONS Sheet 1 of 2 SCALE 1:12
CONFIDENTIAL DISCLOSURE This drawing is the property of POWEREX, INC. or THE SCOTT FETZER COMPANY and is subject to return or demand. Its contents are confidential and must not be copied or submitted to outside parties for use or examination.		DRAWN BY: RSN CHECKED BY: GES APPROVED BY: DMS, JJ 04/17/06, 4/25/06, 4/28/06, 7/06/06
MATERIAL: N/A		<b>POWEREX</b> THE SCOTT FETZER COMPANY 10000 W. 100TH AVENUE, SUITE 100 GOLDEN, CO 80401
PART NAME: QUADPLEX OILLESS RECIP. 10HP, 240GAL. BASEMOUNT DUPLEX DESICCANT		DWG NO: MPQ1008 SIZE: D



REV	ZONE	REVISION	DATE	ECN	NAME	CHKD
0	ALL	RELEASE TO PRODUCTION	8/15/06	01209	GES	GES
K-1	ALL	ADDED P&ID SHEETS	9/23/11	22609	AKX	GES
L-1	2	UPDATED/ADDED FLEX HOSES	11/21/12	PRE0009	AKX	DMS
M-1	1	UPDATED DRYER OUTLET ORIENTATION	4/4/15	PRE0005	MJD	GES
N-1	2	REMOVED SHUTTER VALVE	03/28/16	PRE0033	MJD	AKX
O	ALL	ADDED GAUGE TO BASIC BUILD VIEW	4/7/19	PRE00273	MMH	GES
P	ALL	CHANGED TO TRODENT DRYERS, MORGANTON TANK	6/7/19	PRE00608	GES	MMH

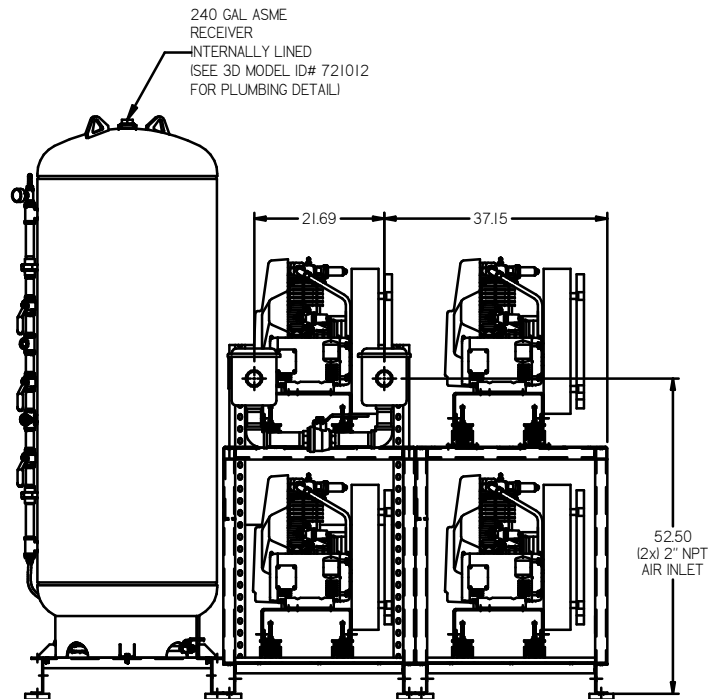
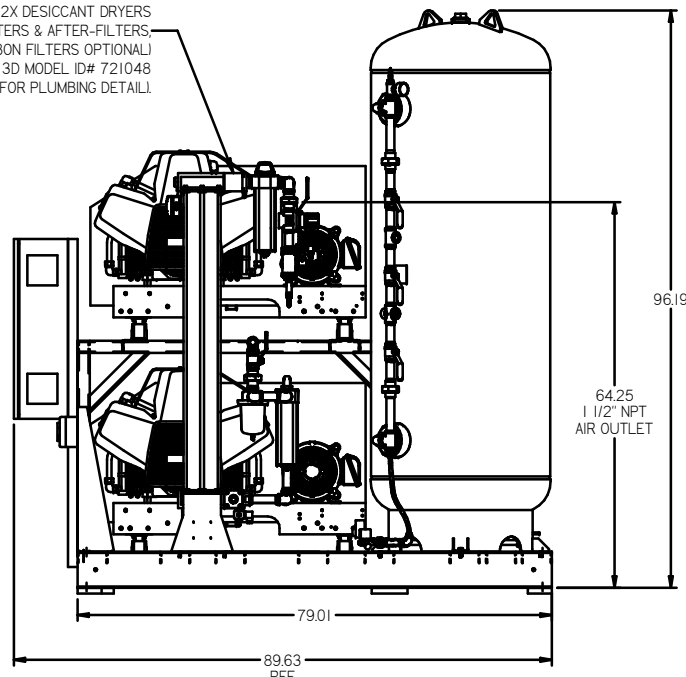
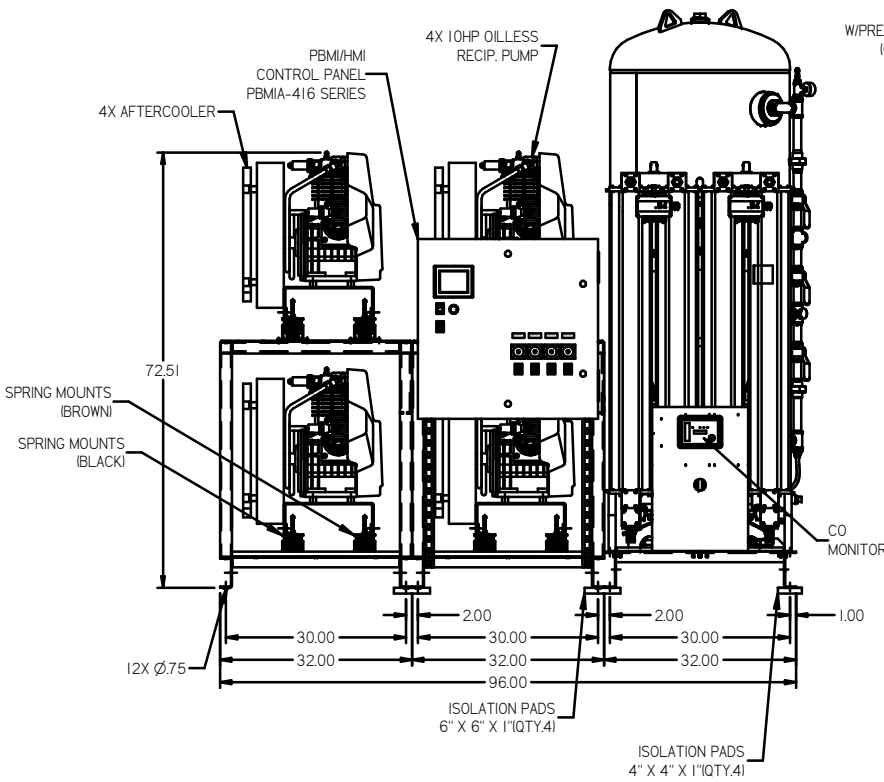
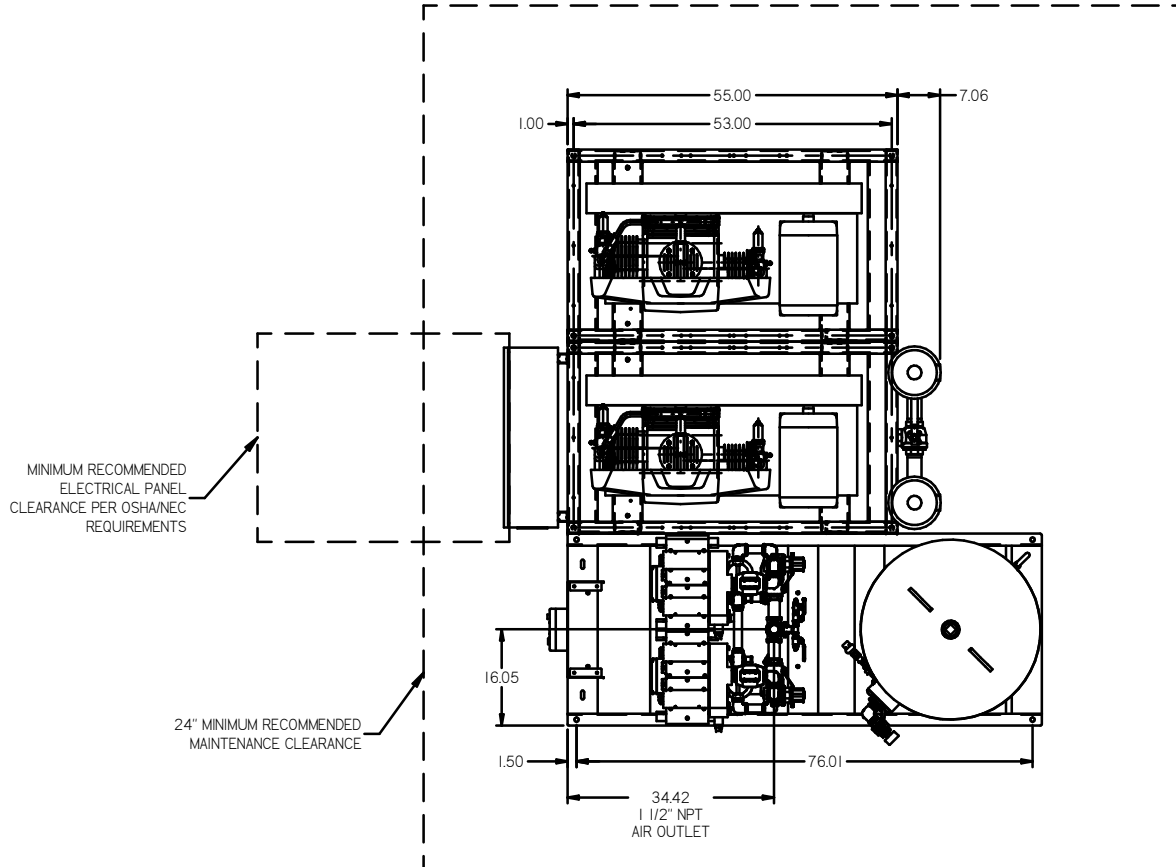
LEGEND

	RELIEF VALVE		PRESSURE SWITCH
	INTAKE FILTER		REGULATOR
	AIR FILTER		SEPARATOR
	3 WAY VALVE		CHECK VALVE
	CARBON FILTER		FLEX LINE
	BALL VALVE		HIGH TEMP SWITCH
	SOLENOID VALVE		UNION

- NOTES:
- 1) IF LAG 3 COMPRESSOR IS ENERGIZED ALARM WILL OCCUR.
  - 2) PIPING TO THE INLET BY OTHERS AND TO BE PER NFPA99
  - 3) INSTRUMENTS DOWN STREAM OF SOURCE VALVE TO BE SUPPLIED BY OTHERS.

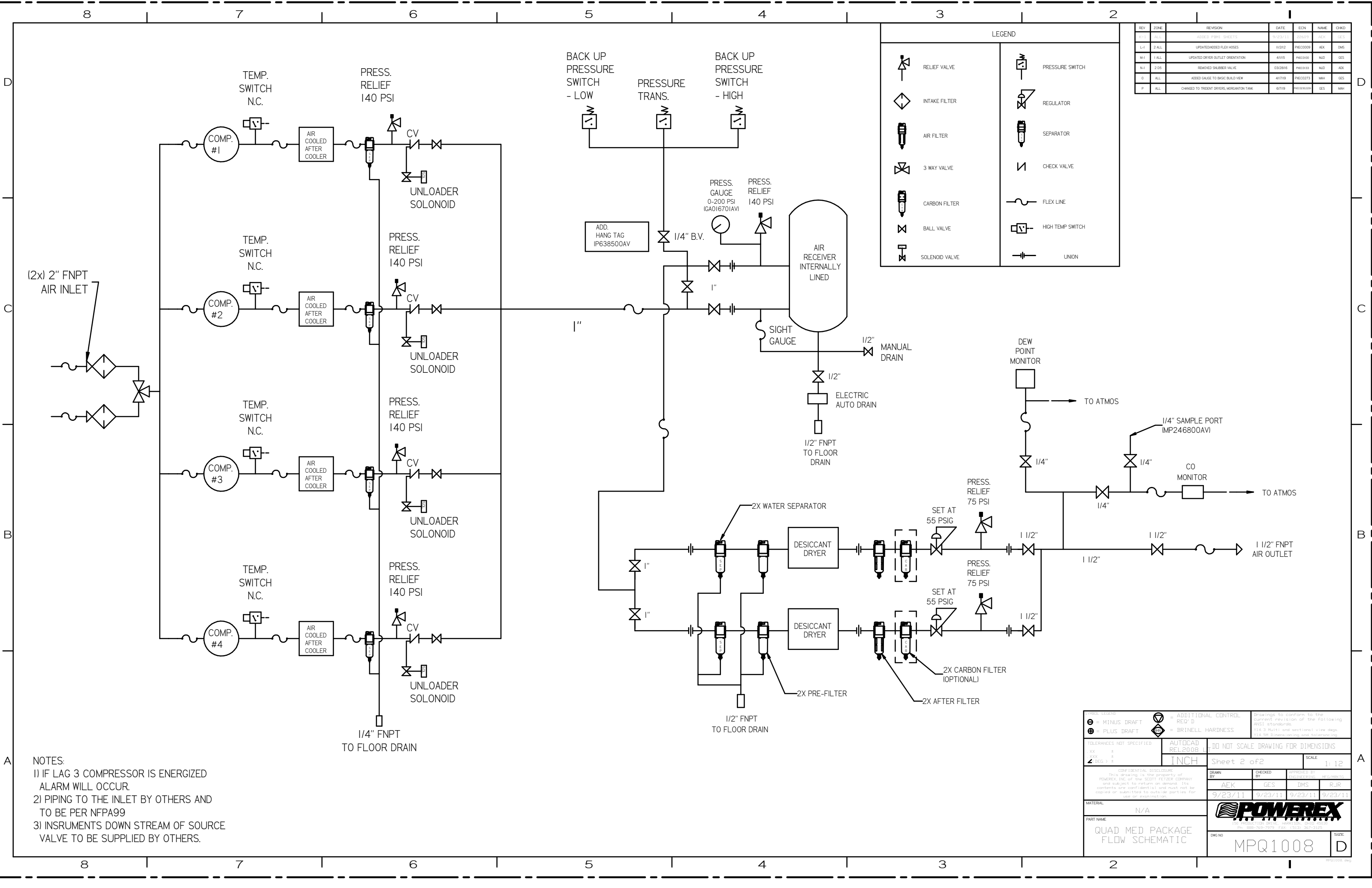
<p>MINUS DRAFT</p> <p>PLUS DRAFT</p> <p>ADDITIONAL CONTROL REQ'D</p> <p>BRINELL HARDNESS</p>	<p>AUTOCAD REL2000</p> <p>INCH</p> <p>DO NOT SCALE DRAWING FOR DIMENSIONS</p> <p>Sheet 2 of 2</p> <p>SCALE 1:12</p>
<p>TOLERANCES NOT SPECIFIED</p> <p>XX ±</p> <p>XX DEG ±</p>	<p>DRWN BY RSN</p> <p>CHEKED BY GES</p> <p>APPROVED BY DMS</p> <p>DATE 04/17/06</p> <p>DATE 4/25/06</p> <p>DATE 4/28/06</p> <p>DATE 7/06/06</p>
<p>MATERIAL N/A</p> <p>PART NAME QUAD MED PACKAGE FLOW SCHEMATIC</p>	<p><b>POWEREX</b></p> <p>150 PRODUCTION DRIVE, HARRISBURG, OHIO 45630</p> <p>PH: 688-763-7075 FAX: 613-362-3105</p> <p>DWG NO MPQ1008</p> <p>SIZE D</p>

REV	ZONE	REVISION	DATE	EDN	NAME	CHKD
N-1	ALL	ADDED P&ID SHEETS	9/23/11	02603	AEK	GES
L-1	2 ALL	UPDATED HOSE FLEX HOSES	10/2/12	PREC0009	AEK	DMS
M-1	1 ALL	UPDATED DRIVER OUTLET ORIENTATION	4/16/5	PREC0101	MJD	GES
N-1	2 05	REMOVED SHLEBER VALVE	03/28/15	PREC0131	MJD	AEK
O	ALL	ADDED GAUGE TO BASIC BUILD VIEW	4/17/19	PREC0273	MWH	GES
P	ALL	CHANGED TO TRENT DRIVERS MOUNTAIN TANK	6/7/19	PREC0309	GES	MWH



NOTE: SYSTEM DESIGNED IN COMPLIANCE WITH U.S. NFPA '99, LATEST EDITION.

MINUS DRAFT PLUS DRAFT ADDITIONAL CONTROL RED 'D' BRINELL HARDNESS	Drawings to conform to the current revision of the following AWS standards: 114.3 Multi and sectional view 114.5M Dimensioning and tolerancing
TOLERANCES NOT SPECIFIED XX ± XXX ± Δ (REG.) ±	AUTOCAD REL2008 INCH DO NOT SCALE DRAWING FOR DIMENSIONS Sheet 1 of 2 SCALE 1:12
CONFIDENTIAL DISCLOSURE This drawing is the property of POWEREX, INC. of the SCOTT FETZER COMPANY and subject to return on demand. Its contents are confidential and must not be copied or submitted to outside parties for use or reproduction.	DRAWN BY: AEK CHECKED BY: GES, DMS, RJR APPROVED BY: [Signature] 9/23/11 9/23/11 9/23/11 9/23/11
MATERIAL: N/A PART NAME: QUADPLEX OILLESS RECIP. 10HP, 240GAL. BASEMOUNT DUPLEX DESICCANT DWG NO: MPQ1008 SIZE: D	 PH: 888-769-7979 FAX: (513) 367-3125



LEGEND

	RELIEF VALVE		PRESSURE SWITCH
	INTAKE FILTER		REGULATOR
	AIR FILTER		SEPARATOR
	3 WAY VALVE		CHECK VALVE
	CARBON FILTER		FLEX LINE
	BALL VALVE		HIGH TEMP SWITCH
	SOLENOID VALVE		UNION

REV	ZONE	REVISION	DATE	EDN	NAME	CHKD
1-1	ALL	ADDED P&HS SHEETS	9/23/11	02603	AEK	GES
1-1	3 ALL	UPDATED/ADDED FLEX HOSES	11/2/12	PRE0009	AEK	DMS
1-1	1 ALL	UPDATED DRYER OUTLET ORIENTATION	4/1/15	PRE0190	MJD	GES
1-1	2 DS	REMOVED SHLEBER VALVE	03/28/16	PRE0193	MJD	AEK
0	ALL	ADDED GAUGE TO BASIC BUILD VIEW	4/17/15	PRE02273	MH	GES
P	ALL	CHANGED TO TRIDENT DRYERS, MORGANTON TANK	6/7/19	PRE02609	GES	MH

NOTES:  
 1) IF LAG 3 COMPRESSOR IS ENERGIZED ALARM WILL OCCUR.  
 2) PIPING TO THE INLET BY OTHERS AND TO BE PER NFPA99  
 3) INSTRUMENTS DOWN STREAM OF SOURCE VALVE TO BE SUPPLIED BY OTHERS.

TOLERANCES NOT SPECIFIED XX ± .005 YY ± .010 ZZ ± .015	AUTOCAD REL2008 L	DO NOT SCALE DRAWING FOR DIMENSIONS
INCH	Sheet 2 of 2	SCALE 1:12
CONFIDENTIAL DISCLOSURE This drawing is the property of POWEREX, INC. of the SCOTT FEYSER COMPANY and subject to return on demand. Its contents are confidential and must not be copied or submitted to outside parties for use or reproduction.		
DRAWN BY: AEK CHECKED BY: GES 9/23/11	DESIGNED BY: DMS 9/23/11	APPROVED BY: RJR 9/23/11
MATERIAL: N/A		
PART NAME: QUAD MED PACKAGE FLOW SCHEMATIC		
DWG NO: MPQ1008		SIZE: D