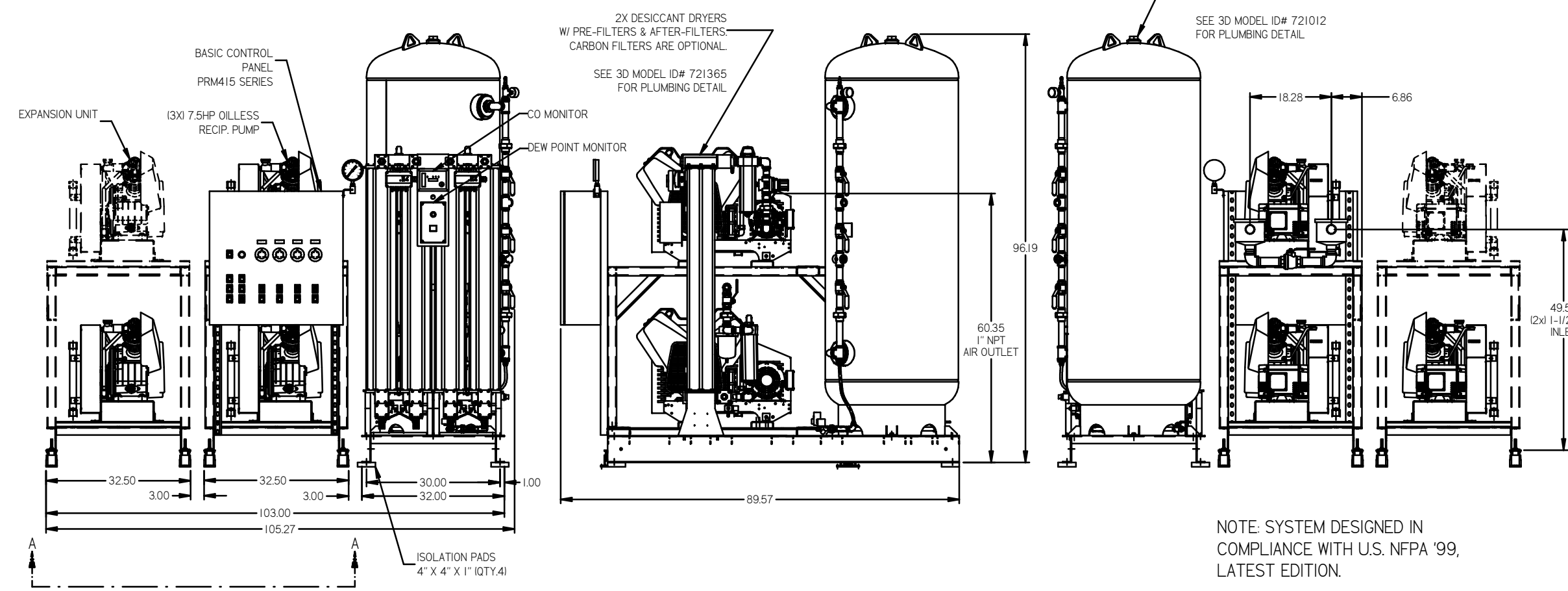
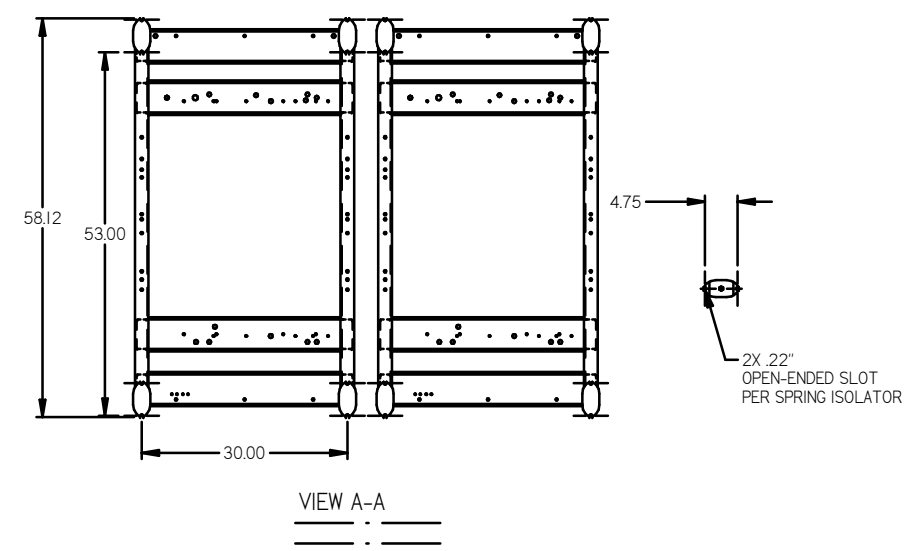
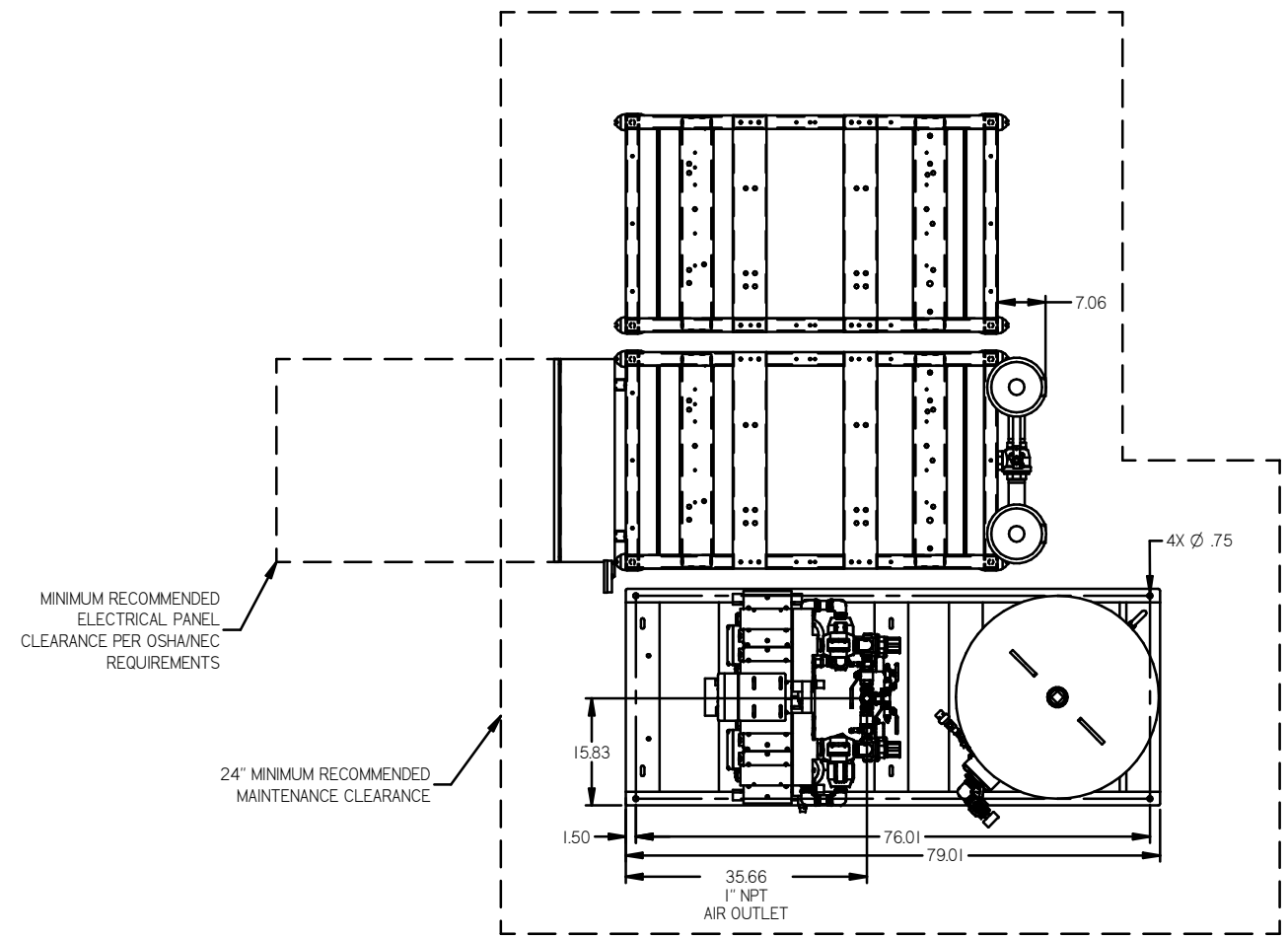


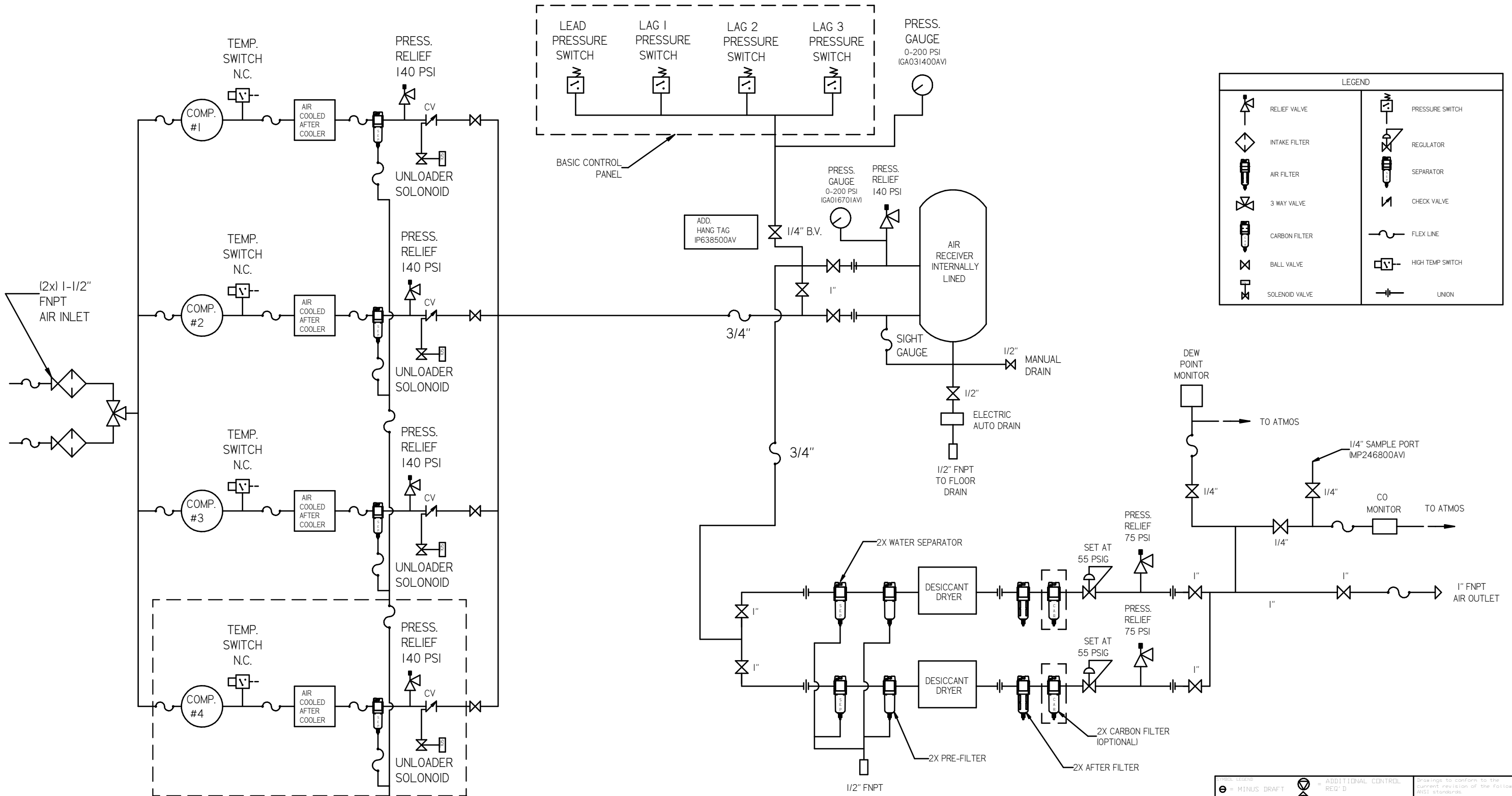
REV	DATE	BY	CHKD
A	9/20/19	RES	RES



NOTE: SYSTEM DESIGNED IN COMPLIANCE WITH U.S. NFPA '99, LATEST EDITION.

TOLERANCES NOT SPECIFIED XX ± .01 XXX ± .005 2 DEC 1 ± .001	AUTOCAD SE10 INCH	DO NOT SCALE DRAWING FOR DIMENSIONS Sheet 1 of 2 SCALE 1:14
CONFIDENTIAL DISCLOSURE This drawing is the property of POWEREX, INC. of the SCOTT FETZER COMPANY and subject to return on demand. Its contents are confidential and must not be copied or submitted to outside parties for use or examination.	DRAWN BY: GES CHECKED BY: MAH 9/20/19	APPROVED BY: RES 9/20/19 POWEREX 14000 S. 140TH ST. SUITE 100 TOLSON, OHIO 43085-1000 (614) 885-1000 WWW.POWEREX.COM
PART NAME: MED PKG TRIPLEX-EX4 7.5HP 240GAL BASEMOUNT DUPLEX DESICCANT	DWG NO: MPT0608-EX4	SIZE: D

REV	ZONE	REVISION	DATE	ECN	NAME	CHKD
A	ALL	RELEASE TO PRODUCTION	11/20/19		GES	MAH

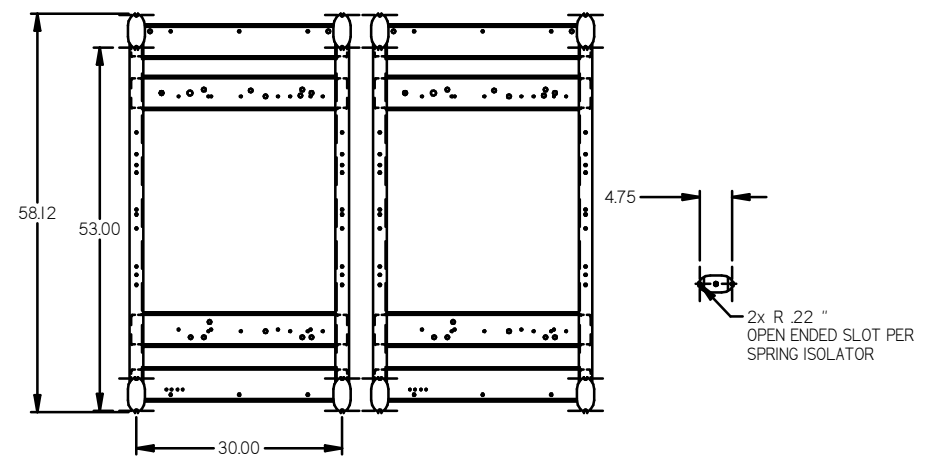
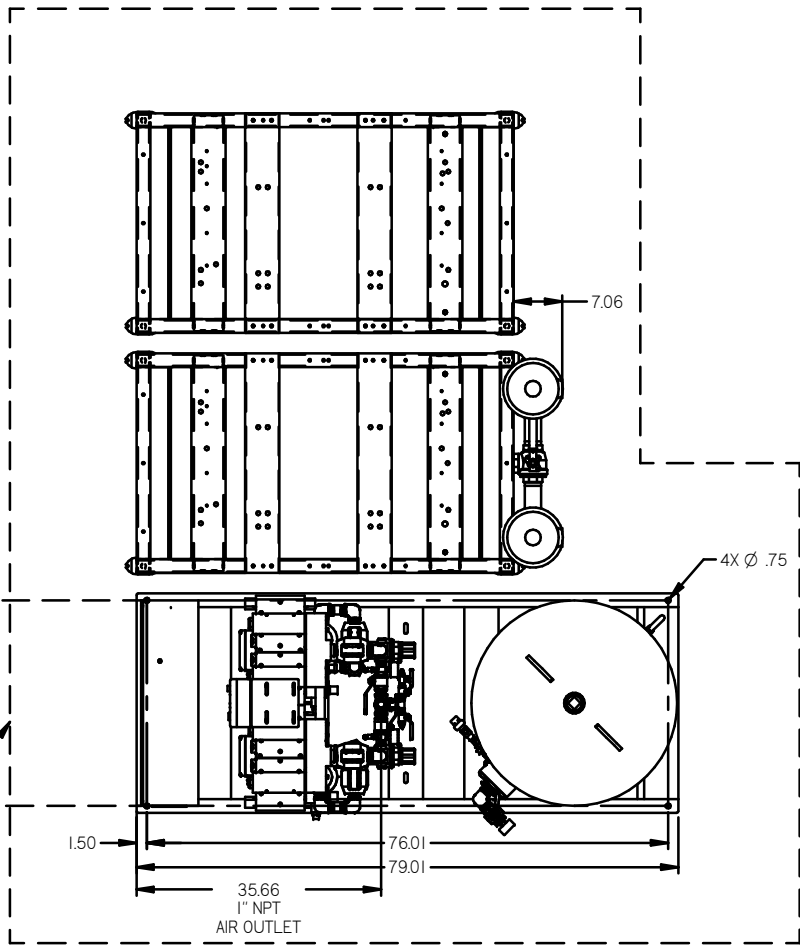


LEGEND	
	RELIEF VALVE
	INTAKE FILTER
	AIR FILTER
	3 WAY VALVE
	CARBON FILTER
	BALL VALVE
	SOLENOID VALVE
	PRESSURE SWITCH
	REGULATOR
	SEPARATOR
	CHECK VALVE
	FLEX LINE
	HIGH TEMP SWITCH
	UNION

- NOTES:
- 1) IF RESERVE COMPRESSOR IS ENERGIZED ALARM WILL OCCUR.
 - 2) PIPING TO THE INLET BY OTHERS AND TO BE PER NFPA99
 - 3) INSTRUMENTS DOWN STREAM OF SOURCE VALVE TO BE SUPPLIED BY OTHERS.

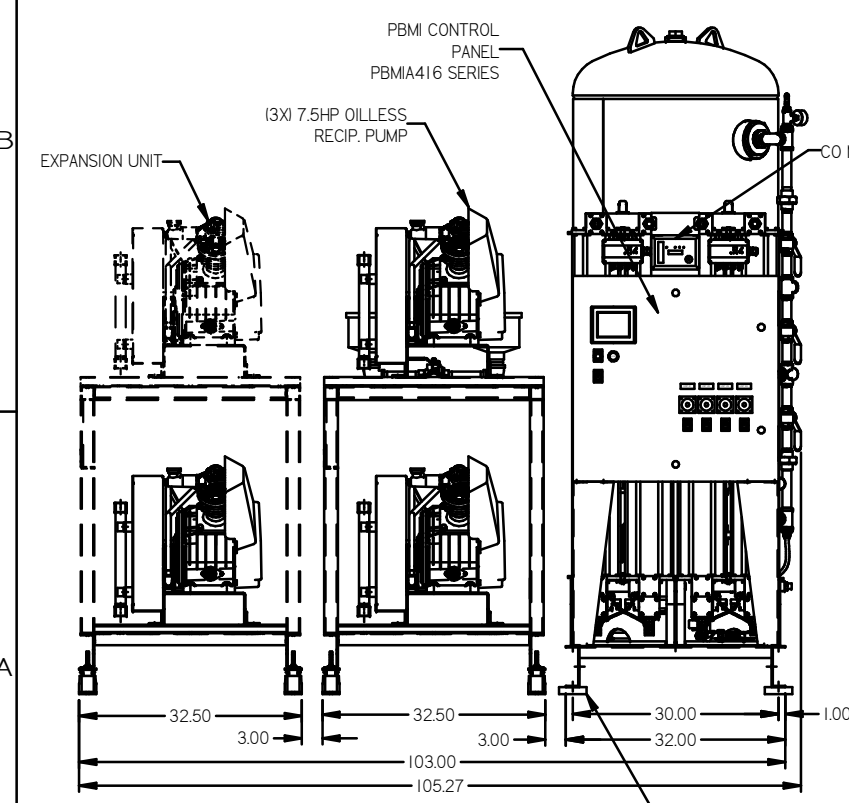
DIMENSIONS NOT SPECIFIED XX = # XXX = # < DEG. > = #	AUTOCAD SE10 INCH	DO NOT SCALE DRAWING FOR DIMENSIONS Sheet 2 of 2 SCALE 1:14
CONFIDENTIAL DISCLOSURE This drawing is the property of POWEREX, Inc. of the SCOTT FETZER COMPANY and subject to return on demand. Its contents are confidential and must not be copied or submitted to outside parties for use or reproduction.		
MATERIAL N/A PART NAME MED PKG TRIPLEX-EX4 FLOW SCHEMATIC BASIC PANEL		DRAWN BY: GES CHECKED BY: MAH APPROVED BY: GES, CT 9/20/19, 9/20/19, 9/20/19, 9/20/19 100 HERRING ROAD, SUITE 100 P.O. BOX 769-7979 FAX: (513) 367-3125 DWG NO: MPT0608-EX4 SIZE: D

REV	ZONE	REVISION	DATE	EN	NAME	CHKD
1		RELEASE TO PRODUCTION	9/20/19	RES	RES	RES



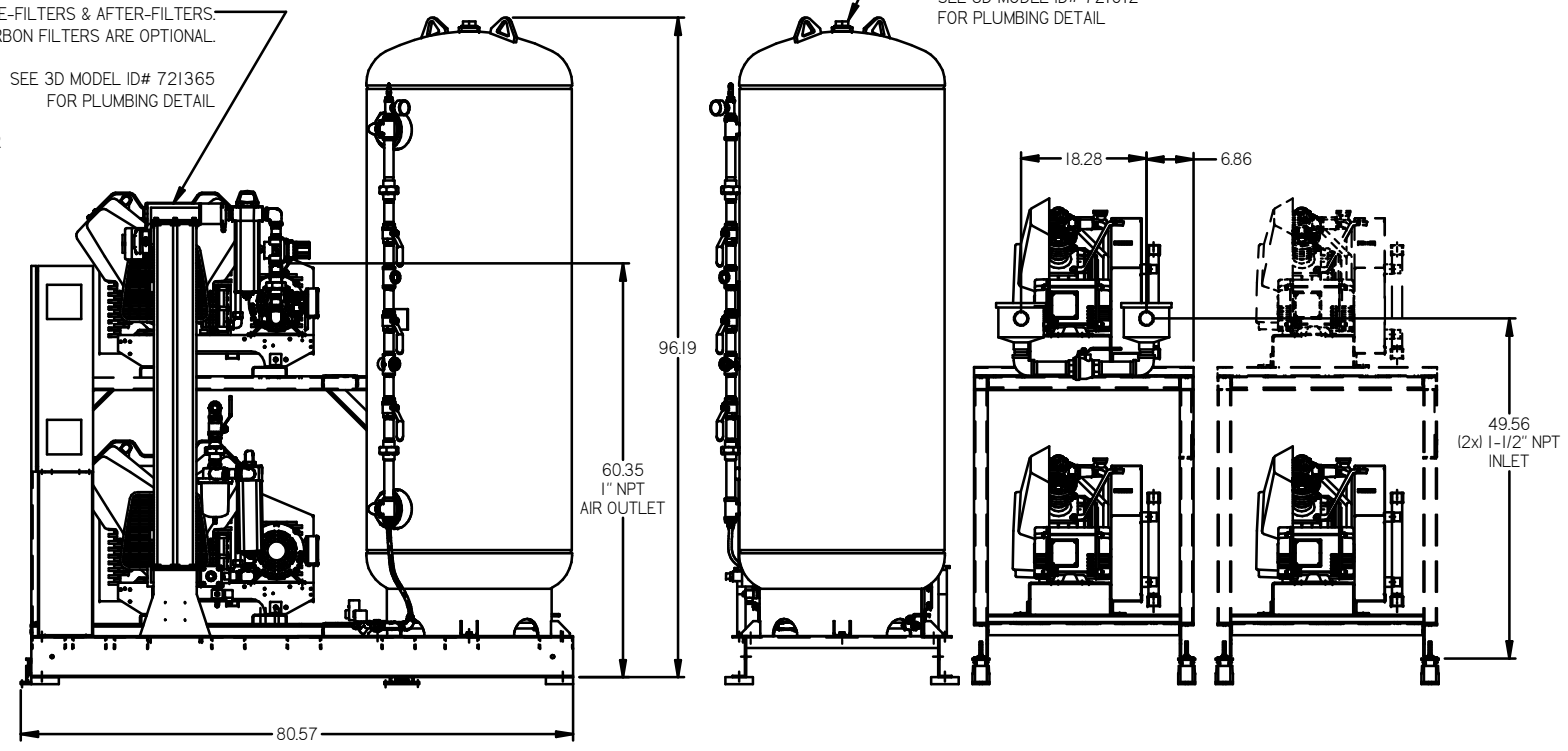
VIEW A-A

MINIMUM RECOMMENDED ELECTRICAL PANEL CLEARANCE PER OSHA REQUIREMENTS



2X DESICCANT DRYERS W/ PRE-FILTERS & AFTER-FILTERS. CARBON FILTERS ARE OPTIONAL. SEE 3D MODEL ID# 721365 FOR PLUMBING DETAIL

240GAL ASME RECEIVER INTERNALLY LINED. SEE 3D MODEL ID# 721012 FOR PLUMBING DETAIL



NOTE: SYSTEM DESIGNED IN COMPLIANCE WITH U.S. NFPA '99, LATEST EDITION.

DIMENSIONS NOT SPECIFIED XX ± XXX ± Z (NEG.) ±	AUTOCAD 3610 INCH	DO NOT SCALE DRAWING FOR DIMENSIONS Sheet 1 of 2 SCALE 1:14
MATERIAL N/A	PART NAME MED PKG TRIPLEX-EX4 7.5HP 240GAL BASEMOUNT DUPLEX DESICCANT	 150 PRODUCTION DRIVE, WARRINGTON, VA 22090 PH: 888-768-7779 FAX: 434-327-3425 DWG NO. MPT0608-EX4 SIZE D

8 7 6 5 4 3 2 1

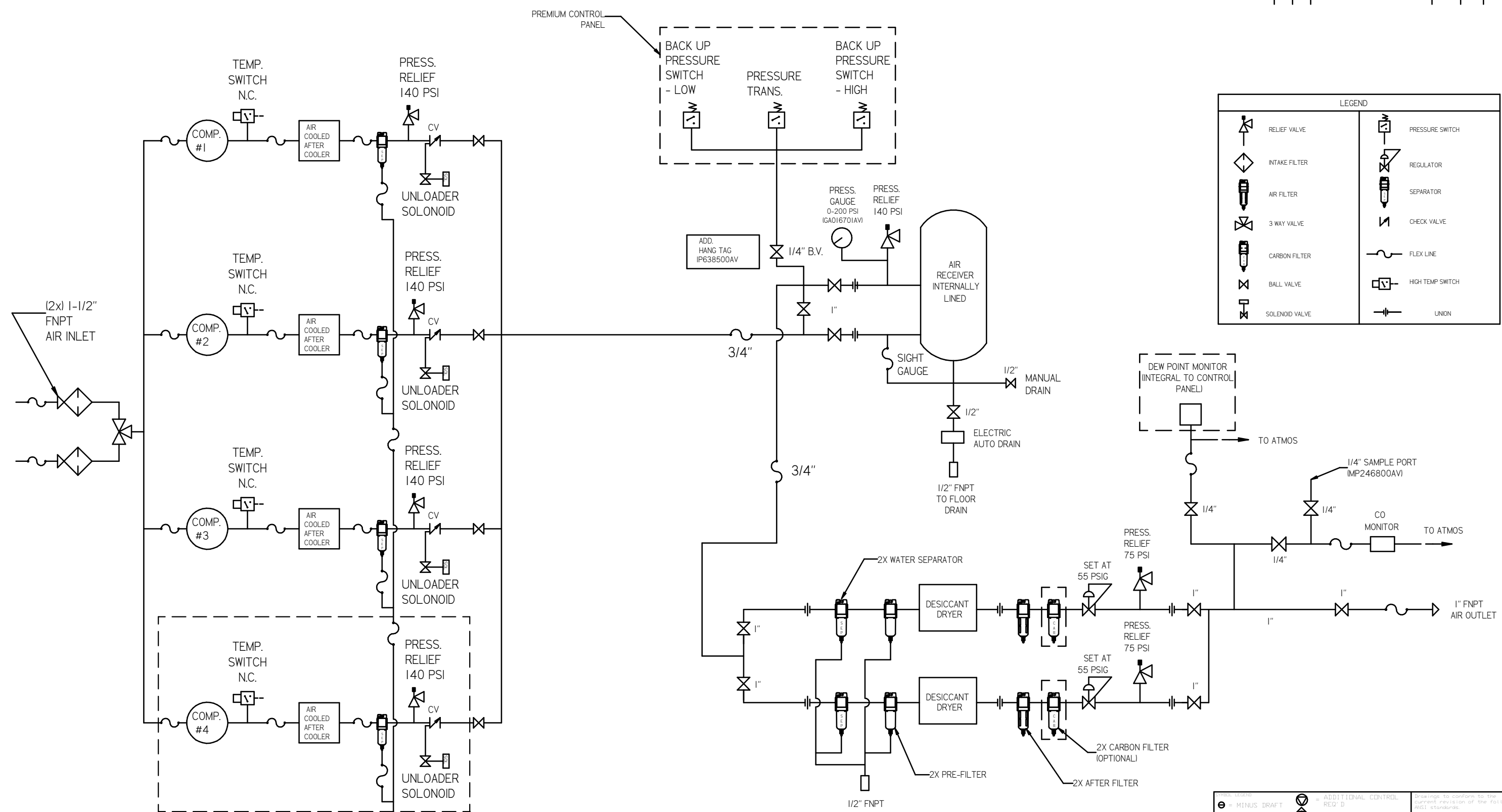
D
C
B
A

D
C
B
A

8 7 6 5 4 3 2 1

MPT0608-EX4.dwg

REV	ZONE	REVISION	DATE	BY	CHKD
A	ALL	RELEASE TO PRODUCTION	9/20/19	RES	MAH



LEGEND	
	RELIEF VALVE
	INTAKE FILTER
	AIR FILTER
	3 WAY VALVE
	CARBON FILTER
	BALL VALVE
	SOLENOID VALVE
	PRESSURE SWITCH
	REGULATOR
	SEPARATOR
	CHECK VALVE
	FLEX LINE
	HIGH TEMP SWITCH
	UNION

- NOTES:
- 1) IF RESERVE COMPRESSOR IS ENERGIZED ALARM WILL OCCUR.
 - 2) PIPING TO THE INLET BY OTHERS AND TO BE PER NFPA99
 - 3) INSTRUMENTS DOWN STREAM OF SOURCE VALVE TO BE SUPPLIED BY OTHERS.

TOLERANCES NOT SPECIFIED XX ± XXX ± .000 ±	AUTOCAD SET 10 INCH	DO NOT SCALE DRAWING FOR DIMENSIONS Sheet 2 of 2 SCALE 1:14
CONFIDENTIAL DISCLOSURE This drawing is the property of POWEREX, INC. of the SCOTT FELTZER COMPANY and subject to return on demand. Its contents are confidential and must not be copied or submitted to outside parties for use or reproduction.		
MATERIAL	N/A	 POWEREX, INC. 1000 W. WYOMING ST. SUITE 200 DENVER, CO 80202-3300
PART NAME	MED PKG TRIPLEX-EX4 FLOW SCHEMATIC PREMIUM PANEL	DWG NO MPT0608-EX4 SIZE D