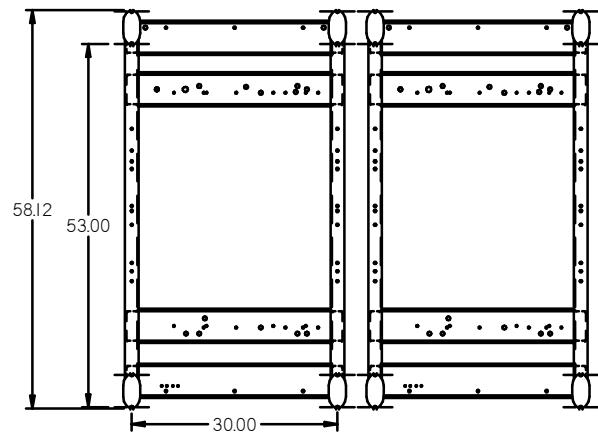
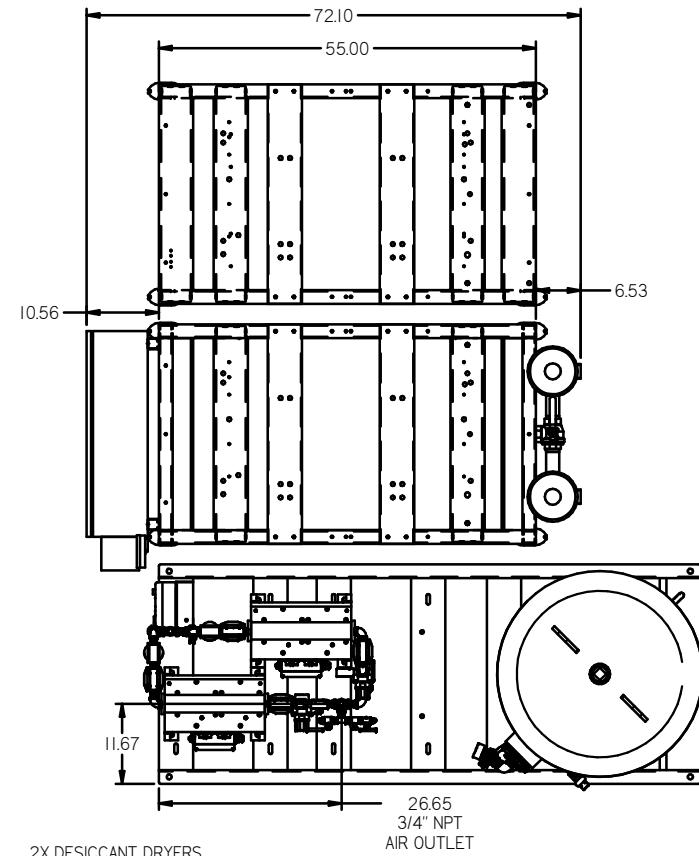


REV	ZONE	REVISION	DATE	ECN	NAME	CHKD
C-1	ALL	ADDED FBH1 SHEETS	10/19/11	22609	AEK	GES
D-1	ALL	CORRECTED RECEIVER TO 200 GALLON	2/8/12	22723	AEK	GES
E-1	ALL	REMOVED AFTERCOOLER BRACKETS	4/2/15	PHCC0093	MJD	GES
F-1	2 DS 2 CS	REMOVED SLUBBER VALVE CHANGED SENSING LOCATION	02/03/16	PHCC0133	MJD	AEK
G-1	ALL	CHANGED TO NEW 90 DESIGN	7/14/16	PHCC0132	AEK	GES
H	ALL	CHANGED TO TRENDS DRIVERS MORGAN TANK UPDATED TO TEM CENTER	7/31/19	PHCC0239	GES	MHA



VIEW A-A



200GAL ASME RECEIVER
INTERNALLY LINED
SEE 3D MODEL ID# 721887
FOR PLUMBING DETAIL

2X DESICCANT DRYERS
W/ PRE-FILTERS & AFTER-FILTERS
CARBON FILTERS ARE OPTIONAL.
SEE 3D MODEL ID# 722271
FOR PLUMBING DETAIL

BASIC CONTROL
PANEL
PRM315 SERIES

DEW POINT
MONITOR

CO MONITOR

13X 7.5HP OILLESS
RECIP PUMP

13X AFTERCOOLER

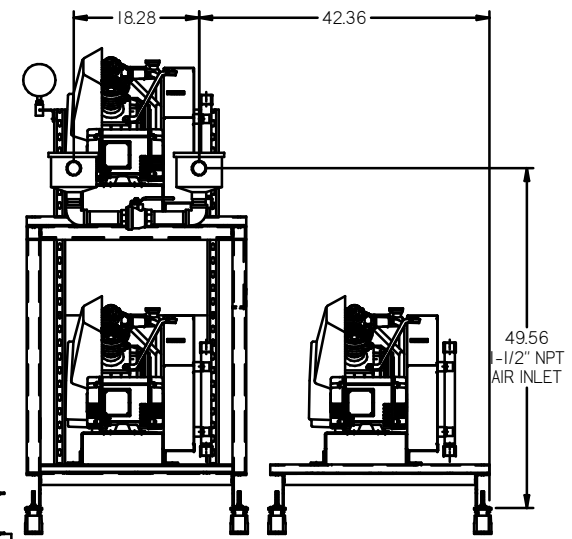
18X SPRING ISOLATORS
(SHIPPED LOOSE &
FIELD INSTALLED)

4X Ø.75

40.87
3/4\"/>

84.19

ISOLATION PADS
4\"/>

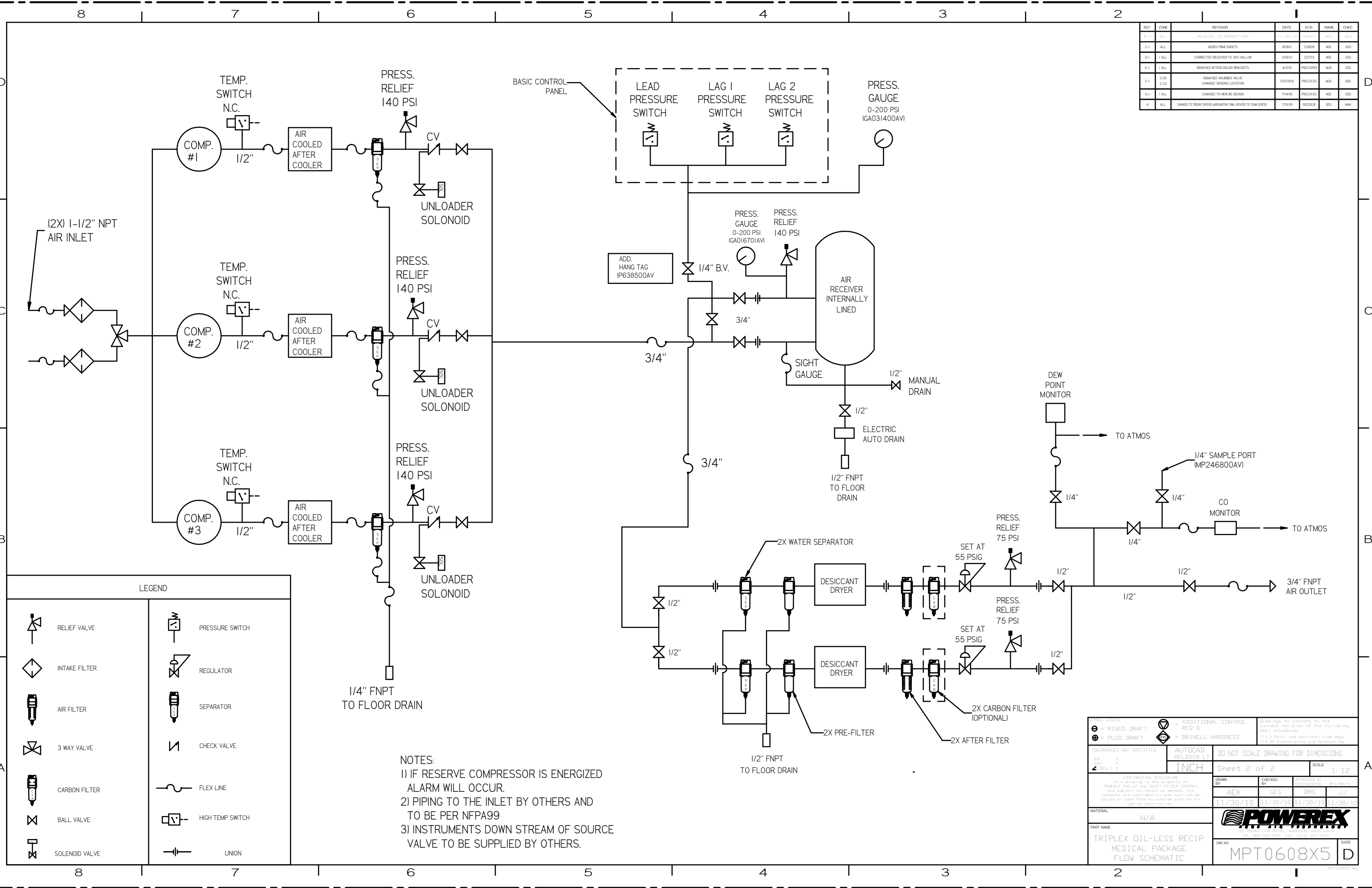


NOTE: A MINIMUM OF 24\"/>

NOTE: SYSTEM DESIGNED IN
COMPLIANCE WITH U.S. NFPA '99,
LATEST EDITION.

MINUS DRAFT PLUS DRAFT TOLERANCES NOT SPECIFIED XX ± XXX ± Z DEC ±	ADDITIONAL CONTROL REQ'D BRINELL HARDNESS AUTOCAD REL2008 LT INCH	Drawings to conform to the current revision of the following AIA standards: 14.3 Multi-view and sectional view dgs. 14.38 Dimensioning and tolerancing
CONFIDENTIAL DISCLOSURE This drawing is the property of POWEREX, INC. of the SCOTT FETZER COMPANY and subject to return on demand. Its contents are confidential and must not be copied or submitted to outside parties for use or reproduction.	DO NOT SCALE DRAWING FOR DIMENSIONS Sheet 1 of 2 SCALE 1:14	DRAWN BY: AEK CHECKED BY: GES APPROVED BY: DMS, JJ 11/30/10, 1/30/11, 1/30/11
MATERIAL: N/A PART NAME: TRIPLEX OILLESS RECIP. 7.5HP 200GAL BASEMOUNT DUPLEX DESICCANT		DWG NO: MPT0608X5 SIZE: D

REV	ZONE	REVISION	DATE	ECN	NAME	CHKD
0-1	ALL	RELEASE TO PRODUCTION	11/20/10	2147	RES	GES
C-1	ALL	ADDED PBM SHEETS	9/18/11	2269	AEK	GES
D-1	1 ALL	CORRECTED RECEIVER TO 200 GALLON	2/16/12	22723	AEK	GES
E-1	1 ALL	REMOVED AFTER-COOLER BRACKETS	4/2/15	PRE20093	MJD	GES
F-1	2 OS 2 CS	REMOVED SHOWER VALVE CHANGED SENSING LOCATION	02/03/18	PRE20133	MJD	AEK
G-1	1 ALL	CHANGED TO NEW BG DESIGN	7/14/18	PRE20132	AEK	GES
H	ALL	CHANGED TO TREAT DRESS MONITORING TANK, UPDATED TO TEAM CENTER	7/30/19	PRE20229	GES	MW

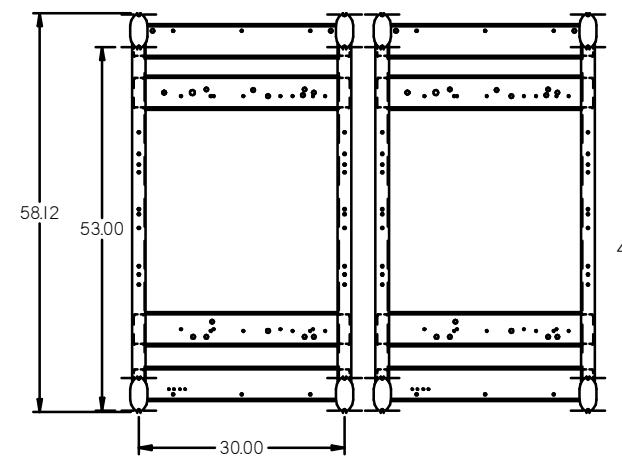


LEGEND	
	RELIEF VALVE
	INTAKE FILTER
	AIR FILTER
	3 WAY VALVE
	CARBON FILTER
	BALL VALVE
	SOLENOID VALVE
	PRESSURE SWITCH
	REGULATOR
	SEPARATOR
	CHECK VALVE
	FLEX LINE
	HIGH TEMP SWITCH
	UNION

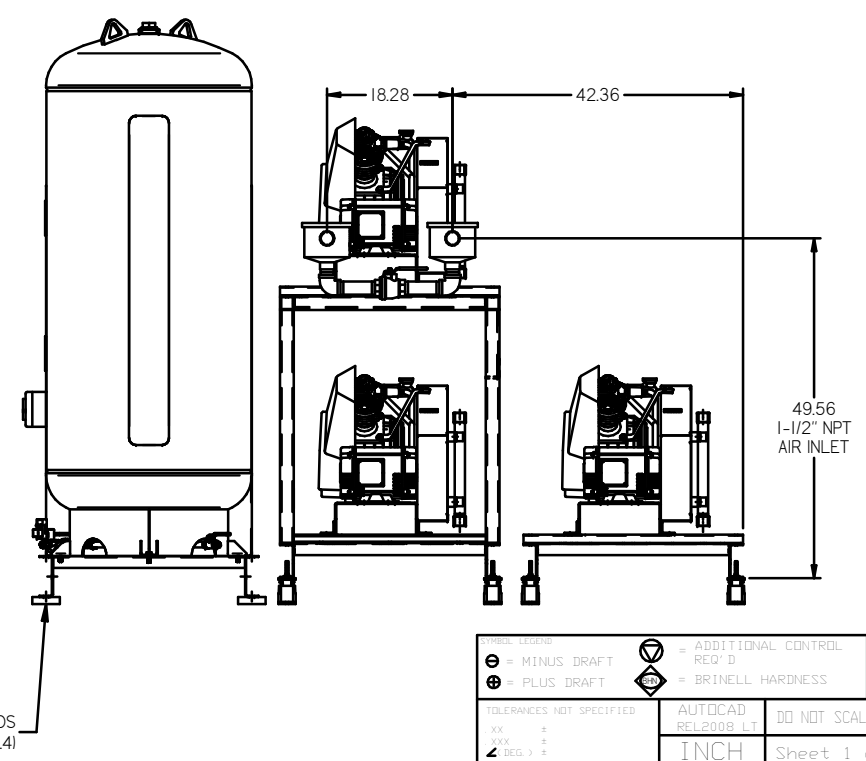
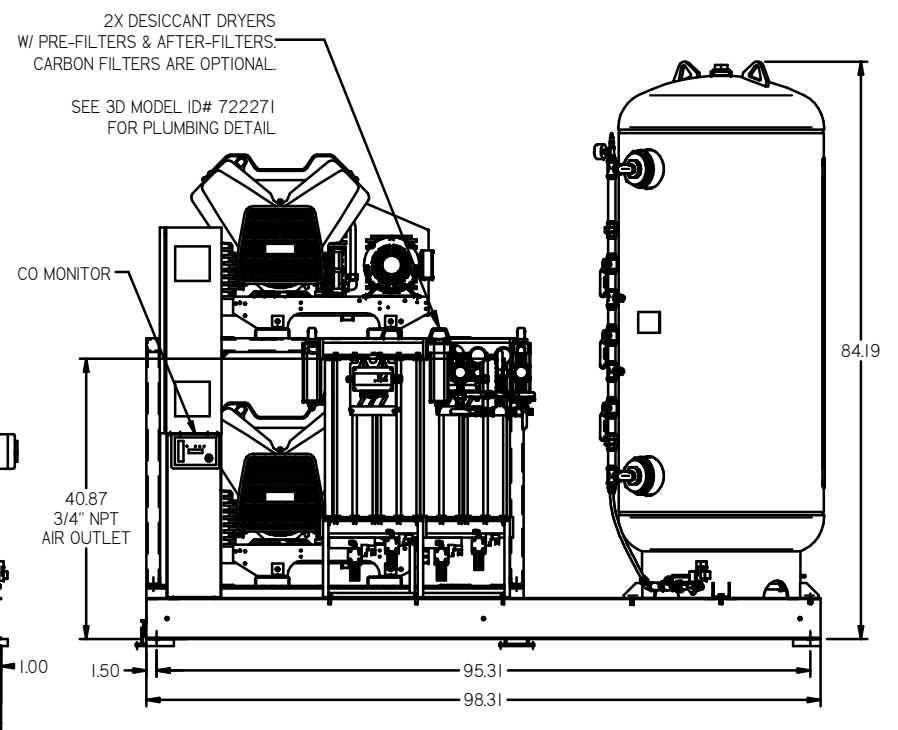
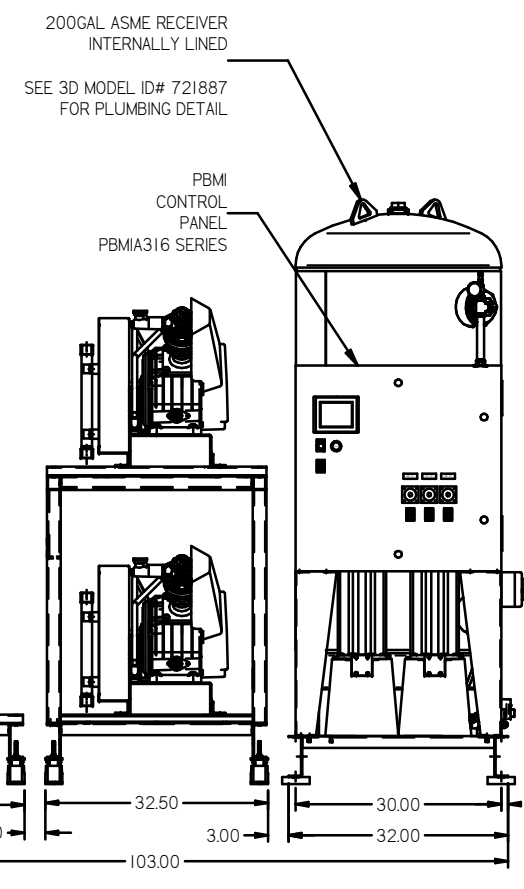
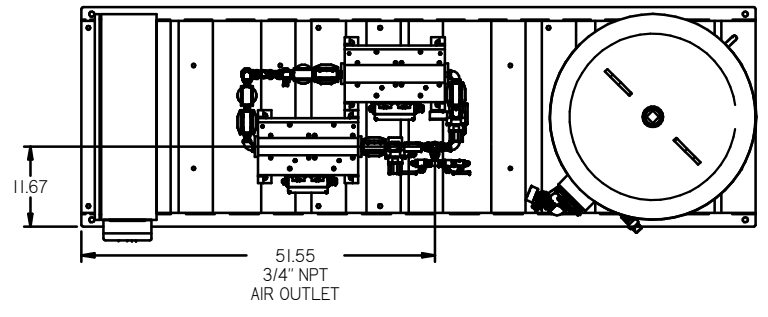
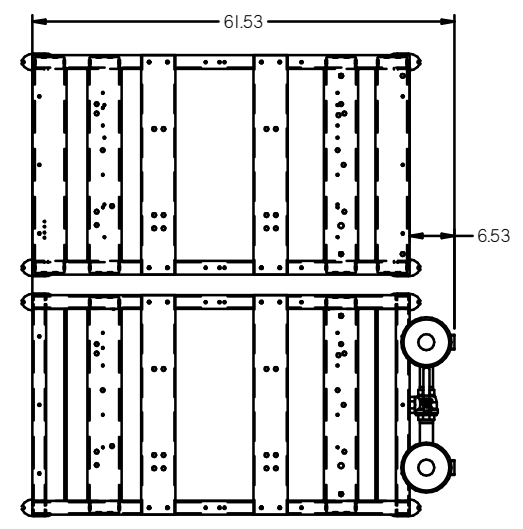
NOTES:
 1) IF RESERVE COMPRESSOR IS ENERGIZED ALARM WILL OCCUR.
 2) PIPING TO THE INLET BY OTHERS AND TO BE PER NFPA99
 3) INSTRUMENTS DOWN STREAM OF SOURCE VALVE TO BE SUPPLIED BY OTHERS.

TOLERANCES NOT SPECIFIED XX ± X ± NEG ±	AUTOCAD REL2009.LT INCH	DO NOT SCALE DRAWING FOR DIMENSIONS Sheet 2 of 2 SCALE 1:12
This drawing is the property of POWEREX INC. of the SCOTT PETER COMPANY and subject to return on demand. Its contents are confidential and must not be copied or submitted to outside parties for use or reproduction.	DRAWN BY AEK	CHECKED BY GES
MATERIAL N/A	11/30/10	11/30/10 11/30/10 11/30/10
PART NAME TRIPLEX OIL-LESS RECIP MEDICAL PACKAGE FLOW SCHEMATIC		SIZE MPT0608X5 D

REV	ZONE	REVISION	DATE	ECN	NAME	CHKD
1-1	ALL	ISSUED PBM1 SHEETS	1/20/11	22227	AEK	GES
D-1	1 ALL	CORRECTED RECEIVER TO 200 GALLON	2/16/12	22723	AEK	GES
E-1	1 ALL	REMOVED AFTERCOOLER BRACKETS	4/2/15	PXC0093	MLD	GES
F-1	2 DS 2 CS	REMOVED SHABBER VALVE CHANGED SENSING LOCATION	5/20/16	PXC0133	MLD	AEK
G-1	1 ALL	CHANGED TO NEW 80 DESIGN	7/14/16	PXC0132	AEK	GES
H	ALL	CHANGED TO TREAT ORDER MORGANTON TANK UPDATES TO TEAM CENTER	7/31/19	PXC0328	GES	MWH



VIEW A-A

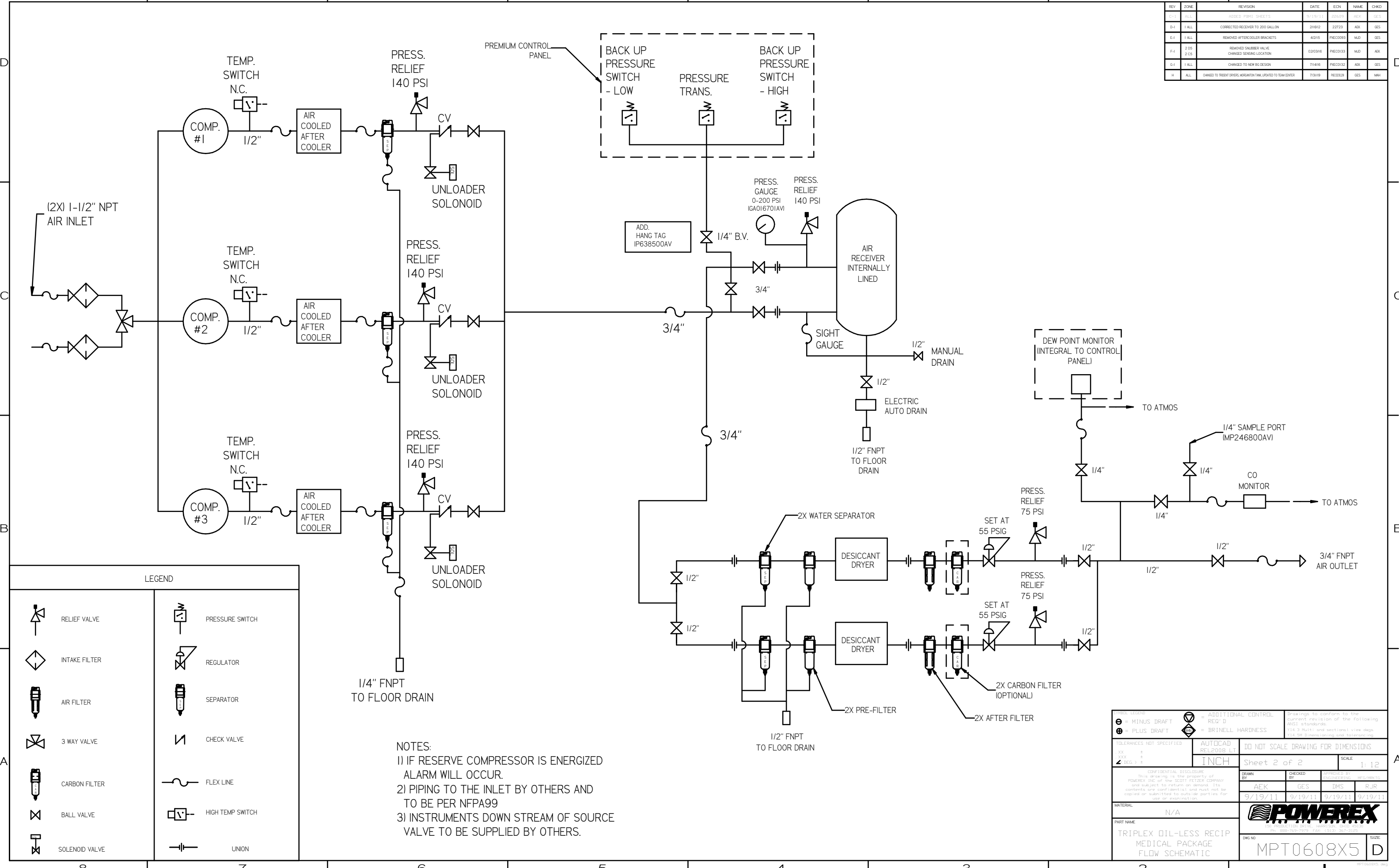


NOTE: A MINIMUM OF 24" CLEARANCE IS RECOMMENDED AROUND THE ENTIRE UNIT.

NOTE: SYSTEM DESIGNED IN COMPLIANCE WITH U.S. NFPA '99, LATEST EDITION.

TOLERANCES NOT SPECIFIED XX ± X DEG ±	AUTOCAD REL 2009 L3 INCH	ADDITIONAL CONTROL REQ'D = BRINELL HARDNESS	Drawings to conform to the current revision of the following ANSI standards: 114.3 Multi and sectional view dsgs 114.94 Dimensioning and tolerancing
DO NOT SCALE DRAWING FOR DIMENSIONS		Sheet 1 of 2	
SCALE 1:14		DRAWN BY: AEK CHECKED BY: GES 9/19/11	
MATERIAL: N/A PART NAME: TRIPLEX OILLESS RECIP. 7.5HP 200GAL BASEMOUNT DUPLEX DESICCANT		APPROVED BY: MFG/DRG/RS DMS RJR 9/19/11	
DWG NO: MPT0608X5		SIZE: D	

REV	ZONE	REVISION	DATE	ECN	NAME	CHKD
C-1	ALL	ADDED PERM. SHEETS	9/19/11	125609	AEK	GES
D-1	1 ALL	CORRECTED RECEIVER TO 200 GALLON	2/16/12	22723	AEK	GES
E-1	1 ALL	REMOVED AFTERCOOLER BRACKETS	4/2/15	PREC0093	MJD	GES
F-1	2 DS 2 CS	REMOVED SHOWER VALVE CHANGED SENSING LOCATION	02/03/16	PREC0133	MJD	AEK
G-1	1 ALL	CHANGED TO NEW 90 DESIGN	7/14/16	PREC0132	AEK	GES
H	ALL	CHANGED TO TREATY ORDER, MORGANTOWN, UPDATED TO TEAM CENTER	7/31/19	PREC0208	GES	MMH



LEGEND

	RELIEF VALVE		PRESSURE SWITCH
	INTAKE FILTER		REGULATOR
	AIR FILTER		SEPARATOR
	3 WAY VALVE		CHECK VALVE
	CARBON FILTER		FLEX LINE
	BALL VALVE		HIGH TEMP SWITCH
	SOLENOID VALVE		UNION

NOTES:
 1) IF RESERVE COMPRESSOR IS ENERGIZED ALARM WILL OCCUR.
 2) PIPING TO THE INLET BY OTHERS AND TO BE PER NFPA99
 3) INSTRUMENTS DOWN STREAM OF SOURCE VALVE TO BE SUPPLIED BY OTHERS.

TOLERANCES NOT SPECIFIED XX ± XXX ± 4 DEC ±	AUTOCAD REL2008 LT INCH	DO NOT SCALE DRAWING FOR DIMENSIONS Sheet 2 of 2 SCALE 1:12
CONFIDENTIAL DISCLOSURE This drawing is the property of POWEREX INC. If the SCOTT FETZER COMPANY and subject to return on demand. Its contents are confidential and must not be copied or submitted to outside parties for use or reproduction.		
DRAWN BY: AEK CHECKED BY: GES 9/19/11	APPROVED BY: DMS RJR 9/19/11	APPROVED BY: RJR 9/19/11
MATERIAL: N/A PART NAME: TRIPLEX OIL-LESS RECIP MEDICAL PACKAGE FLOW SCHEMATIC		 94 888-766-7079 FAX 1-931-347-3125 DWG NO: MPT0608X5 SIZE: D