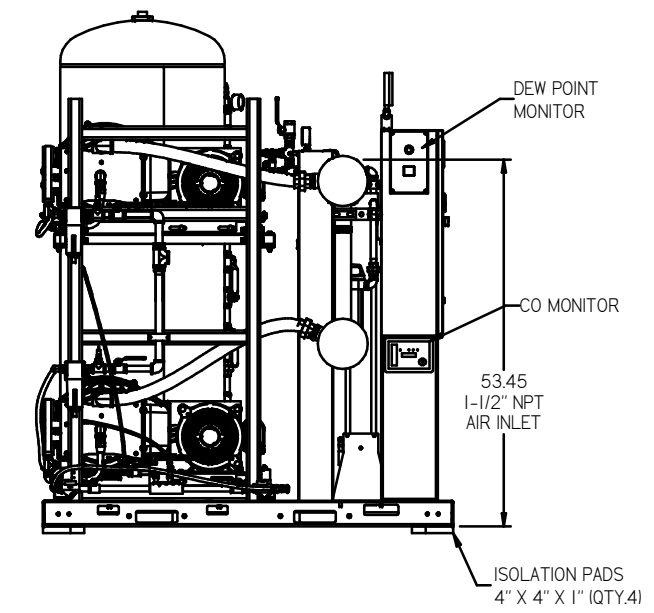
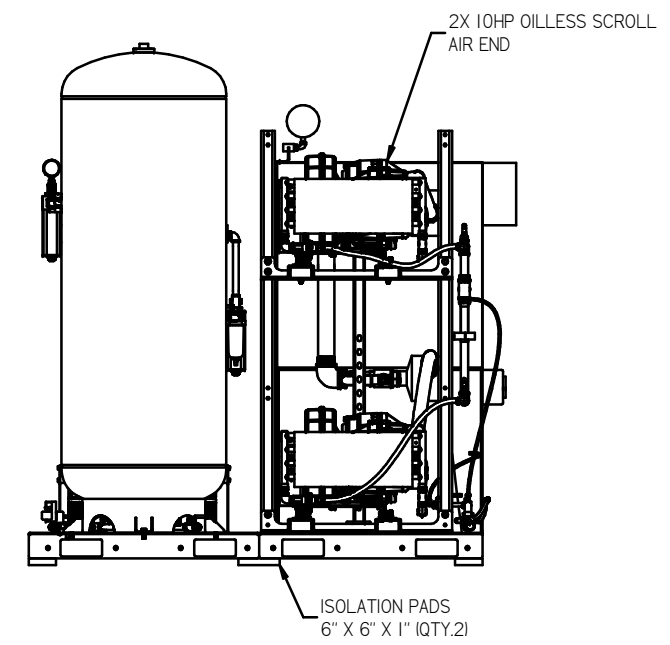
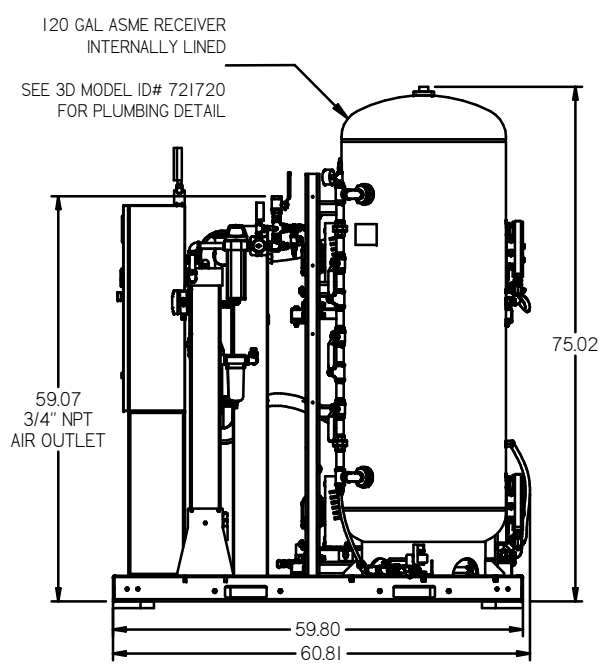
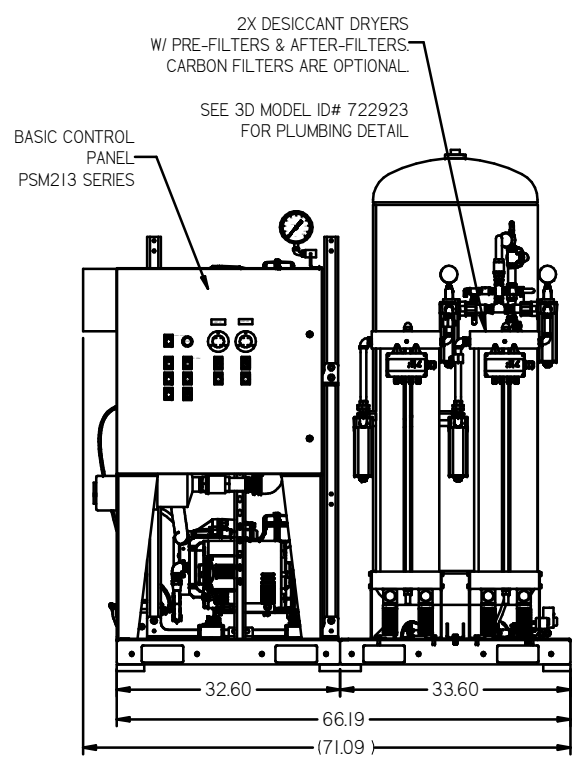
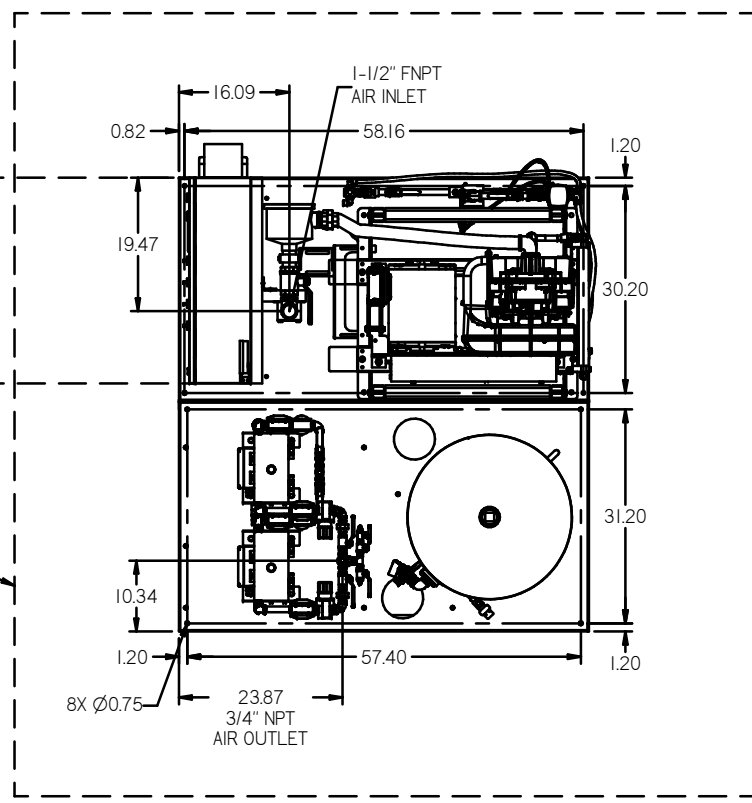


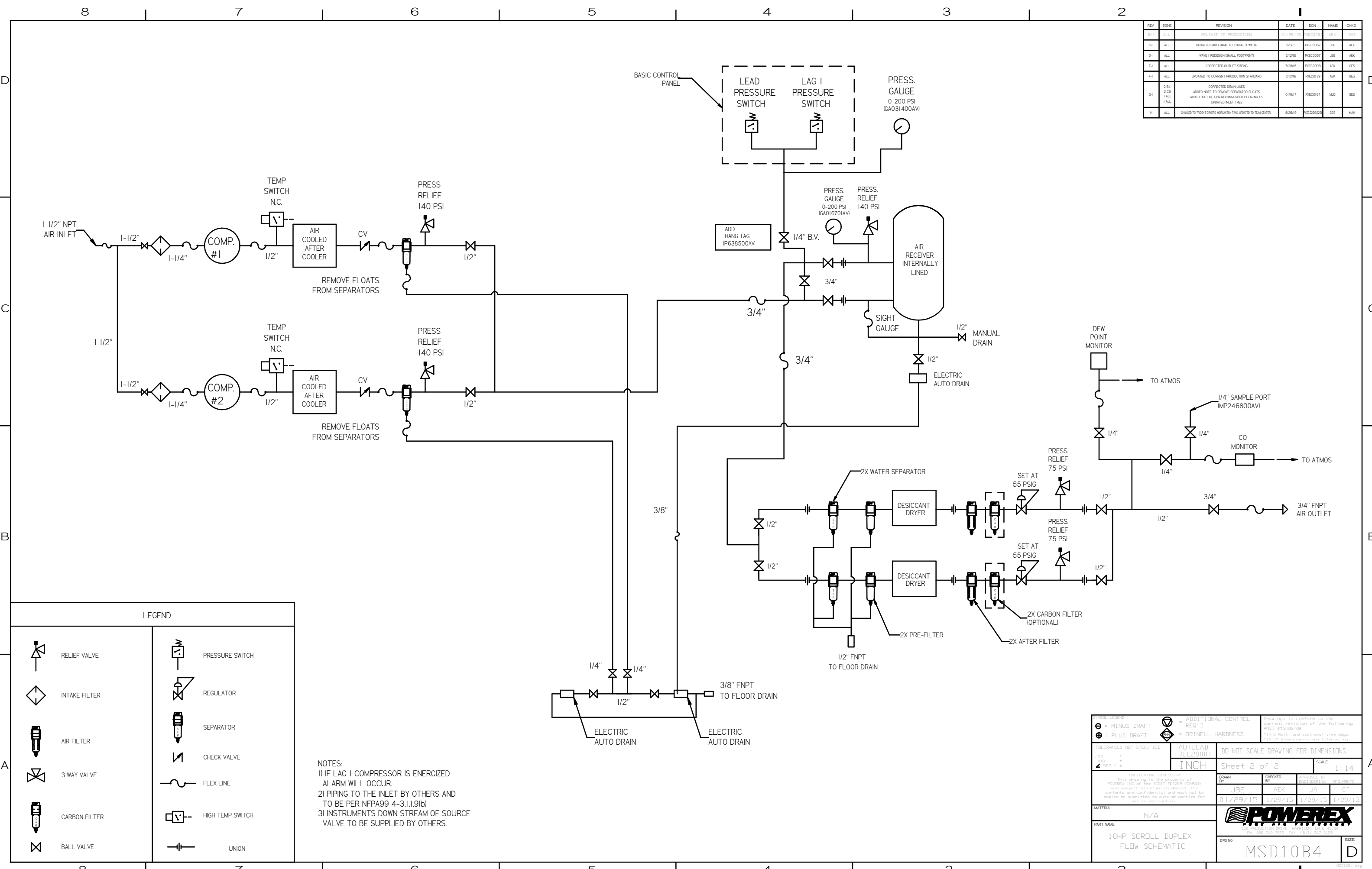
REV	ZONE	REVISION	DATE	ECN	NAME	CHKD
B	ALL	RELEASE TO PRODUCTION	11/29/15	PREC005	JBE	AKS
C-1	ALL	UPDATED SKID FRAME TO CORRECT WIDTH	2/5/15	PREC0057	JBE	AKS
D-1	ALL	MAKE 1 REDESIGN (SMALL FOOTPRINT)	2/12/15	PREC0057	JBE	AKS
E-1	ALL	CORRECTED OUTLET SIZING	7/28/15	PREC0099	AKS	GES
F-1	ALL	UPDATED TO CURRENT PRODUCTION STANDARD	2/12/16	PREC0139	AKS	GES
G-1	2 GA 2 CG 1 ALL 1 ALL	CORRECTED DRAIN LINES ADDED NOTE TO REMOVE SEPARATOR FLOATS ADDED OUTLINE FOR RECOMMENDED CLEARANCES UPDATED AILET TREE	01/01/17	PREC0167	AKS	GES
H	ALL	CHANGED TO TREAT DRESS, MORGANTON TANK, UPDATED TO TEAM CENTER	8/26/19	PREC03029	GES	MAH



NOTE: SYSTEM DESIGNED IN COMPLIANCE WITH US NFPA 99, LATEST EDITION.

DIMENSIONS NOT SPECIFIED: XXX ± XX DEG ±	AUTOCAD REL2000 I INCH	DO NOT SCALE DRAWING FOR DIMENSIONS Sheet 1 of 2 SCALE 1:14
CONFIDENTIAL DISCLOSURE This drawing is the property of POWEREX, Inc. of the SCOTT PETERSON COMPANY and subject to return on demand. Its contents are confidential and must not be copied or submitted to outside parties for use or reproduction.	DRAWN BY: JBE CHECKED BY: AEK 01/29/15 1/29/15 1/29/15 01/29/15	APPROVED BY: JA, CT
MATERIAL: N/A PART NAME: DUPLEX OILLESS SCROLL 10HP, 120GAL. BASEMOUNT DUPLEX DESICCANT	DWG NO: MSD10B4	SIZE: D

REV	ZONE	REVISION	DATE	ECN	NAME	CHKD
B	ALL	RELEASE TO PRODUCTION	1/29/15		JBE	AEK
C-1	ALL	UPDATED SKD FRAME TO CORRECT WIDTH	2/5/15		JBE	AEK
D-1	ALL	WAVE 1 REDESIGN (SMALL FOOTPRINT)	2/12/15		JBE	AEK
E-1	ALL	CORRECTED OUTLET SIZING	7/28/15		JBE	AEK
F-1	ALL	UPDATED TO CURRENT PRODUCTION STANDARD	2/12/16		JBE	AEK
G-1	2 BA 2 CB 1 AL 1 ALL	CORRECTED DRAIN LINES ADDED NOTE TO REMOVE SEPARATOR FLOATS ADDED OUTLINE FOR RECOMMENDED CLEARANCES UPDATED INLET TREE	04/07/17		MJD	GES
H	ALL	CHANGED TO TREAT DRESS, MORGAN TANK UPDATED TO TEAM CENTER	8/28/19		GES	MMH



LEGEND

	RELIEF VALVE		PRESSURE SWITCH
	INTAKE FILTER		REGULATOR
	AIR FILTER		SEPARATOR
	3 WAY VALVE		CHECK VALVE
	CARBON FILTER		FLEX LINE
	BALL VALVE		HIGH TEMP SWITCH
			UNION

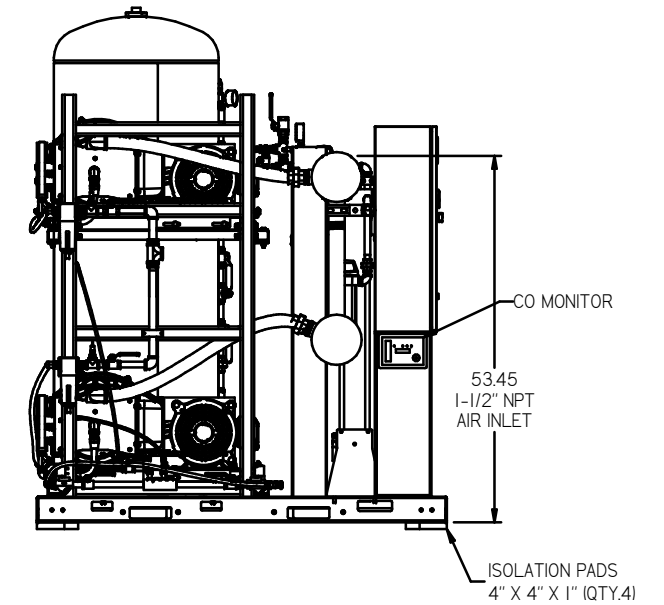
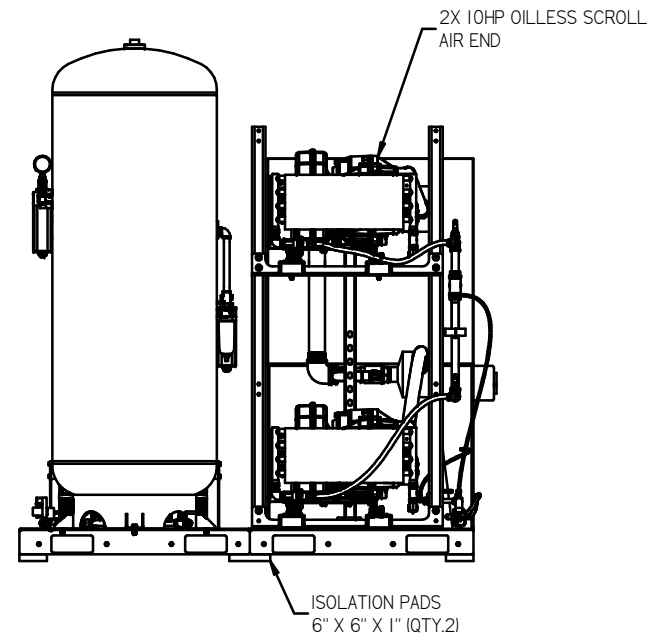
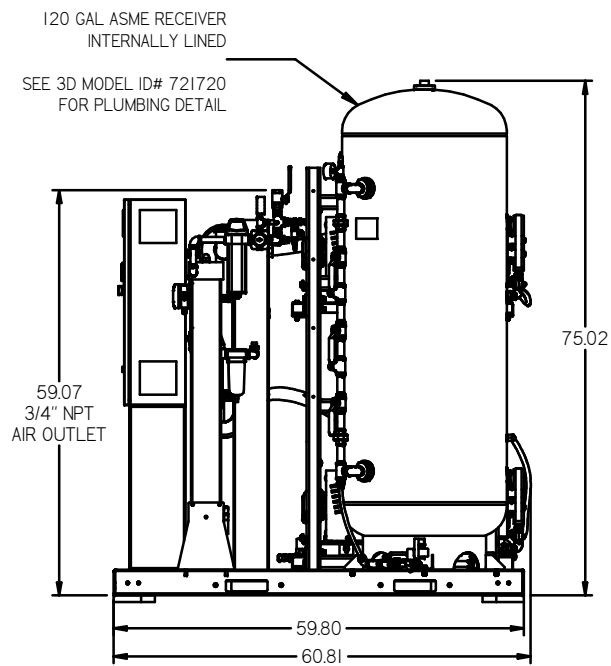
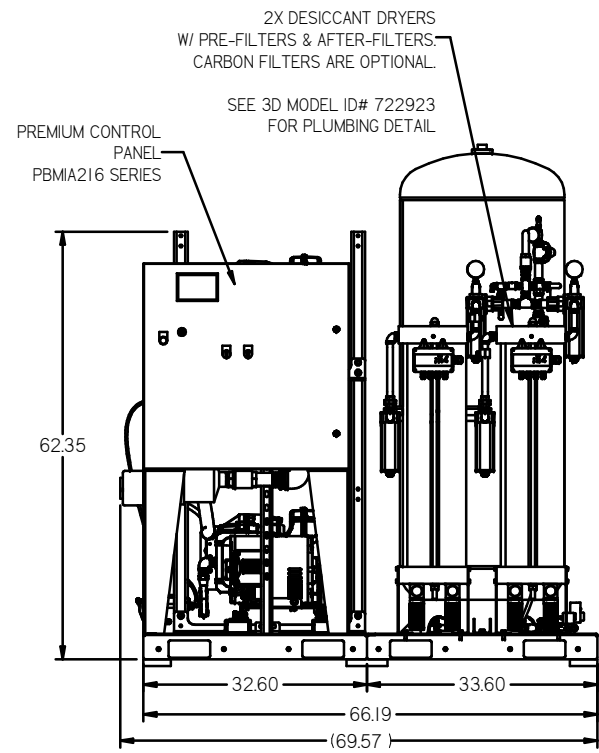
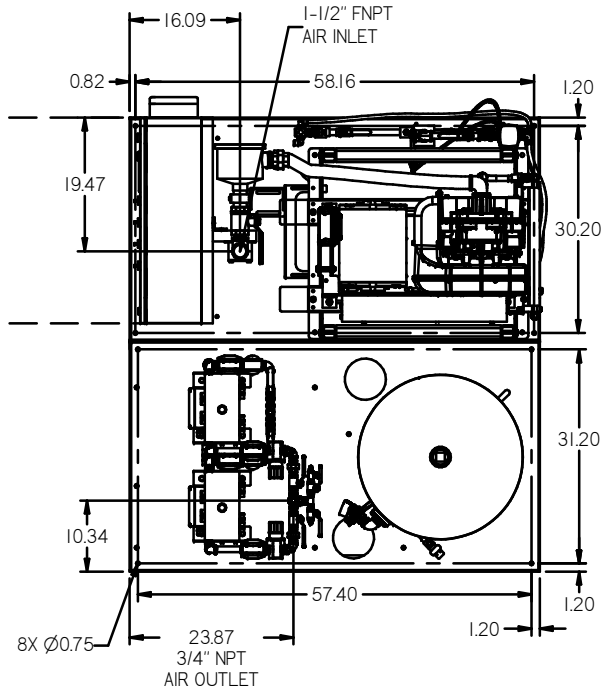
NOTES:
 1) IF LAG 1 COMPRESSOR IS ENERGIZED ALARM WILL OCCUR.
 2) PIPING TO THE INLET BY OTHERS AND TO BE PER NFPA99 4-3.1.1.9(b)
 3) INSTRUMENTS DOWN STREAM OF SOURCE VALVE TO BE SUPPLIED BY OTHERS.

TOLERANCES NOT SPECIFIED XX = < DEG > =	AUTOCAD REL:2000 INCH	DO NOT SCALE DRAWING FOR DIMENSIONS Sheet 2 of 2 SCALE 1:14
DRAWN BY JBE	CHECKED BY AEK	APPROVED BY JA
MATERIAL N/A	DATE 01/29/15	DATE 1/29/15
PART NAME 10HP SCROLL DUPLEX FLOW SCHEMATIC		 150 PRODUCTION DRIVE, HARRISBURG, OHIO 45002 614-882-7600 FAX 614-882-3125
Dwg No MSD10B4		SIZE D

REV	ZONE	REVISION	DATE	ECN	NAME	CHKD
B-1	ALL	RELEASE TO PRODUCTION	01/29/15	PREC0057	JEB	AEK
C-1	ALL	UPDATED SKID FRAME TO CORRECT WIDTH	2/5/15	PREC0057	JEB	AEK
D-1	ALL	WAVE 1 REDESIGN (SMALL FOOTPRINT)	2/12/15	PREC0057	JEB	AEK
E-1	ALL	CORRECTED OUTLET SIZING	7/28/15	PREC0093	AEK	GES
F-1	ALL	UPDATED TO CURRENT PRODUCTION STANDARD	2/12/16	PREC0139	AEK	GES
G-1	2 BA 2 CE 1 ALL	CORRECTED DRAIN LINES ADDED NOTE TO REMOVE SEPARATOR FLOATS ADDED OUTLINE FOR RECOMMENDED CLEARANCES UPDATED INLET TREE	01/11/17	PREC0167	MD	GES
H	ALL	CHANGED TO TREAT EFFLUENT MARGINAL TANK, UPDATED TO TEAM CENTER	8/26/19	PREC02029	GES	MMH

MINIMUM RECOMMENDED ELECTRICAL PANEL CLEARANCE PER OSHA/NEC REQUIREMENTS

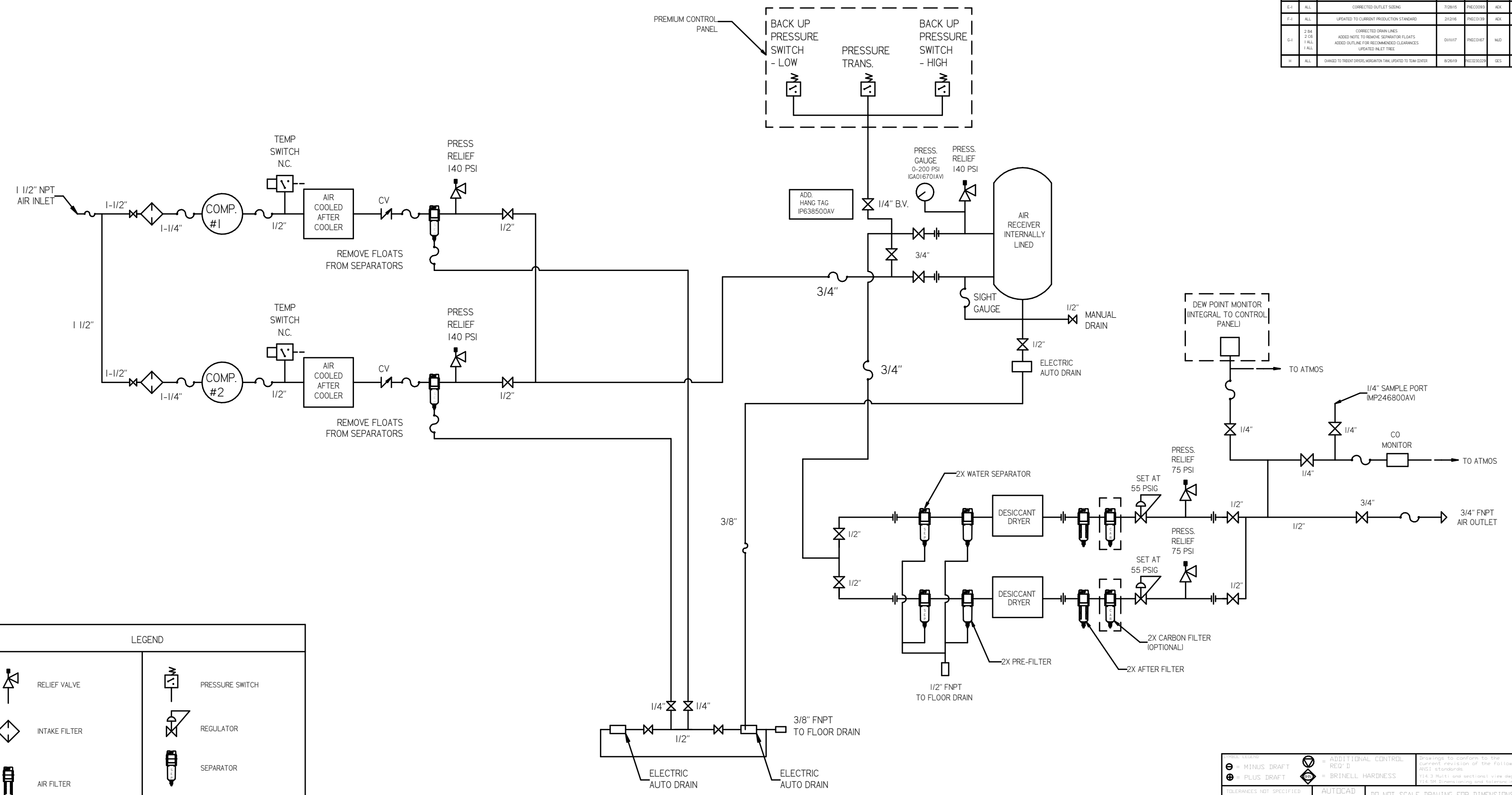
24" MINIMUM RECOMMENDED MAINTENANCE CLEARANCE



NOTE: SYSTEM DESIGNED IN COMPLIANCE WITH US NFPA'99, LATEST EDITION.

MINUS DRAFT PLUS DRAFT TOLERANCES NOT SPECIFIED XX ± X ± < NEG > ±	ADDITIONAL CONTROL REQ'D BRINELL HARDNESS	Drawings to conform to the current revision of the following ANSI standards: 114.3 Multi and sectional view dgs. 114.78 Dimensional control and tolerancing
AUTOCAD REL2000i INCH	DO NOT SCALE DRAWING FOR DIMENSIONS Sheet 1 of 2 SCALE 1:14	
This drawing is the property of POWEREX, INC. of the SCOTT FETZER COMPANY and subject to return on demand. Its contents are confidential and must not be copied or used in any way for parts or services for use or construction.	DRAWN BY: J CHECKED BY: AEK 01/29/15	APPROVED BY: JAR, ET 1/29/15, 1/29/15, 01/29/15
MATERIAL: N/A PART NAME: DUPLEX OILLESS SCROLL 10HP, 120GAL, BASEMOUNT DUPLEX DESICCANT		SIZE: MSD10B4 D

REV	ZONE	REVISION	DATE	ECN	NAME	CHKD
B-1	ALL	RELEASE TO PRODUCTION	01/29/15	PREC0057	AEK	JBE
C-1	ALL	UPDATED SHD FRAME TO CORRECT WIDTH	2/5/15	PREC0057	JBE	AEK
D-1	ALL	WAVE 1 REDESIGN (SMALL FOOTPRINT)	2/12/15	PREC0057	JBE	AEK
E-1	ALL	CORRECTED OUTLET SIZING	7/28/15	PREC0093	AEK	GES
F-1	ALL	UPDATED TO CURRENT PRODUCTION STANDARD	2/12/16	PREC0139	AEK	GES
G-1	2 BA 2 CB 1 ALL 1 ALL	CORRECTED DRAIN LINES ADDED NOTE TO REMOVE SEPARATOR FLOATS ADDED OUTLINE FOR RECOMMENDED CLEARANCES UPDATED PLEET TREE	01/11/17	PREC0167	MAD	GES
H	ALL	CHANGED TO PRET DRIES, MORGANTON TANK, UPDATED TO TEAM CENTER	8/26/19	PREC02028	GES	MMH



LEGEND

	RELIEF VALVE		PRESSURE SWITCH
	INTAKE FILTER		REGULATOR
	AIR FILTER		SEPARATOR
	3 WAY VALVE		CHECK VALVE
	CARBON FILTER		FLEX LINE
	BALL VALVE		HIGH TEMP SWITCH
			UNION

- NOTES:
 1) IF LAG 1 COMPRESSOR IS ENERGIZED ALARM WILL OCCUR.
 2) PIPING TO THE INLET BY OTHERS AND TO BE PER NFPA99 4-3.1.1.9(b)
 3) INSTRUMENTS DOWN STREAM OF SOURCE VALVE TO BE SUPPLIED BY OTHERS.

MINUS DRAFT PLUS DRAFT TOLERANCES NOT SPECIFIED XX ± XXX ± $\pm .001$	ADDITIONAL CONTROL REQ'D BRINELL HARDNESS AUTOCAD REL2000 INCH DO NOT SCALE DRAWING FOR DIMENSIONS Sheet 2 of 2 SCALE 1:14 DRAWN BY JBE CHECKED BY AEK APPROVED BY JA CT 01/29/15 1/29/15 1/29/15 1/29/15 MATERIAL N/A PART NAME 10HP SCROLL DUPLEX FLOW SCHEMATIC DWG NO MSD10B4 SIZE D	Drawings to conform to the current revision of the following ANSI standards: 174.3 Multi and sectional view dgs. 14.9M Dimensioning and tolerancing
---	---	---