

REV	ZONE	REVISION	DATE	ECN	NAME	CHK'D
B	ALL	RELEASE TO PRODUCTION	8/11/17		RESORR	GES
C	ALL	UPDATED TO TEAM CENTER AND 3D	7/20/16		RESORR	GES
D	ALL	CHANGED TO TRIDENT DRYERS, MORGANTON TANK	3/06/19		RESORR	GES

MINIMUM RECOMMENDED ELECTRICAL PANEL CLEARANCE PER OSHA/NEC REQUIREMENTS

24" MINIMUM RECOMMENDED MAINTENANCE CLEARANCE

2X DESICCANT DRYERS W/ PRE-FILTERS & AFTER-FILTERS. CARBON FILTERS ARE OPTIONAL.
SEE 3D MODEL ID# 721928 FOR PLUMBING DETAIL

BASIC CONTROL PANEL PSM313 SERIES

200GAL ASME RECEIVER INTERNALLY LINED
SEE 3D MODEL ID# 721057 FOR PLUMBING DETAIL


10HP OILLESS SCROLL (FUTURE EXPANSION)
2X 10HP OILLESS SCROLL AIR END

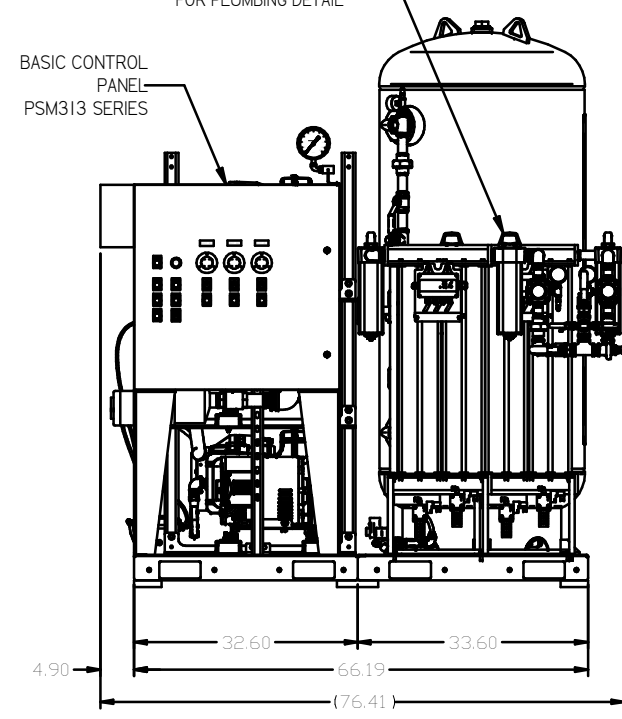
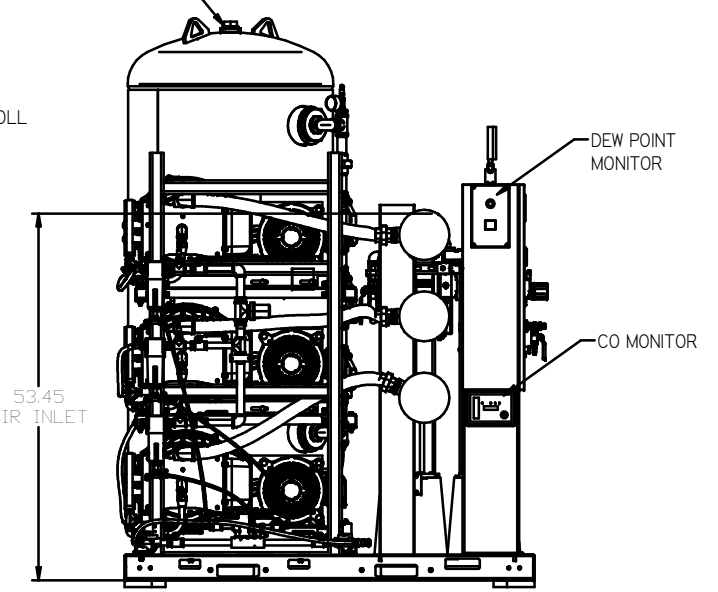
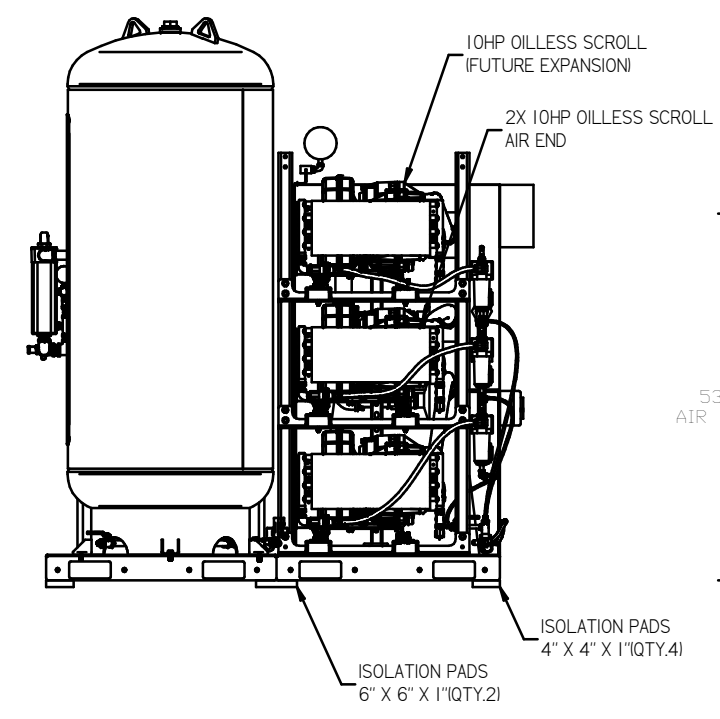
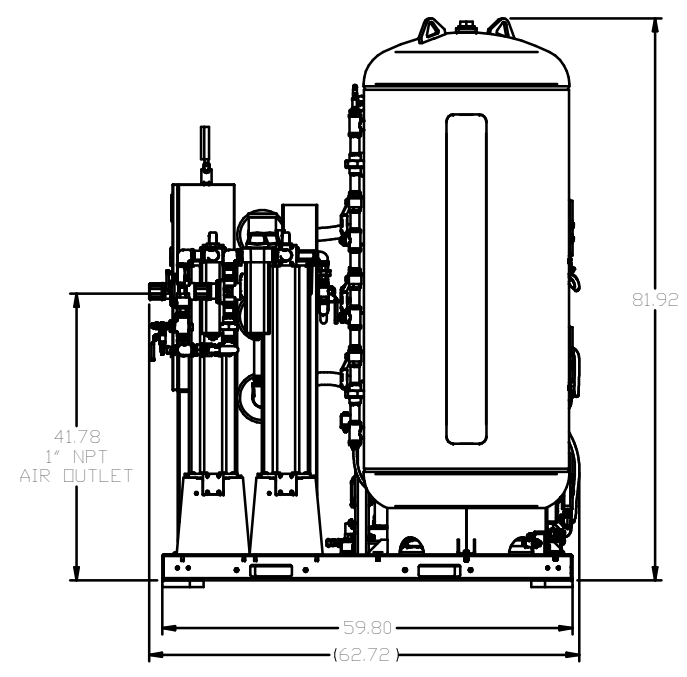
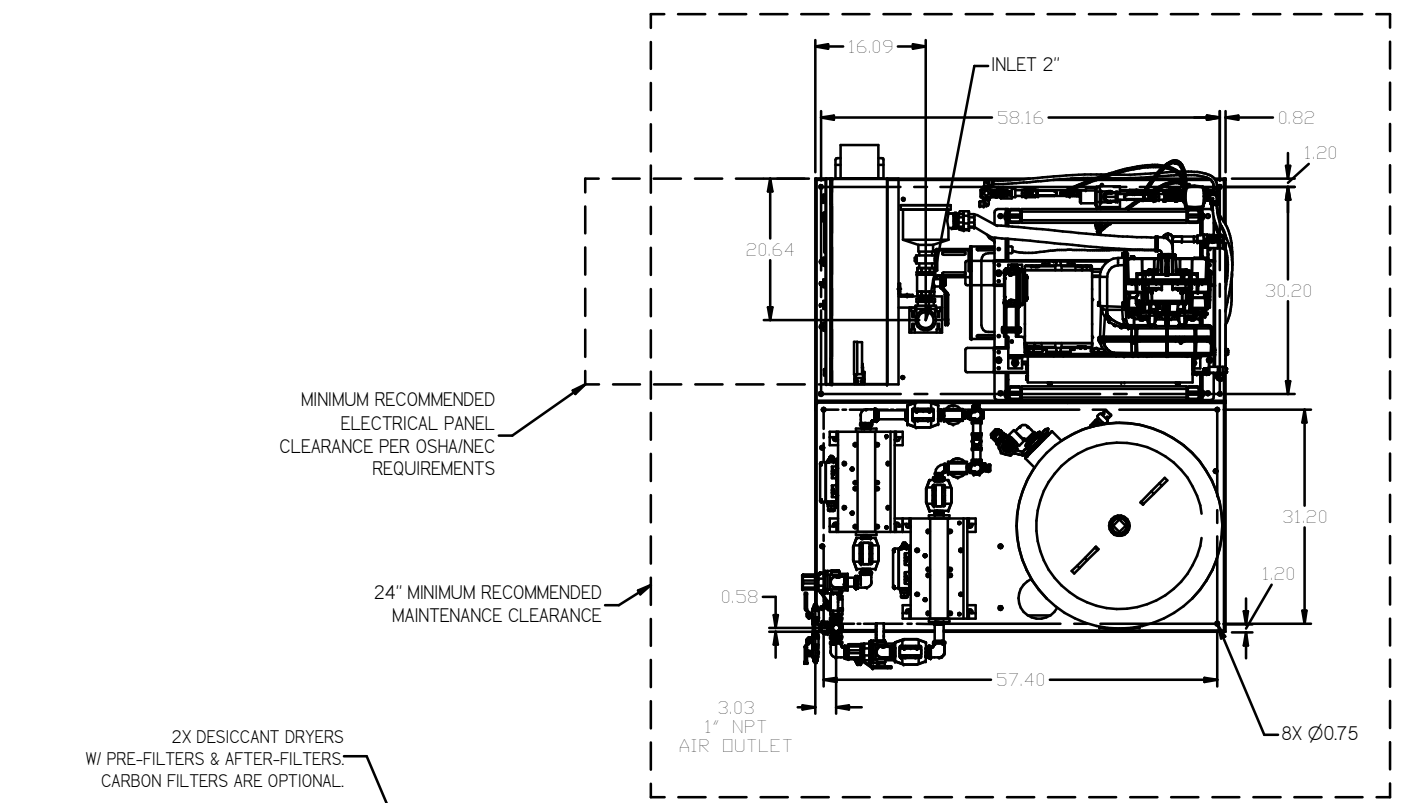
DEW POINT MONITOR

CO MONITOR

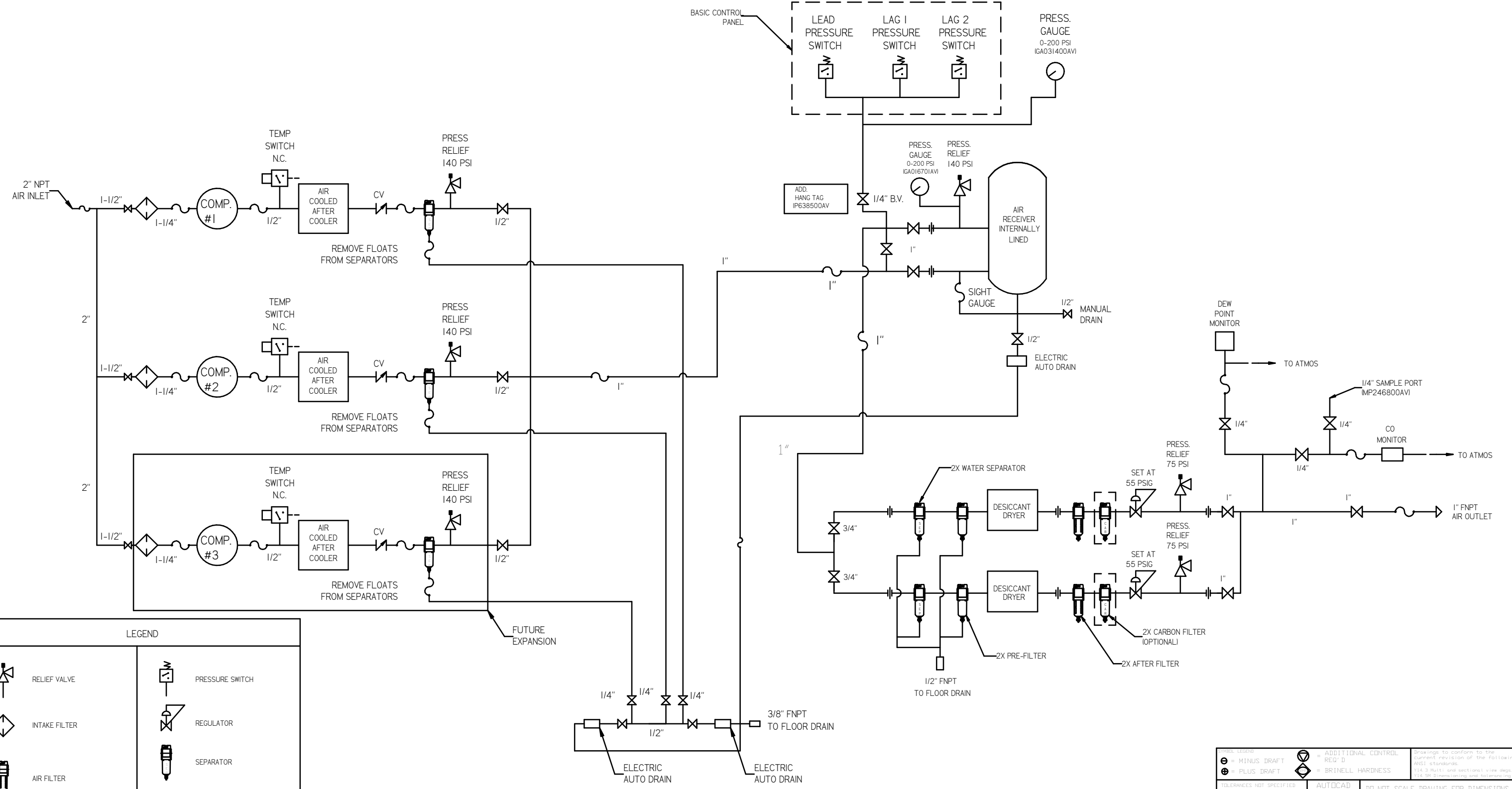
ISOLATION PADS 4" X 4" X 1" (QTY.4)
ISOLATION PADS 6" X 6" X 1" (QTY.2)

NOTE: SYSTEM DESIGNED IN COMPLIANCE WITH US NFPA'99, LATEST EDITION.

DIMS LEGEND ⊖ = MINUS DRAFT ⊕ = PLUS DRAFT ⊗ = BRINELL HARDNESS	ADDITIONAL CONTROL REQ'D ⊕ = BRINELL HARDNESS	Drawings to conform to the current revision of the following ANSI standards: 11.4.3 Multi and sectional view dgs 11.4.9 Dimensions and tolerances
TOLERANCES NOT SPECIFIED XX ± XXX ± \angle DEG ±	AUTOCAD REL2014 LT INCH	DO NOT SCALE DRAWING FOR DIMENSIONS SHEET 1 OF 2 SCALE 1:14
THIS DRAWING IS THE PROPERTY OF POWEREX, INC. OF THE SCOTT FETZER COMPANY and subject to return on demand. Its contents are confidential and must not be copied or submitted to outside parties for use or examination.		DRAWN BY: AEK CHECKED BY: GES APPROVED BY: DMS, BC 10/11/17 10/11/17 10/11/17 10/11/17
MATERIAL: N/A		 100 PRODUCTION DRIVE, HARTFORD, CT 06103 PH: 860-769-7979 FAX: 860-769-3125
PART NAME: MED DUPLEX SCROLL EXP 10HP 200GAL BASEMOUNT DUPLEX DESICCANT		SIZE: D MS10B5-EX3



REV	DATE	REVISION	DATE	BY	NAME	CHKD
B-1	ALL	RELEASE TO PRODUCTION	10/11/17	PREPAIN	AEK	GES
C	ALL	UPDATED TO TRIPLEX COVER AND SEES	7/20/18	PREPAIN	GES	MSH
D	ALL	CHANGED TO TRIDENT DRYERS, MORGANTON TANK	8/06/19	PREPAIN	GES	MSH



LEGEND

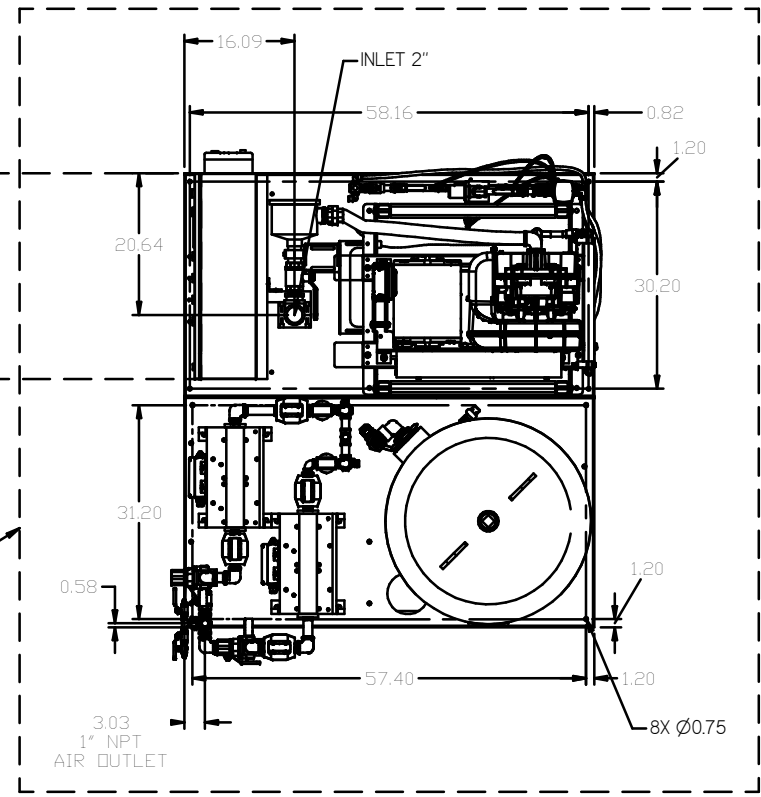
	RELIEF VALVE		PRESSURE SWITCH
	INTAKE FILTER		REGULATOR
	AIR FILTER		SEPARATOR
	3 WAY VALVE		CHECK VALVE
	CARBON FILTER		FLEX LINE
	BALL VALVE		HIGH TEMP SWITCH
			UNION

NOTES

- 1) WITHOUT EXPANSION: IF LAG 1 COMPRESSOR IS ENERGIZED, ALARM WILL OCCUR.
WITH EXPANSION: IF LAG 2 COMPRESSOR IS ENERGIZED, ALARM WILL OCCUR.
- 2) PIPING TO THE INLET BY OTHERS AND TO BE PER NFPA99 4-3.1.1.9(b)
- 3) INSTRUMENTS DOWN STREAM OF SOURCE VALVE TO BE SUPPLIED BY OTHERS.

<p>MINUS DRAFT</p> <p>PLUS DRAFT</p>	<p>ADDITIONAL CONTROL</p> <p>REG. B</p> <p>BRINELL HARDNESS</p>	<p>Drawings to conform to the current revision of the following ASME standards:</p> <p>ASME B1.1 and sections 1, 2 and 3</p> <p>ASME B16.5 Dimensioning and Tolerancing</p>
<p>TOLERANCES NOT SPECIFIED</p> <p>XX 1/4</p> <p>ZZ 1/4</p>	<p>AUTOCAD</p> <p>REL2014 LT</p> <p>INCH</p>	<p>DO NOT SCALE DRAWING FOR DIMENSIONS</p> <p>Sheet 2 of 2</p> <p>SCALE 1:14</p>
<p>CONFIDENTIAL DISCLOSURE</p> <p>This drawing is the property of POWEREX, INC. of the SCOTT FELZER COMPANY and subject to return on demand. Its contents are confidential and must not be copied or submitted to outside parties. For use only for production.</p>		
<p>MATERIAL</p> <p>N/A</p>	<p>DATE</p> <p>10/11/17</p>	<p>CHECKED BY</p> <p>GES</p> <p>APPROVED BY</p> <p>DMS</p> <p>10/11/17</p>
<p>PART NAME</p> <p>MEDICAL SCROLL DUPLEX EXPANDABLE TO TRIPLEX FLOW SCHEMATIC</p>	<p>POWEREX</p> <p>100-100-7070 Fax: (313) 367-3125</p>	
<p>REV. NO.</p> <p>MSD10B5-EX3</p>	<p>DATE</p> <p>10/11/17</p>	

REV	ZONE	REVISION	DATE	ECN	NAME	CHKD
1	ALL	RELEASE TO PRODUCTION	10/11/17		AEK	GES
2	ALL	UPDATED TO TEAM SERVER AND DES	10/11/17		AEK	GES
3	ALL	CHANGED TO TRUCK DRIVERS, BERGANTON TANK	10/11/17		AEK	GES



MINIMUM RECOMMENDED ELECTRICAL PANEL CLEARANCE PER OSHA/NEC REQUIREMENTS

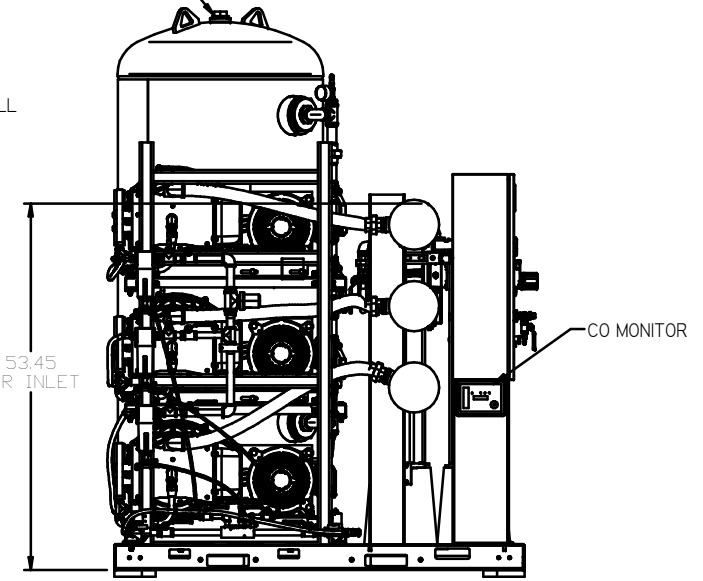
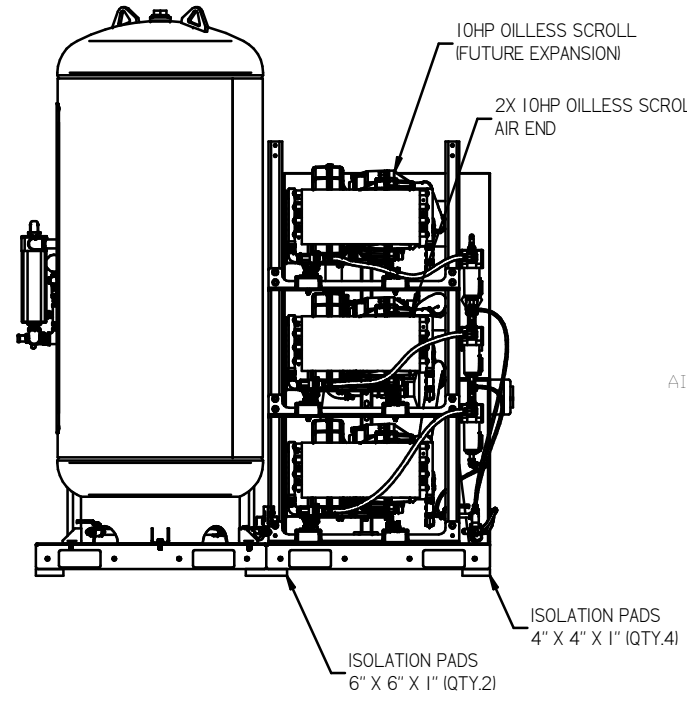
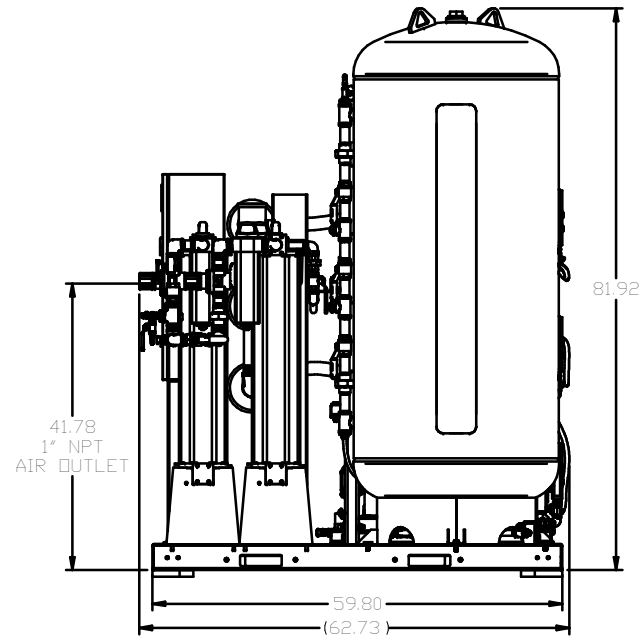
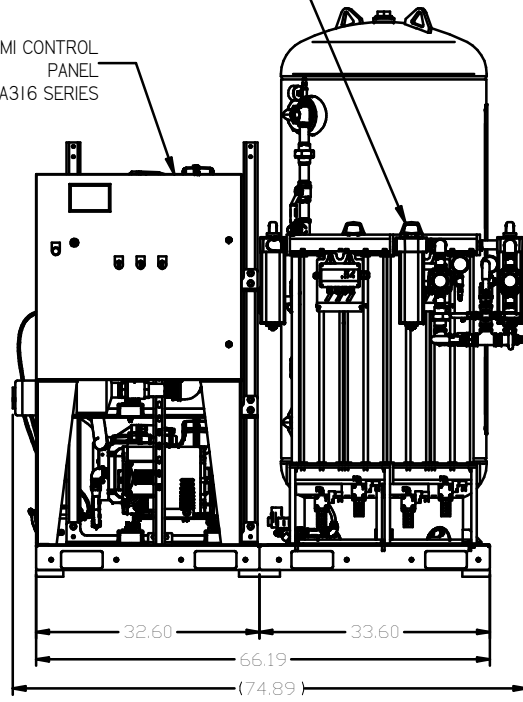
24\"/>

2X DESICCANT DRYERS W/ PRE-FILTERS & AFTER-FILTERS. CARBON FILTERS ARE OPTIONAL.

SEE 3D MODEL ID# 721928 FOR PLUMBING DETAIL

PBMI CONTROL PANEL PBMA316 SERIES

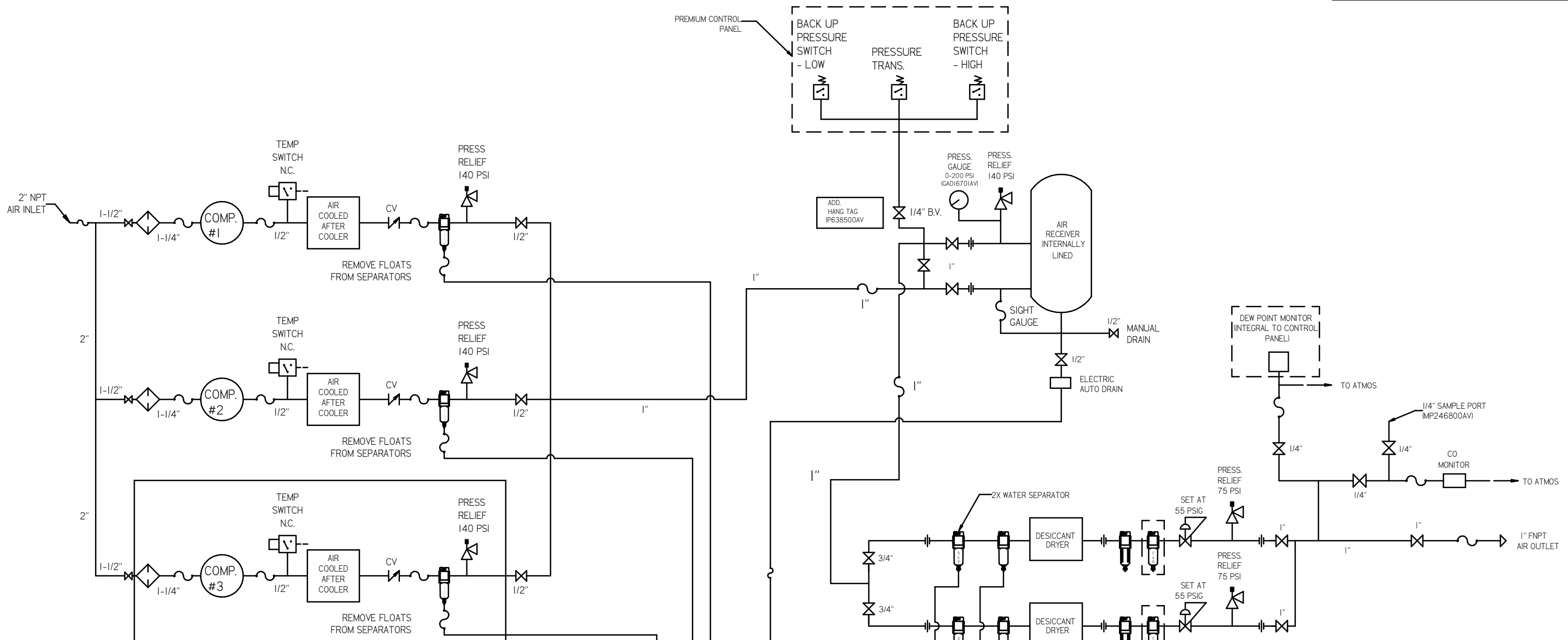
200GAL ASME RECEIVER INTERNALLY LINED
SEE 3D MODEL ID# 721057 FOR PLUMBING DETAIL



NOTE: SYSTEM DESIGNED IN COMPLIANCE WITH US NFPA'99, LATEST EDITION.

<p>MINUS DRAFT</p> <p>PLUS DRAFT</p>	<p>ADDITIONAL CONTROL REQ'D</p> <p>BRINELL HARDNESS</p>	<p>Drawings to conform to the current revision of the following ANSI standards:</p> <p>14.3 Multi and sectional view dgs.</p> <p>14.98 Dimensioning and tolerancing</p>
<p>TOLERANCES NOT SPECIFIED</p> <p>XXX ±</p> <p>4 DEG ±</p>	<p>AUTOCAD</p> <p>REL2014 LT</p> <p>INCH</p>	<p>DO NOT SCALE DRAWING FOR DIMENSIONS</p> <p>SHEET 1 OF 2</p> <p>SCALE 1:14</p>
<p>CONFIDENTIAL DISCLOSURE</p> <p>This drawing is the property of POWEREX, INC. of the SCOTT TETZER COMPANY and subject to return on demand. Its contents are confidential and must not be copied or submitted to outside parties for use or examination.</p>		
<p>DRAWN BY</p> <p>AEK</p>	<p>CHECKED BY</p> <p>GES</p>	<p>APPROVED BY</p> <p>DMS</p> <p>BC</p>
<p>MATERIAL</p> <p>N/A</p>	<p>DATE</p> <p>10/11/17</p>	<p>DATE</p> <p>10/11/17</p>
<p>PART NAME</p> <p>MED DUPLEX SCROLL EXP 10HP 200GAL BASEMOUNT DUPLEX DESICCANT</p>	<p>SIZE</p> <p>MSD10B5-EX3</p>	<p>SIZE</p> <p>D</p>

REV.	DATE	REVISION	DATE	BY	CHKD.
1B-1	ALL	RELEASE TO PRODUCTION	10/11/17	REC108	AEK
1C	ALL	UPDATES TO TEMP CENTER AND SSO	8/20/18	REC108	GES
1D	ALL	CHANGED TO TRIPLEX DRYERS, REORGANIZED TAG	8/26/18	REC108	GES



LEGEND

	RELIEF VALVE		PRESSURE SWITCH
	INTAKE FILTER		REGULATOR
	AIR FILTER		SEPARATOR
	3 WAY VALVE		CHECK VALVE
	CARBON FILTER		FLEX LINE
	BALL VALVE		HIGH TEMP SWITCH
			UNION

NOTES:

- 1) WITHOUT EXPANSION: IF LAG 1 COMPRESSOR IS ENERGIZED, ALARM WILL OCCUR. WITH EXPANSION: IF LAG 2 COMPRESSOR IS ENERGIZED, ALARM WILL OCCUR.
- 2) PIPING TO THE INLET BY OTHERS AND TO BE PER NFPA99 4-3.1.1.91b1
- 3) INSTRUMENTS DOWN STREAM OF SOURCE VALVE TO BE SUPPLIED BY OTHERS.

TOLERANCES: NOT SPECIFIED XX ± XXX ± 4 DEC. 3	AUTOCAD REL2014 LT INCH	DO NOT SCALE DRAWING FOR DIMENSIONS Sheet 2 of 2 SCALE 1:14
CONFIDENTIAL DISCLOSURE This drawing is the property of POWEREX, INC. of the SCOTT FETZER COMPANY and subject to return on demand. Its contents are confidential and must not be copied or submitted to outside parties for use or reproduction.		DRAWN BY: AEK CHECKED BY: GES APPROVED BY: DMS, BC
MATERIAL: N/A		 10000000000 10000000000
PART NAME: MEDICAL SCROLL DUPLEX EXPANDABLE TO TRIPLEX FLOW SCHEMATIC		DWG NO: MSD10B5-EX3 SIZE: D