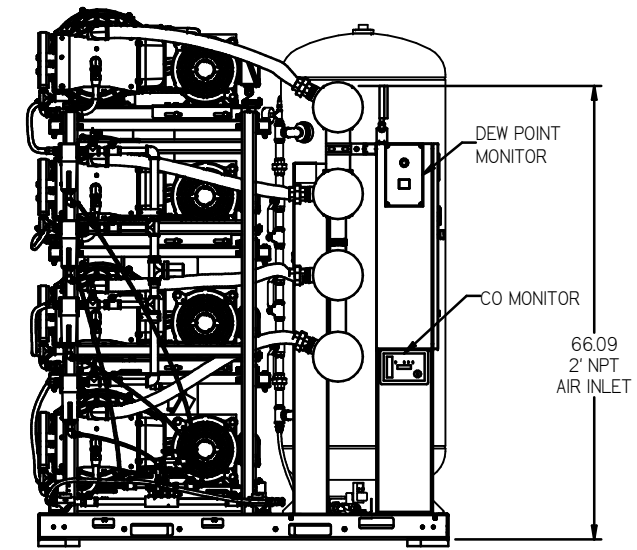
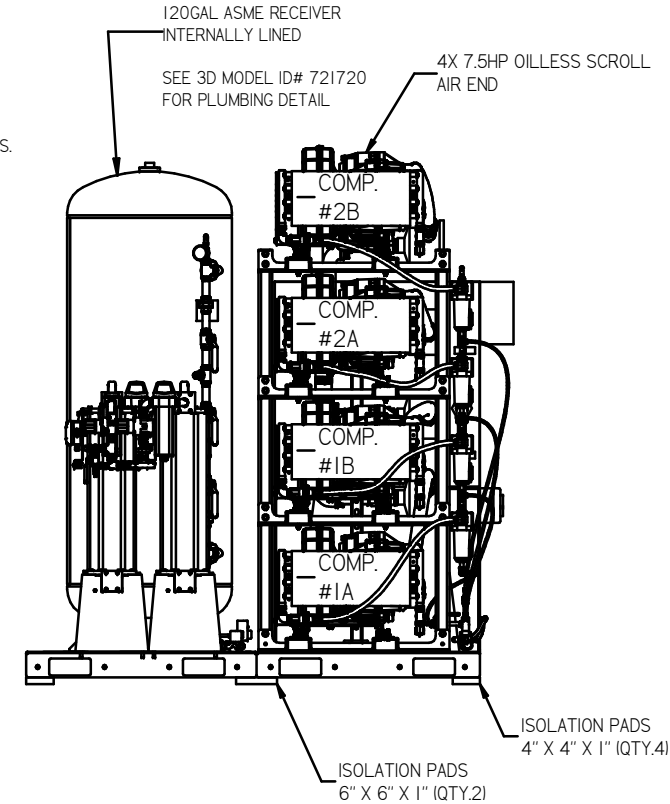
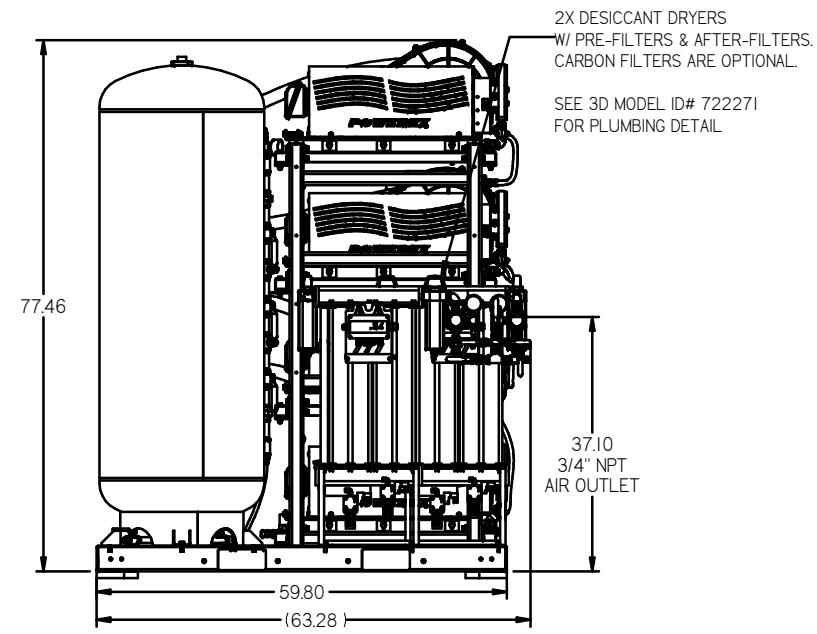
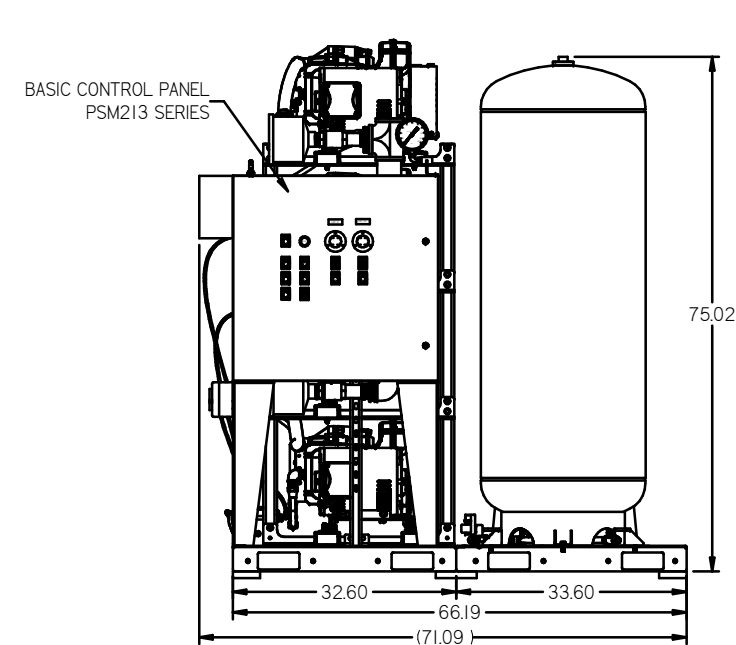
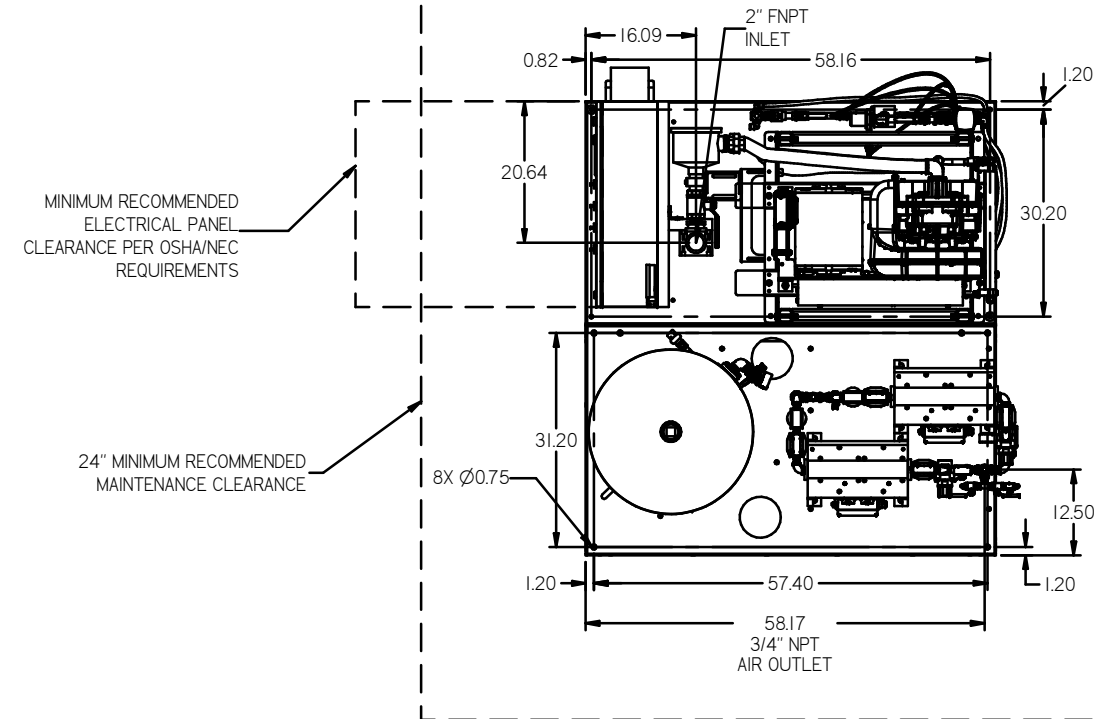


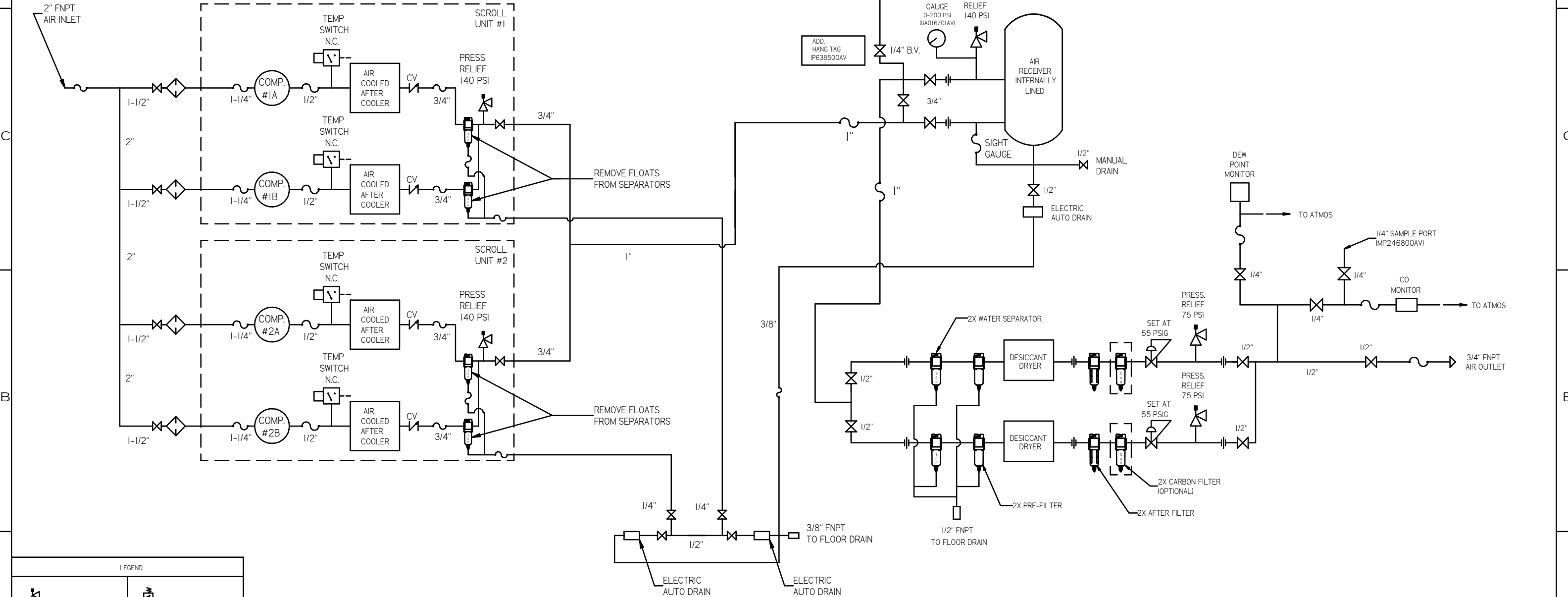
REV	ZONE	REVISION	DATE	ECN	NAME	DWD
B-1	ALL	RELEASE TO PRODUCTION	2/23/15	PREC015	AEK	DYS
C-1	ALL	WAVE 1 REDESIGN	4/4/15	PREC057	JBE	AEK
D-1	ALL	UPDATED TO CURRENT PRODUCTION STANDARDS	8/22/16	PREC038	AEK	GES
E-1	2 ALL	CORRECTED SEPARATOR DRAIN LINES TO 1/4"	01/11/17	PREC0167	MD	GES
	2 ALL	ADDED NOTE TO REMOVE SEPARATOR FLOAT				
	1 ALL	CORRECTED VIEW POSITIONING				
	1 ALL	ADDED OUTLINE FOR RECOMMENDED CLEARANCES				
F	ALL	CHANGED TO TRENT DRIVERS, WARGANTON TANK, UPDATED TO TEAM CENTER	8/13/18	PREC03009	GES	MMH



NOTE: SYSTEM DESIGNED IN COMPLIANCE WITH US NFPA'99, LATEST EDITION.

MINUS DRAFT PLUS DRAFT TOLERANCES NOT SPECIFIED XX ± XXX ± 2 DEC. 3	ADDITIONAL CONTROL REQ'D BRINELL HARDNESS AUTOCAD REL2000 INCH	Drawings to conform to the current revision of the following ANSI standards: Y14.3 Multi and sectional view dgs. Y14.98 Dimensioning and tolerancing
DO NOT SCALE DRAWING FOR DIMENSIONS Sheet 1 of 2 SCALE 1:14	DRWN BY: JBE CHECKED BY: AEK APPROVED BY: JA CT 2/23/15 2/23/15 2/23/15 2/23/15	
CONFIDENTIAL DISCLOSURE This drawing is the property of POWEREX, INC. of the SCOTT FETZER COMPANY and subject to return on demand. The contents are confidential and must not be copied or submitted to outside parties for use or reproduction.	<b>POWEREX</b> 15HP, 120GAL BASEMOUNT DUPLEX DESICCANT	
MATERIAL: N/A PART NAME: DUPLEX OILLESS SCROLL 15HP, 120GAL BASEMOUNT DUPLEX DESICCANT	ENG NO: MSD15B4	SIZE: D

REV	ZONE	REVISION	DATE	ECN	NAME	CHKD
B	ALL	RELEASE TO PRODUCTION	1/23/15	REQ005	JBE	AK
C-1	ALL	WAVE 1 REDESIGN	4/14/15	PREC0057	JBE	AK
D-1	ALL	UPDATED TO CURRENT PRODUCTION STANDARDS	6/22/16	PREC0139	AK	GES
E-1	2 ALL	CORRECTED SEPARATOR DRAIN LINES TO 1/4"				
	1 ALL	ADDED NOTE TO REMOVE SEPARATOR FLOAT				
	1 ALL	CORRECTED VIEW POSITIONING				
	1 ALL	ADDED OVERALL DIMENSIONS				
	1 ALL	ADDED OUTLINE FOR RECOMMENDED CLEARANCES				
	1 ALL	UPDATED INLET TREE				
F	ALL	CHANGED TO TRENK SHRES, MORGANTON TANK, UPDATED TO TEAM CENTER	8/19/19	REC035105	GES	WH



LEGEND	
	RELIEF VALVE
	INTAKE FILTER
	AIR FILTER
	3 WAY VALVE
	CARBON FILTER
	BALL VALVE
	PRESSURE SWITCH
	REGULATOR
	SEPARATOR
	CHECK VALVE
	FLEX LINE
	HIGH TEMP SWITCH
	UNION

NOTES  
 1) IF LAG 1 COMPRESSOR IS ENERGIZED, ALARM WILL OCCUR.  
 2) PIPING TO THE INLET BY OTHERS AND TO BE PER NFPA99 4-3.1.1.9(b)  
 3) INSTRUMENTS DOWN STREAM OF SOURCE VALVE TO BE SUPPLIED BY OTHERS.

TOLERANCES NOT SPECIFIED XX ± XXX ± < DEG. > ±	AUTOCAD REL.2000.1 INCH	DO NOT SCALE DRAWING FOR DIMENSIONS Sheet 2 of 2 SCALE 1:14
MATERIAL: N/A		PART NAME: 15HP SCROLL DUPLEX FLOW SCHEMATIC
DRAWN BY: JBE CHECKED BY: AK 2/23/15		APPROVED BY: JA CT 2/23/15 <b>POWEREX</b> 150 PRODUCTION DRIVE, HARRISBURG, OHIO 45030 PH: 800-765-7075 FAX: 614-313-3125
Dwg No: MSD15B4		SIZE: D

8

7

6

5

4

3

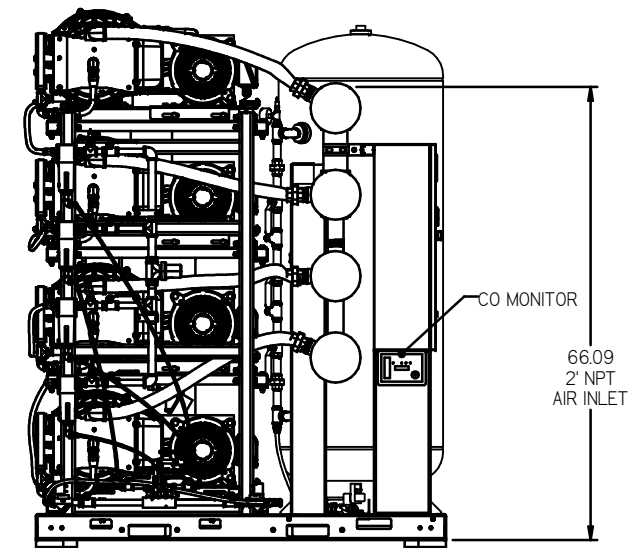
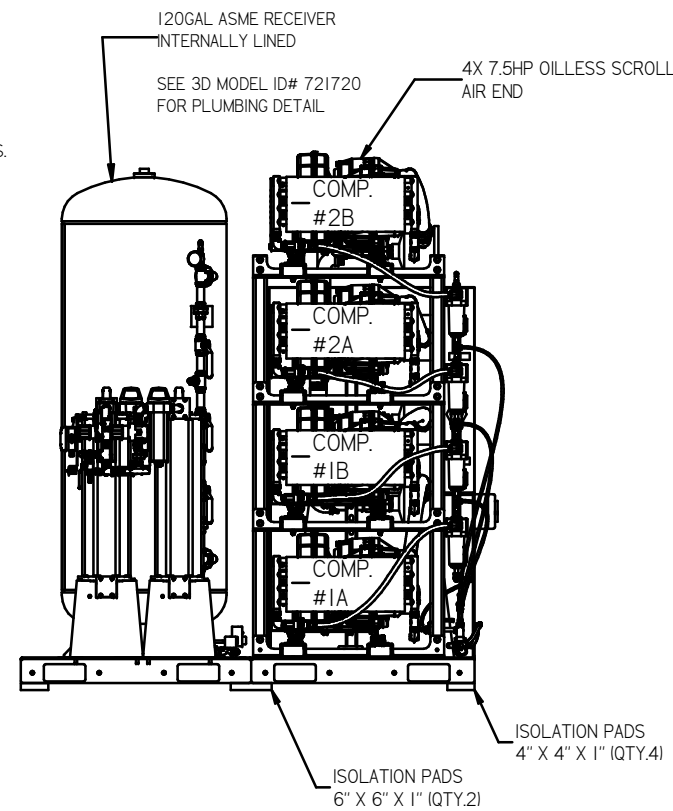
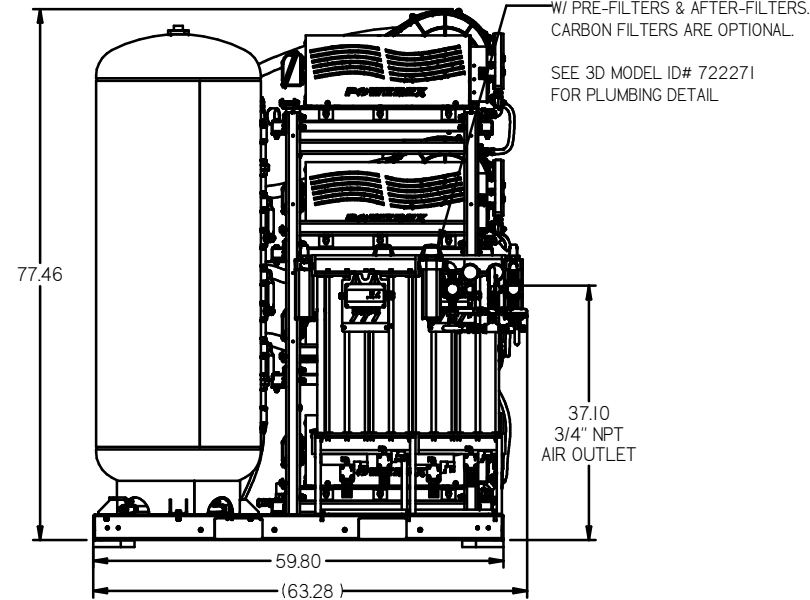
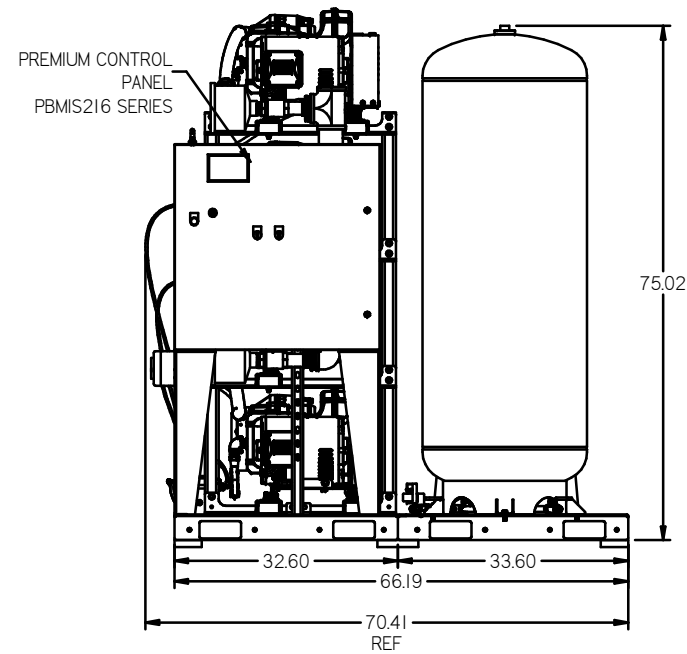
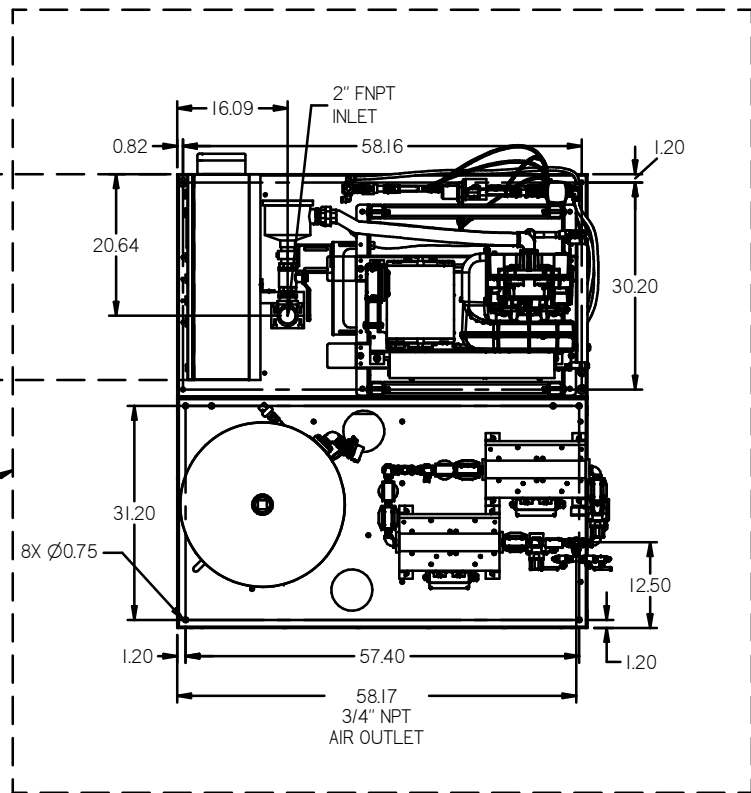
2

1

REV	ZONE	REVISION	DATE	ECN	NAME	CHKD
B-1	ALL	RELEASE TO PRODUCTION	7/23/15	EC0125	AK	JBE
C-1	ALL	WAVE 1 REDESIGN	4/14/15	PXC0057	JBE	AK
D-1	ALL	UPDATED TO CURRENT PRODUCTION STANDARDS	8/22/16	PXC0139	AK	GES
E-1	2 ALL	CORRECTED SEPARATOR DRAIN LINES TO INF				
	2 ALL	ADDED NOTE TO REMOVE SEPARATOR FLOAT				
	1 ALL	CORRECTED VIEW POSITIONING	01/11/17	PXC0167	AK	GES
	1 ALL	ADDED OVERALL DIMENSIONS				
	1 ALL	ADDED OUTLINE FOR RECOMMENDED CLEARANCES				
	1 ALL	UPDATED INLET TREE				
F	ALL	CHANGED TO PREVENT OPERS. MORGANTON TANK. UPDATED TO TEAM CENTER	8/13/19	PXC025029	AK	MH

MINIMUM RECOMMENDED ELECTRICAL PANEL CLEARANCE PER OSHA/NEC REQUIREMENTS

24" MINIMUM RECOMMENDED MAINTENANCE CLEARANCE



NOTE: SYSTEM DESIGNED IN COMPLIANCE WITH US NFPA'99, LATEST EDITION.

MINUS DRAFT PLUS DRAFT ADDITIONAL CONTROL REQ'D BRINELL HARDNESS	TOLERANCES NOT SPECIFIED XX ± XXX ± .XX DEC ±	AUTOCAD REL2000 INCH	DO NOT SCALE DRAWING FOR DIMENSIONS Sheet 1 of 2 SCALE 1:14
CONFIDENTIAL PROPRIETARY This drawing is the property of POWEREX, INC. or its SCOTT FETZER COMPANY and subject to return on demand. Its contents are confidential and must not be copied or submitted to outside parties for use or examination.		DRAWN BY JBE 2/23/15	CHECKED BY AK 2/23/15
MATERIAL N/A		APPROVED BY JA 2/23/15 <b>POWEREX</b> 150 PRODUCTION DRIVE, HARRISON, OHIO 43030 PH: 688-760-7075 FAX: 614-313-3613	
PART NAME DUPLEX OILLESS SCROLL 15HP, 120GAL. BASEMOUNT PXMI DUPLEX DESICCANT		DWG NO MSD15B4 SIZE D	

8

7

6

5

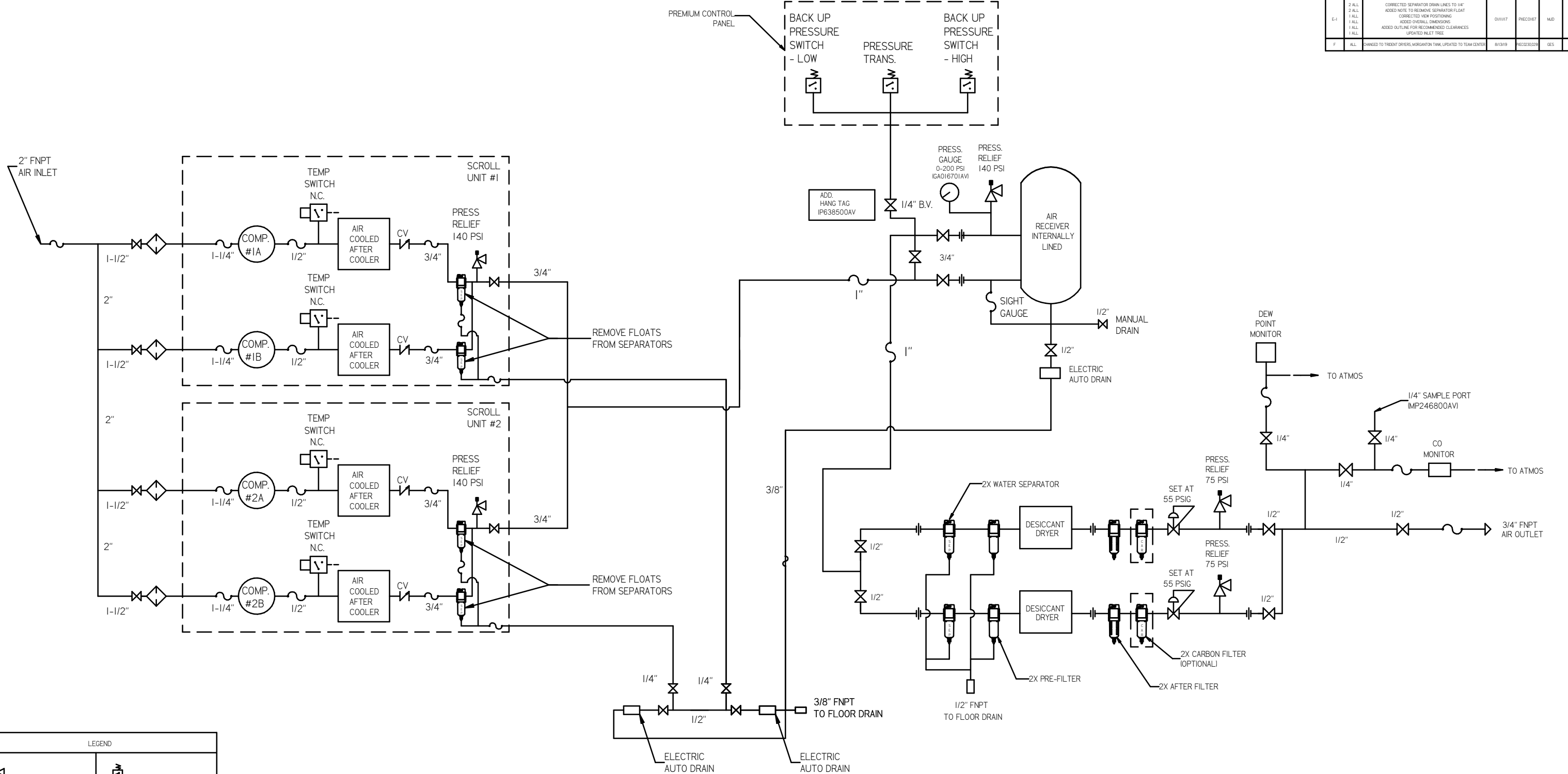
4

3

2

1

REV	ZONE	REVISION	DATE	ECN	NAME	CHKD
0-1	ALL	RELEASE TO PRODUCTION	2/23/15	20005	JBE	AEK
C-1	ALL	WAVE 1 REDESIGN	4/14/15	PREC0057	JBE	AEK
D-1	ALL	UPDATED TO CURRENT PRODUCTION STANDARDS	8/22/16	PREC0039	AEK	GES
E-1	ALL	CORRECTED SEPARATOR DRAIN LINES TO 1/4"	01/11/17	PREC0187	MJD	GES
F	ALL	CHANGED TO TROBET DRYERS, MORGANTON TANK, UPDATED TO TEAM CENTER	8/13/19	PREC02029	GES	MHJ



LEGEND	
	RELIEF VALVE
	INTAKE FILTER
	AIR FILTER
	3 WAY VALVE
	CARBON FILTER
	BALL VALVE
	PRESSURE SWITCH
	REGULATOR
	SEPARATOR
	CHECK VALVE
	FLEX LINE
	HIGH TEMP SWITCH
	UNION

NOTES:  
 1) IF LAG I COMPRESSOR IS ENERGIZED, ALARM WILL OCCUR.  
 2) PIPING TO THE INLET BY OTHERS AND TO BE PER NFPA99 4-3.1.1.9(b)  
 3) INSTRUMENTS DOWN STREAM OF SOURCE VALVE TO BE SUPPLIED BY OTHERS.

<p>MINUS DRAFT</p> <p>PLUS DRAFT</p> <p>ADDITIONAL CONTROL</p> <p>BRINELL HARDNESS</p>	<p>DO NOT SCALE DRAWING FOR DIMENSIONS</p> <p>AUTOCAD REL2000</p> <p>INCH</p> <p>Sheet 2 of 2</p> <p>SCALE 1:14</p>
<p>CONFIDENTIAL INFORMATION</p> <p>This drawing is the property of POWEREX, INC. of the SCOTT FELTZER COMPANY and subject to return or removal. Its contents are confidential and must not be copied or submitted to outside parties for use or examination.</p>	<p>DRAWN BY: JBE</p> <p>CHECKED BY: AEK</p> <p>APPROVED BY: JAR, CT</p> <p>DATE: 2/23/15, 2/23/15, 2/23/15, 2/23/15</p>
<p>MATERIAL: N/A</p> <p>PART NAME: 15HP SCROLL DUPLEX FLOW SCHEMATIC</p>	<p><b>POWEREX</b></p> <p>150 PRODUCTION DRIVE, HARRISBURG, OHIO 45030</p> <p>TEL: 800-760-7278 FAX: 614-313-3125</p> <p>SIZE: D</p>