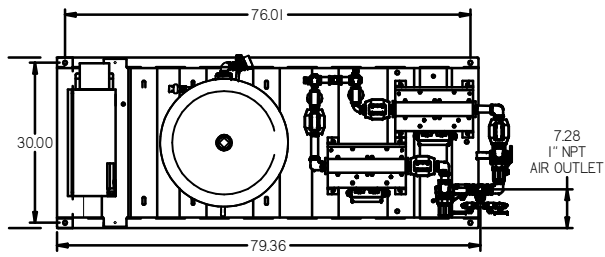
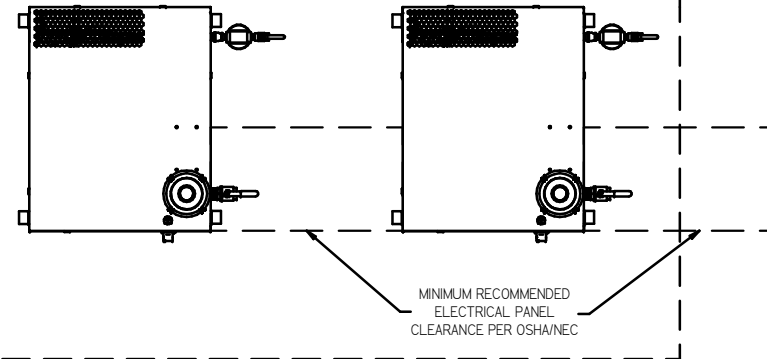


| REV | ZONE | REVISION | DATE | ECN | NAME | CHKD |
|-----|------|--|----------|----------|------|------|
| B-1 | ALL | RELEASED TO PRODUCTION | 12/8/16 | PKC0180 | GES | JA |
| B-2 | ALL | ADDED SEP CORR ALT PNL CORR NOTES CORRECTED FLOW | 12/31/17 | PKC0180 | GES | JA |
| C | ALL | UPDATED TO TEAM CENTER AND DESIG CORRECTED DRAWING | 9/13/18 | PKC0229 | GES | MHH |
| D | ALL | CHANGED TO TRIDENT CRISER, MORGANTAN TANK | 8/9/19 | PKC03023 | GES | MHH |

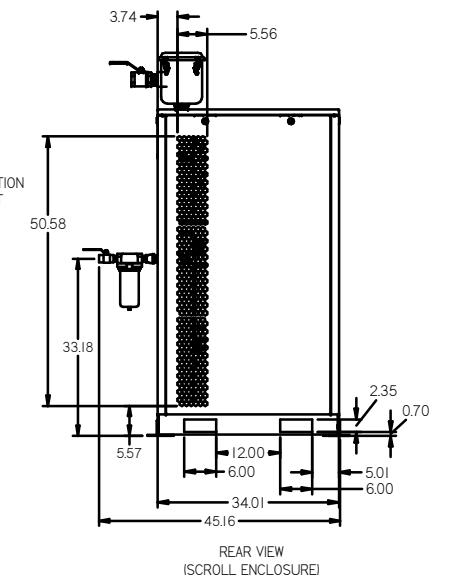
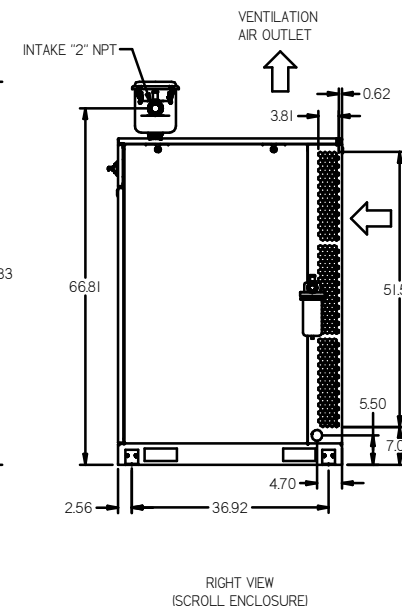
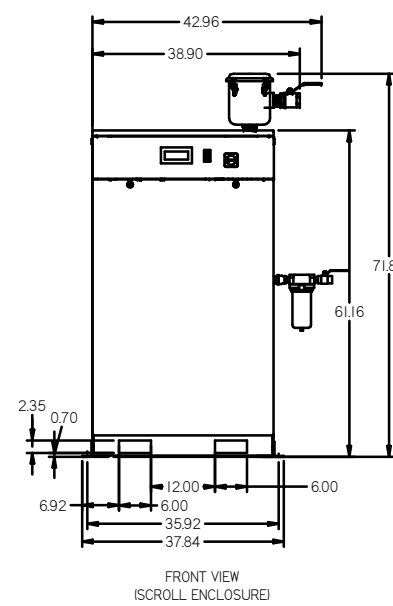
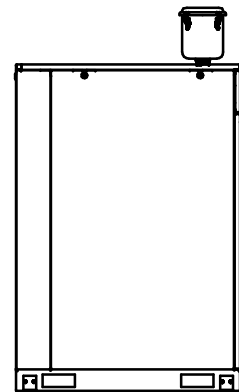
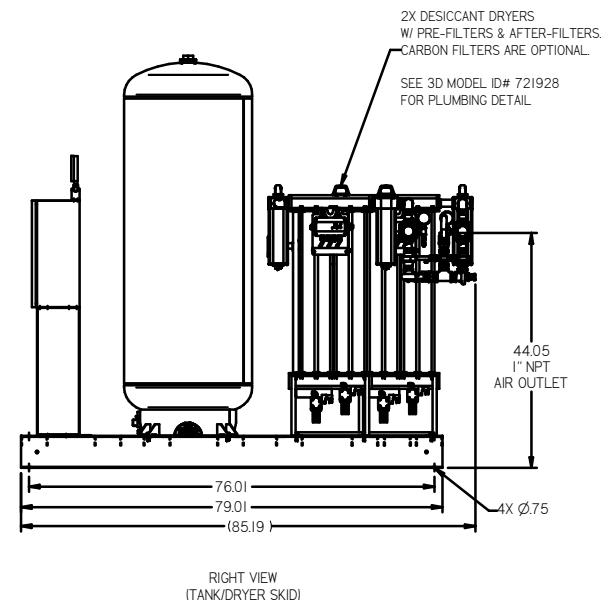
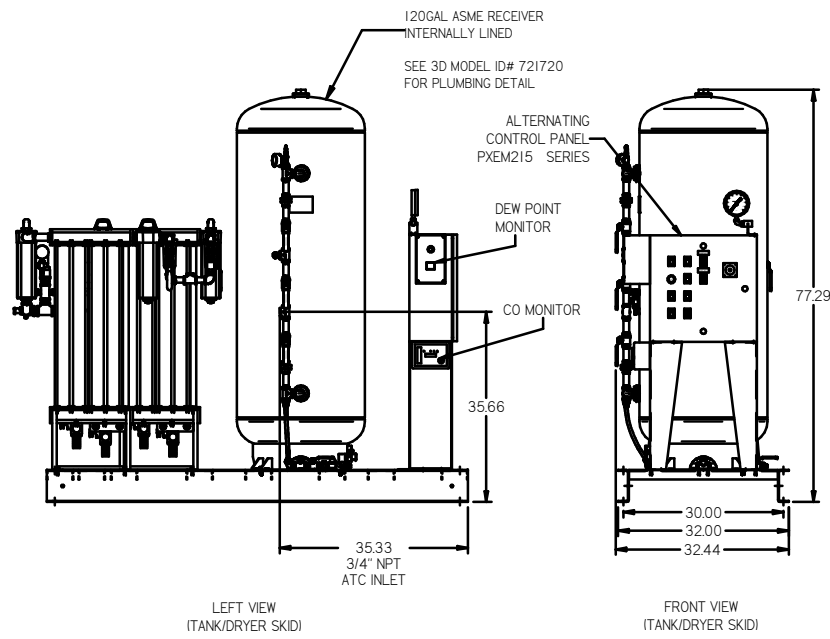
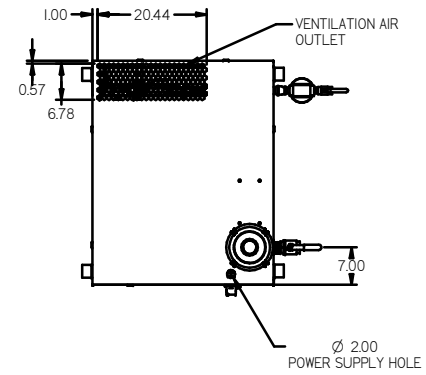
MINIMUM RECOMMENDED ELECTRICAL PANEL CLEARANCE PER OSHA/NEC



24" MINIMUM RECOMMENDED MAINTENANCE CLEARANCE



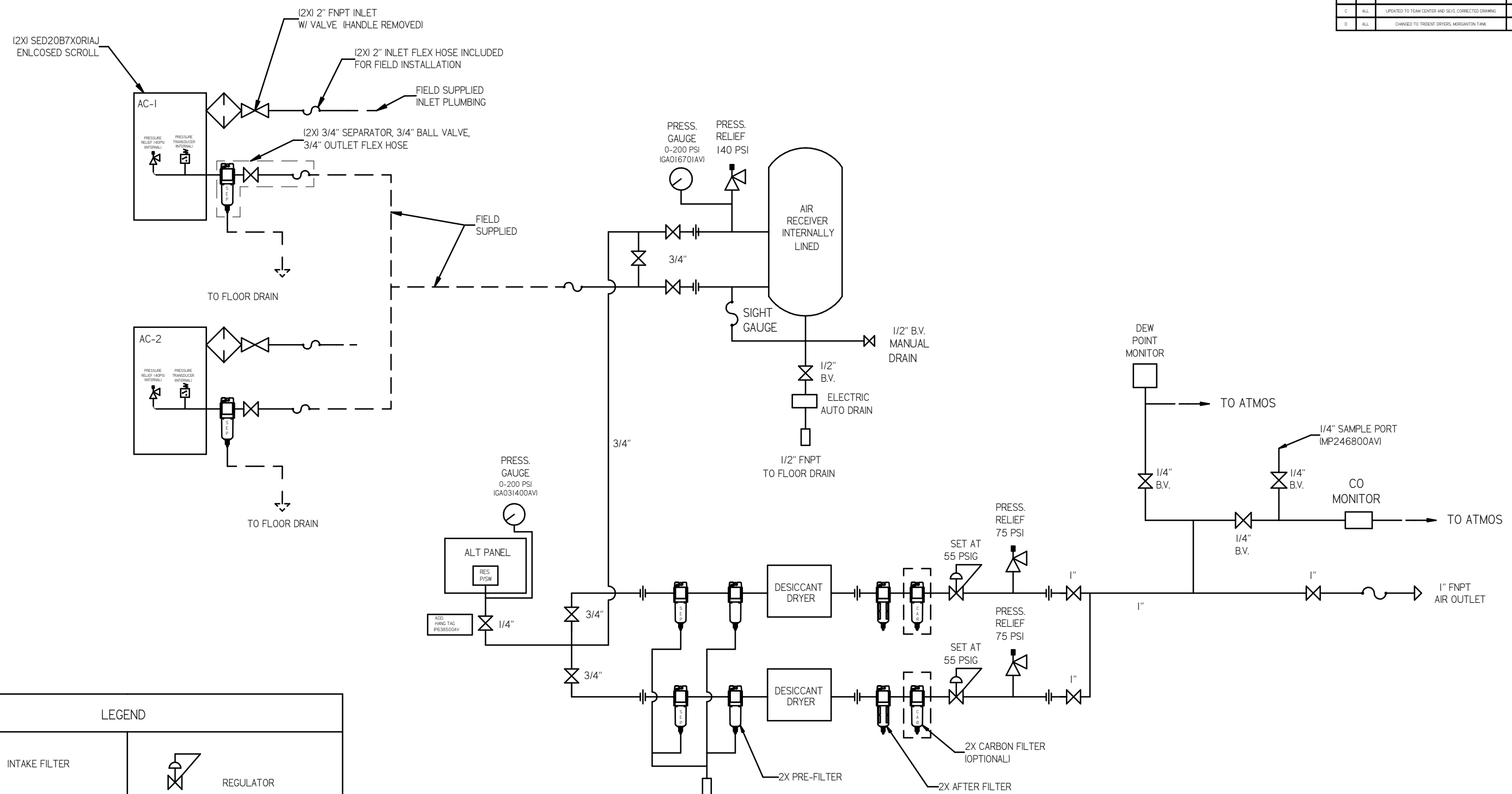
MINIMUM RECOMMENDED ELECTRICAL PANEL CLEARANCE PER OSHA/NEC



- NOTES:
 1) SHEET 1, UNIT LAYOUT.
 2) SHEET 2, UNIT FLOW SCHEMATIC.
 3) INLET CONNECTIONS: 2" FNPT X 2".
 4) SYSTEM OUTLET CONNECTION 1" FNPT X 1".
 5) POWER CONNECTION EACH ENCLOSURE: 1-230, OR 460 VOLT, ALTERNATION PANEL: 115V
 6) WHEN PACKAGE IS INSTALLED INTO THE FACILITY, VERIFY THE INSTALLER REFERENCES TABLE 110.26 (A) III FOR MINIMUM WORKING AREA.
 7) DIRECTION OF INTAKE CONNECTIONS MAY BE MODIFIED AT INSTALLATION BY ADJUSTING PIPE THREAD CONNECTIONS.

| | | |
|---|---|--|
| MINUS DRAFT PLUS DRAFT TOLERANCES NOT SPECIFIED XX ± 0.13 XXX ± 0.25 (DEG) ± 5° | ADDITIONAL CONTROL REQ'D BRINELL HARDNESS | Drawings to conform to the current revision of the following ANSI standards: 1) 2 Multi and sectional view dgs. 2) 4 2D Dimensioning and Tolerancing |
| AUTOCAD LT 2014 INCH | DO NOT SCALE DRAWING FOR DIMENSIONS Sheet 1 of 2 SCALE 1:18 | |
| CONFIDENTIAL ENCLOSURE This drawing is the property of POWEREX, INC. of the SCOTT FELZER COMPANY and subject to return on demand. Its contents are confidential and must not be copied or submitted to outside parties for use or examination. | CHECKED BY: RK, JA, JA, CT 12/8/16, 12/8/16, 12/8/16, 12/8/16 | POWEREX 150 PROSPECT AVE. HAVERTOWN, PA 19340 PH: 855-762-7272 FAX: (610) 367-2125 |
| MATERIAL: N/A PART NAME: MEDICAL SCROLL ENCLOSED 20HP DUPLEX | DWG NO: MSE D20B4 SIZE: D | |

| REV | ZONE | REVISION | DATE | ECN | NAME | QWD |
|-----|------|--|---------|----------|------|-----|
| B-1 | ALL | RELEASE TO PRODUCTION | 12/8/16 | REVISED | RK | JA |
| B-2 | ALL | ADDED SEP CORR ALT PNL CORR NOTES CORRECTED FLOW | 1/23/17 | PREC0190 | GES | JA |
| C | ALL | UPDATED TO TEAM CENTER AND S&D CORRECTED DRAWING | 8/13/18 | PREC0209 | GES | MMH |
| D | ALL | CHANGED TO TROCENT DRYERS, MORGANTON TANK | 8/8/19 | PREC0209 | GES | MMH |



| LEGEND | |
|--------|----------------|
| | INTAKE FILTER |
| | AIR FILTER |
| | BALL VALVE |
| | CARBON FILTER |
| | DIVERTER VALVE |
| | REGULATOR |
| | CHECK VALVE |
| | SEPERATOR |
| | FLEX JOINT |
| | UNION |

NOTES:
 1) SHEET 1, UNIT LAYOUT.
 2) SHEET 2, UNIT FLOW SCHEMATIC.
 3) INLET CONNECTIONS: 2" FNPT X 2.
 4) SYSTEM OUTLET CONNECTION: 1" FNPT X 1.
 5) POWER CONNECTION EACH ENCLOSURE: 1-230, OR 460 VOLT, ALTERNATION PANEL: 115V
 6) WHEN PACKAGE IS INSTALLED INTO THE FACILITY, VERIFY THE INSTALLER REFERENCES TABLE 110.26 (A) (II) FOR MINIMUM WORKING AREA.
 7) DIRECTION OF INTAKE CONNECTIONS MAY BE MODIFIED AT INSTALLATION BY ADJUSTING PIPE THREAD CONNECTIONS.

| | | |
|--|---|---|
| TOLERANCES NOT SPECIFIED XX ± .010 XX ± .005 2 DEC. ± .01" | AUTOCAD LT 2014 INCH | DO NOT SCALE DRAWING FOR DIMENSIONS Sheet 2 of 2 SCALE 1:18 |
| CONFIDENTIAL DISCLOSURE This drawing is the property of POWEREX, INC. or the SCOTT FETZER COMPANY and subject to return on demand. Its contents are confidential and must not be copied or submitted to outside parties for use or evaluation. | DRAWN BY: RK CHECKED BY: JA 12/8/16 | DESIGNED BY: CT 12/8/16 12/8/16 12/8/16 |
| MATERIAL: N/A PART NAME: ENCLOSED SCROLL FLOW SCHEMATIC | | Dwg No: MSED20B4 SIZE: D |