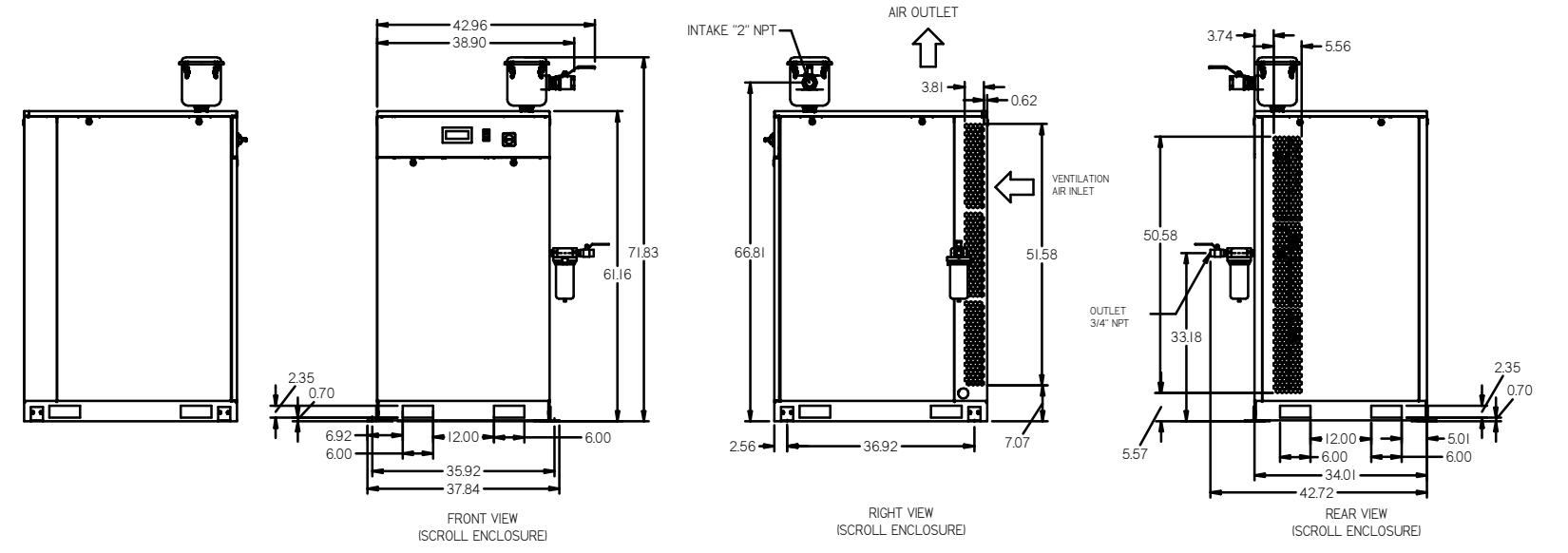
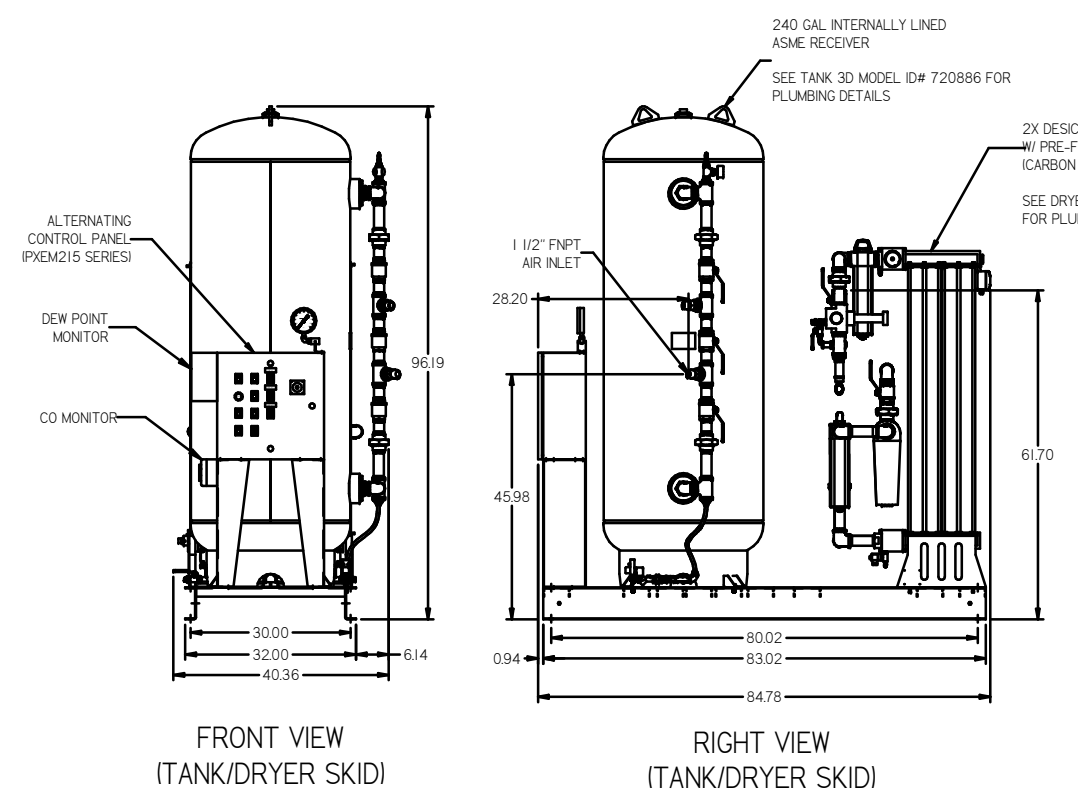
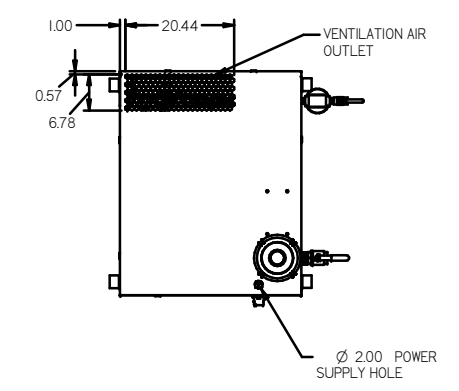
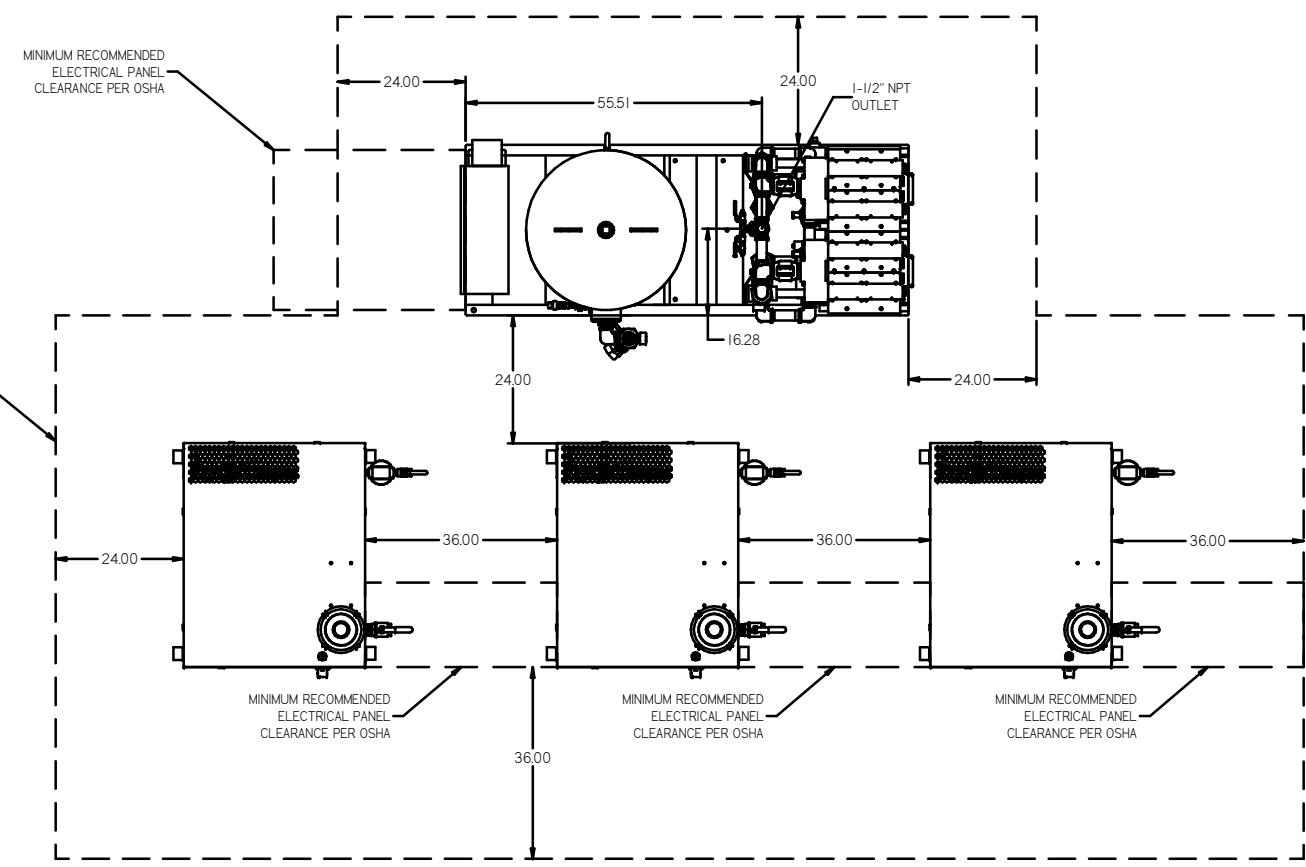


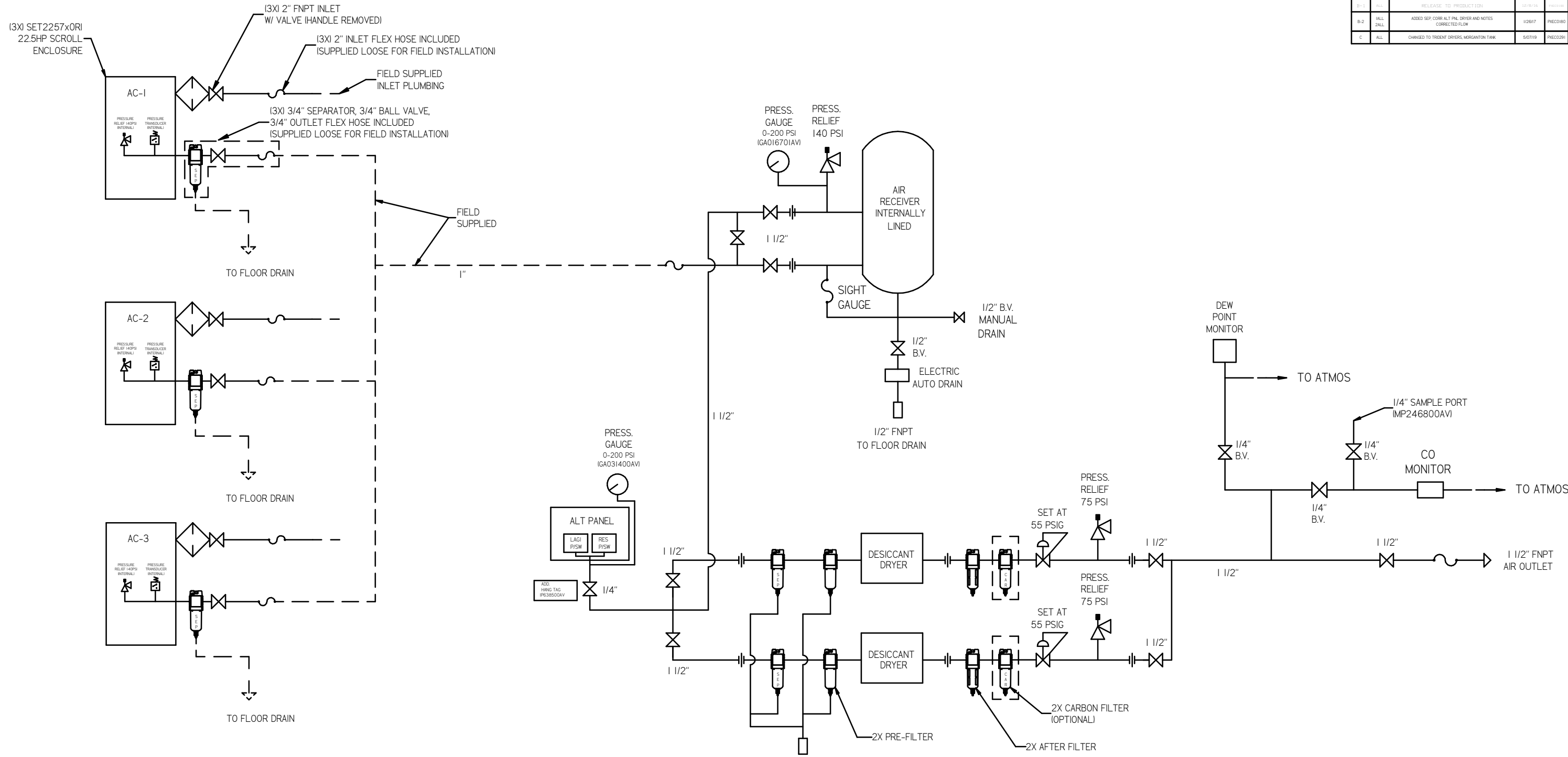
REV	ZONE	REVISION	DATE	ECN	NAME	CHKD
B	ALL	RELEASE FOR PRODUCTION	12/8/16		RK	JA
B-Q	ALL	ADDED SEP. CORR. ALT. PNL. DRYER AND NOTES CORRECTED FLOW	1/28/17		PKC0180	GES
C	ALL	CHANGED TO TREAT DRYERS, MORGANTON TANK	5/17/19		PKC0291	GES



- NOTES:
- 1) SHEET 1, UNIT LAYOUT.
  - 2) SHEET 2, UNIT FLOW SCHEMATIC.
  - 3) INLET CONNECTIONS 2" FNPT X 3.
  - 4) SYSTEM OUTLET CONNECTION 1 1/2" FNPT X 1.
  - 5) POWER CONNECTION EACH ENCLOSURE: 1-230, OR 460 VOLT, ALTERNATION PANEL: 115V
  - 6) WHEN PACKAGE IS INSTALLED INTO THE FACILITY, VERIFY THE INSTALLER REFERENCES TABLE 110.26 (A) (II) FOR MINIMUM WORKING AREA.
  - 7) DIRECTION OF INTAKE CONNECTIONS MAY BE MODIFIED AT INSTALLATION BY ADJUSTING PIPE THREAD CONNECTIONS.

<p>⊖ = MINUS DRAFT</p> <p>⊕ = PLUS DRAFT</p> <p>⊗ = ADDITIONAL CONTROL</p> <p>⊘ = BRINELL HARDNESS</p>	<p>Drawings to conform to the following ANSI standards:</p> <p>Y14.3 Multi- and sectional view drops</p> <p>Y14.9M Dimensioning and tolerancing</p>
<p>TOLERANCES NOT SPECIFIED:</p> <p>XX ± 0.16</p> <p>XXX ± 0.25</p> <p>DEG ± 0.1°</p>	<p>AUTOCAD LT 2014</p> <p>DO NOT SCALE DRAWING FOR DIMENSIONS</p> <p>Sheet 1 of 2</p> <p>SCALE 1:18</p>
<p>CONFIDENTIAL ENCLOSURE</p> <p>This drawing is the property of POWEREX, INC. of the SCOTT FETZER COMPANY and subject to return on demand. Its contents are confidential and must not be copied or submitted to outside parties for use or examination.</p>	<p>DRWN BY: RK</p> <p>CHECKED BY: JA</p> <p>DATE: 12/8/16</p> <p>DATE: 12/8/16</p> <p>DATE: 12/8/16</p> <p>DATE: 12/8/16</p>
<p>MATERIAL: N/A</p> <p>PART NAME: MEDICAL ENCL SCROLL</p> <p>SIZE: 22.5HP TRIPLEX</p>	<p><b>POWEREX</b></p> <p>130 PROUD DR. DRILE, DEPT. 1000</p> <p>PH: 888-765-7979 FAX: (513) 367-3125</p> <p>SIZE: MSET2256</p>

REV	ZONE	REVISION	DATE	ECN	NAME	CHKD
B-1	ALL	RELEASED TO PRODUCTION	12/8/16		RK	JA
B-2	ALL	ADDED SEP. CORR. ALT. PNL. DRYER AND NOTES CORRECTED FLOW	12/8/16		PRECOURT	GES
C	ALL	CHANGED TO TRIDENT DRIVERS, MORGANTON TANK	5/27/19		PRECOURT	GES



LEGEND	
	INTAKE FILTER
	AIR FILTER
	BALL VALVE
	CARBON FILTER
	DIVERTER VALVE
	REGULATOR
	CHECK VALVE
	SEPERATOR
	FLEX JOINT
	UNION

- NOTES:  
 1) SHEET 1, UNIT LAYOUT.  
 2) SHEET 2, UNIT FLOW SCHEMATIC.  
 3) INLET CONNECTIONS 2" FNPT X 3.  
 4) SYSTEM OUTLET CONNECTION 1 1/2" FNPT X 1.  
 5) POWER CONNECTION EACH ENCLOSURE 1-230, OR 460 VOLT, ALTERNATION PANEL: 115V  
 6) WHEN PACKAGE IS INSTALLED INTO THE FACILITY, VERIFY THE INSTALLER REFERENCES TABLE 110.26 (A) (I) FOR MINIMUM WORKING AREA.  
 7) DIRECTION OF INTAKE CONNECTIONS MAY BE MODIFIED AT INSTALLATION BY ADJUSTING PIPE THREAD CONNECTIONS.

SYMBOL LEGEND: = MINUS DRAFT = PLUS DRAFT = ADDITIONAL CONTROL REQ'D = BRINELL HARDNESS	Drawing to conform to the current revision of the following ANSI standards: Y14.3 Multi and sectional view dgs. Y14.9 Dimensioning and tolerancing.
TOLERANCES NOT SPECIFIED: XX ± .010 YYY ± .005 Z (NEG.) ± .002	AUTOCAD LT 2014 DO NOT SCALE DRAWING FOR DIMENSIONS Sheet 2 of 2 SCALE 1:18
CONFIDENTIAL DISCLOSURE This drawing is the property of POWEREX, INC. or the SCOTT FELTZER COMPANY and subject to return on demand. Its contents are confidential and must not be copied or submitted to outside parties for use or examination.	DRAWN BY: RK CHECKED BY: JA APPROVED BY: JA, ET 12/8/16, 12/8/16, 12/8/16, 12/8/16
MATERIAL: N/A PART NAME: MEDICAL ENCL SCROLL FLOW SCHEMATIC	 100 PRODUCTION DRIVE, HARRISBURG, OHIO 44333 TEL: 330-743-2274 FAX: 330-743-2422 ORIG NO: MSET2256 SIZE: D