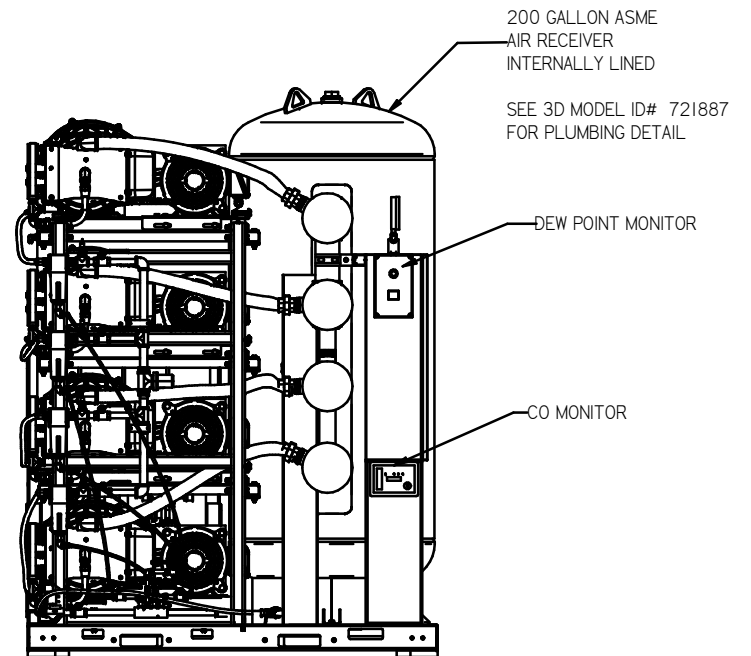
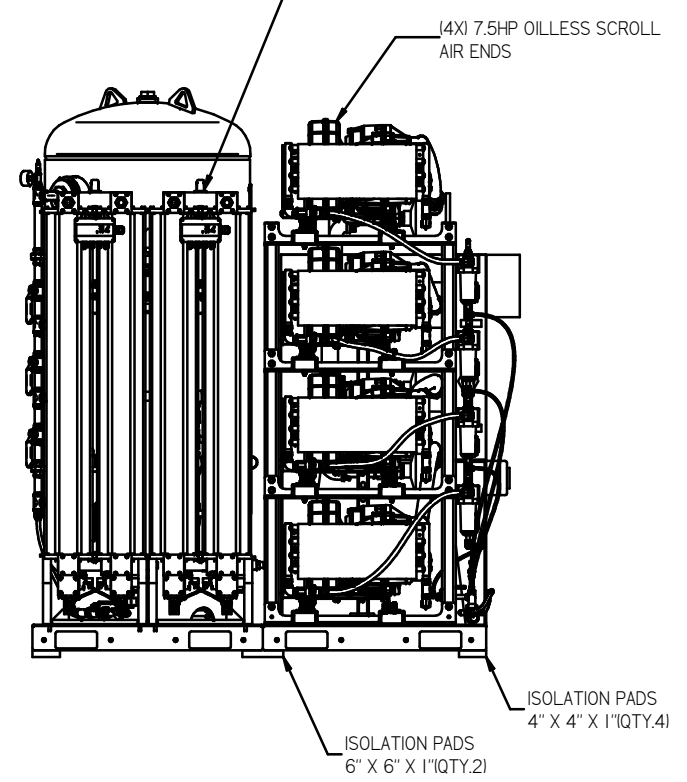
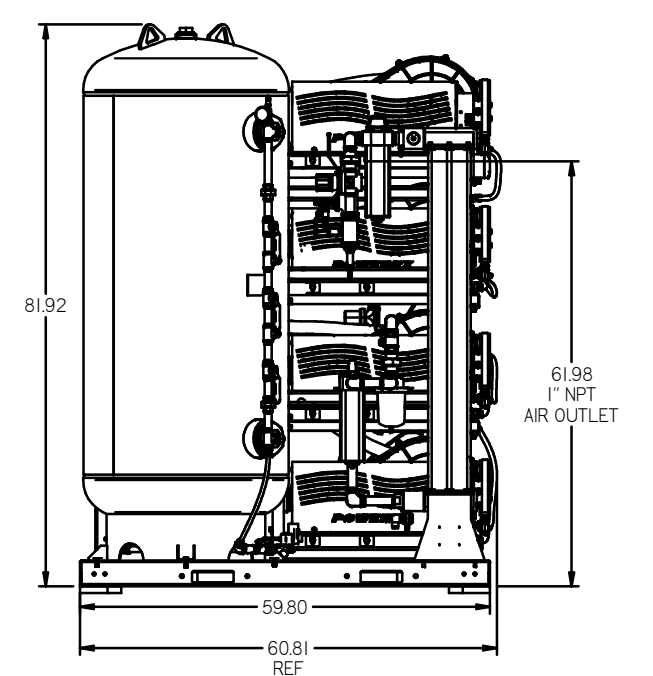
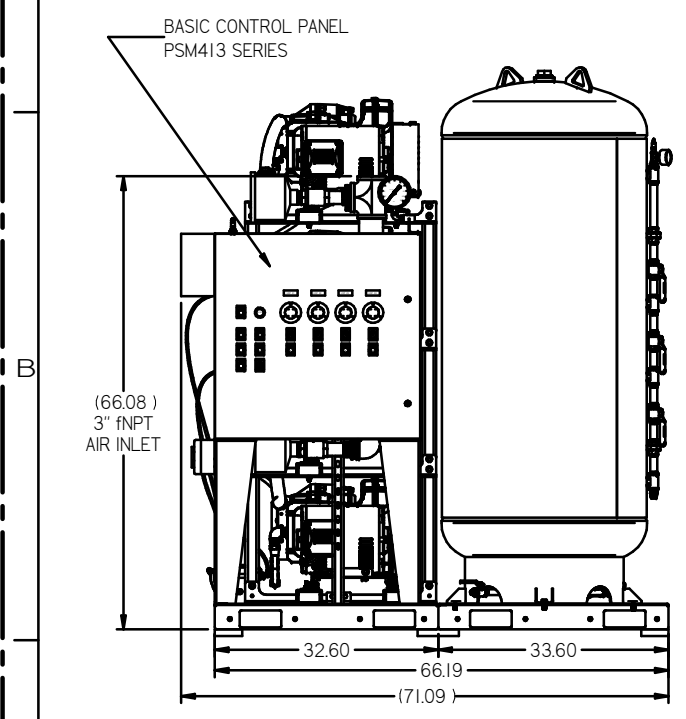
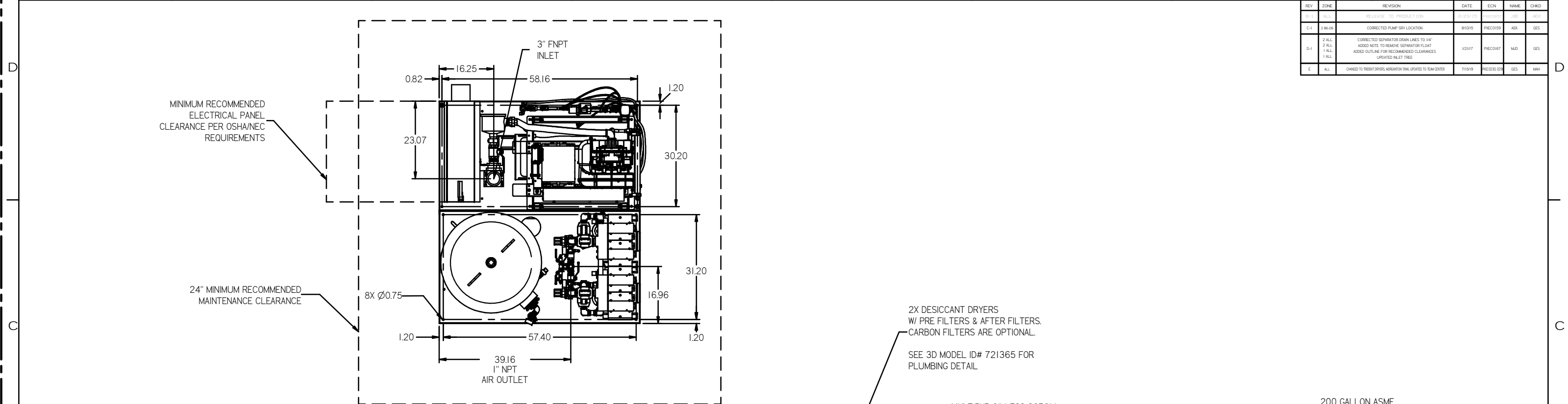


REV	ZONE	REVISION	DATE	ECN	NAME	CHKD
0	ALL	RELEASE TO PRODUCTION	7/27/15		JBE	MS
C-1	2	CORRECTED PUMP SRV LOCATION	8/10/15		PKC0159	AK
D-1	2 ALL 1 ALL 1 ALL	CORRECTED SEPARATOR DRAIN LINES TO 1/4" ADDED NOTE TO REMOVE SEPARATOR FLOAT ADDED OUTLINE FOR RECOMMENDED CLEARANCES UPDATED INLET TREE	12/17/17		PKC0167	MD
E	ALL	OWNED TO TREAT DRYERS, MIGRATION TANK UPDATED TO TEAM CENTER	7/15/19		PKC030_025	GES

8 7 6 5 4 3 2 1



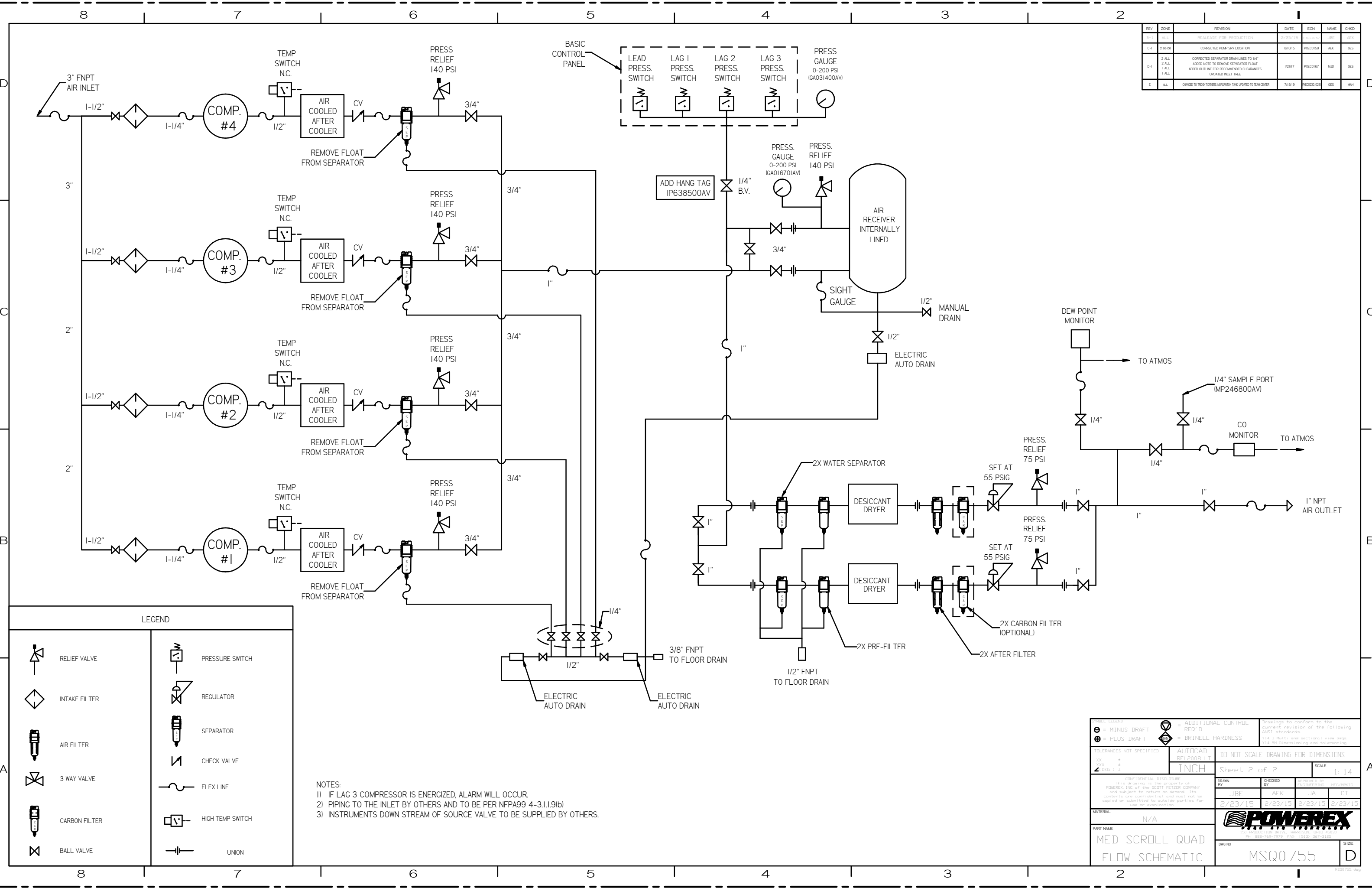
NOTE: SYSTEM DESIGNED IN COMPLIANCE WITH US NFPA'99, LATEST EDITION.

<p>Legend:</p> <ul style="list-style-type: none"> <li>⊖ = MINUS DRAFT</li> <li>⊕ = PLUS DRAFT</li> <li>⊖ = ADDITIONAL CONTROL REQ'D</li> <li>⊕ = BRINELL HARDNESS</li> </ul>	<p>Drawings to conform to the current revision of the following ASME standards:</p> <ul style="list-style-type: none"> <li>Y14.3 Multi and section view dsgs</li> <li>Y14.3M Dimensioning and tolerancing</li> </ul>
<p>TOLERANCES NOT SPECIFIED</p> <p>XX ±</p> <p>XXX ±</p> <p>∠ DEG ±</p>	<p>AUTOCAD RELEASE 1.7</p> <p>DO NOT SCALE DRAWING FOR DIMENSIONS</p> <p>Sheet 1 of 2</p> <p>SCALE 1:14</p>
<p>CONFIDENTIAL DISCLOSURE: This drawing is the property of POWEREX, INC. or THE SCOTT FETZER COMPANY and subject to return on demand. Its contents are confidential and must not be copied or submitted to outside parties for use or examination.</p>	<p>DRWN BY: JBE</p> <p>CHECKED BY: DHS</p> <p>APPROVED BY: JA, CT</p> <p>2/23/15 2/23/15 2/23/15 2/23/15</p>
<p>MATERIAL: N/A</p> <p>PART NAME: 7.5HP 200 GAL MED BASIC QUAD SCROLL</p>	<p><b>POWEREX</b></p> <p>150 PRODUCTION DRIVE, HARRISBURG, OHIO 45030</p> <p>PH: 600-765-7075 FAX: 610-362-3105</p> <p>DWG NO: MSQ0755</p> <p>SIZE: D</p>

MSQ0755.dwg

8 7 6 5 4 3 2 1

REV	ZONE	REVISION	DATE	ECN	NAME	CHKD
D-1	ALL	RELEASE FOR PRODUCTION	7/23/15		JBE	AEK
C-4	2, 3, 4, 6	CORRECTED PUMP SRV LOCATION	8/10/15		PREC0159	AEK
D-4	2, 3, 4, 6	CORRECTED SEPARATOR DRAW LINES TO 14" ADDED NOTE TO REMOVE SEPARATOR FLOAT ADDED OUTLINE FOR RECOMMENDED CLEARANCES UPDATED INLET TREE	11/21/17		PREC0167	MJD
E	ALL	CHANGED TO TREAT DRUGS MORGAN TANK, UPDATED TO TEAM CENTER	7/15/19		PREC031028	GES



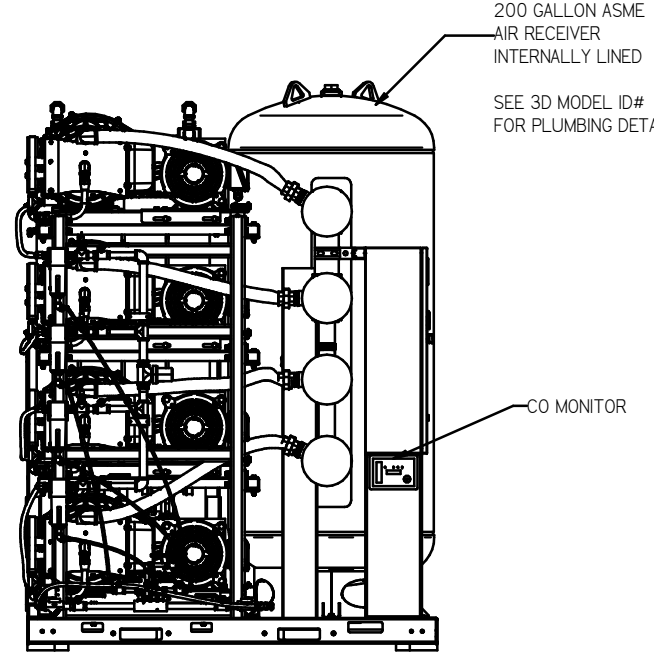
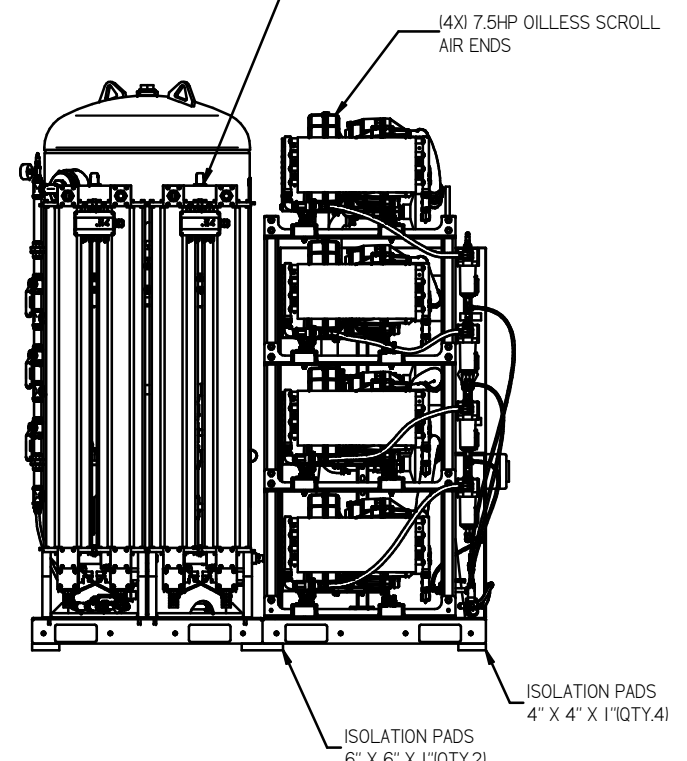
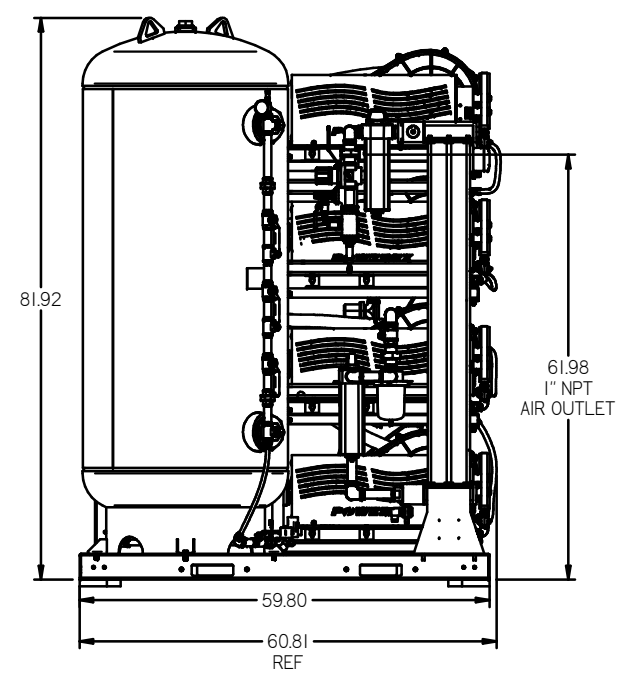
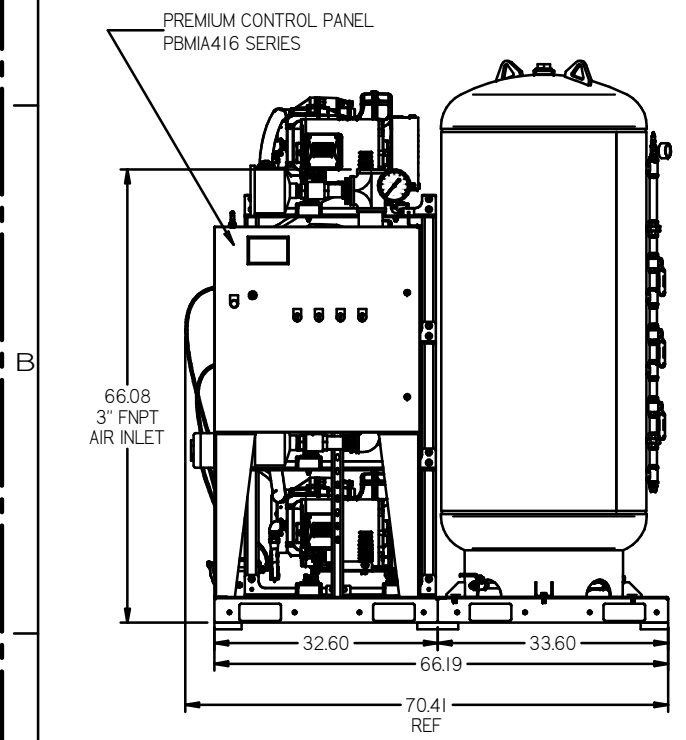
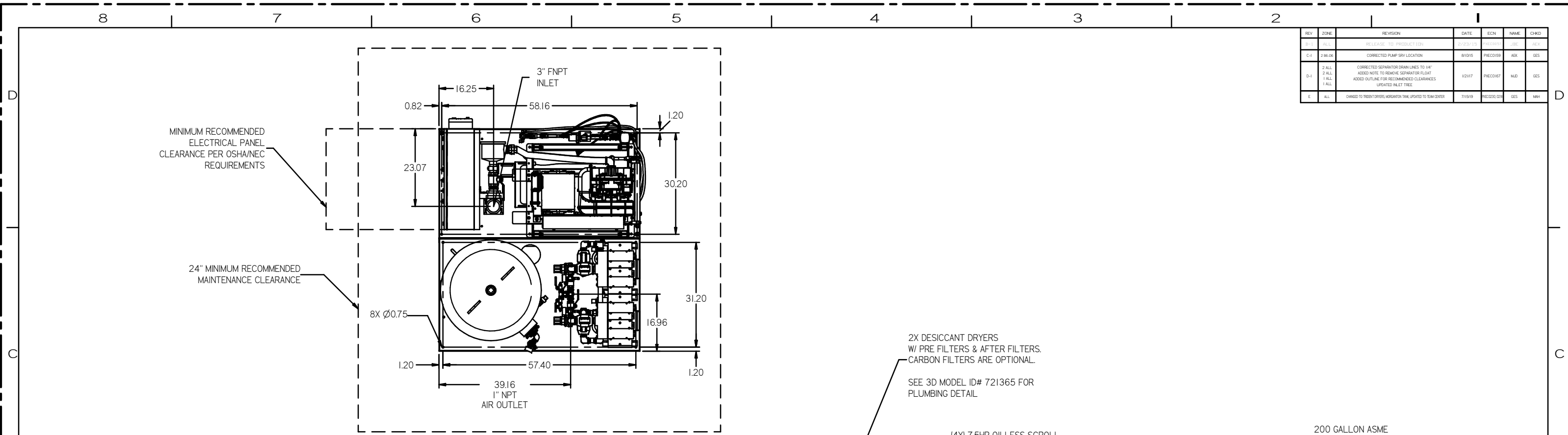
**LEGEND**

	RELIEF VALVE		PRESSURE SWITCH
	INTAKE FILTER		REGULATOR
	AIR FILTER		SEPARATOR
	3 WAY VALVE		CHECK VALVE
	CARBON FILTER		FLEX LINE
	BALL VALVE		HIGH TEMP SWITCH
			UNION

**NOTES:**  
 1) IF LAG 3 COMPRESSOR IS ENERGIZED, ALARM WILL OCCUR.  
 2) PIPING TO THE INLET BY OTHERS AND TO BE PER NFPA99 4-3.1.1.9(b)  
 3) INSTRUMENTS DOWN STREAM OF SOURCE VALVE TO BE SUPPLIED BY OTHERS.

TOLERANCES NOT SPECIFIED: XX ± YYY ± Z (DEC.) ±	AUTOCAD REL2008 LT <b>INCH</b>	DO NOT SCALE DRAWING FOR DIMENSIONS Sheet 2 of 2 SCALE 1:14
CONFIDENTIAL INFORMATION This drawing is the property of POWEREX, INC. or the SCOTT FELTZER COMPANY and subject to return or demand. Its contents are confidential and must not be copied or submitted to outside parties for use or examination.	DRAWN BY JBE	CHECKED BY AEK
MATERIAL N/A	APPROVED BY JA	DATE 2/23/15
PART NAME MED SCROLL QUAD FLOW SCHEMATIC		DATE 2/23/15
DWG NO MSQ0755	SIZE D	DATE 2/23/15

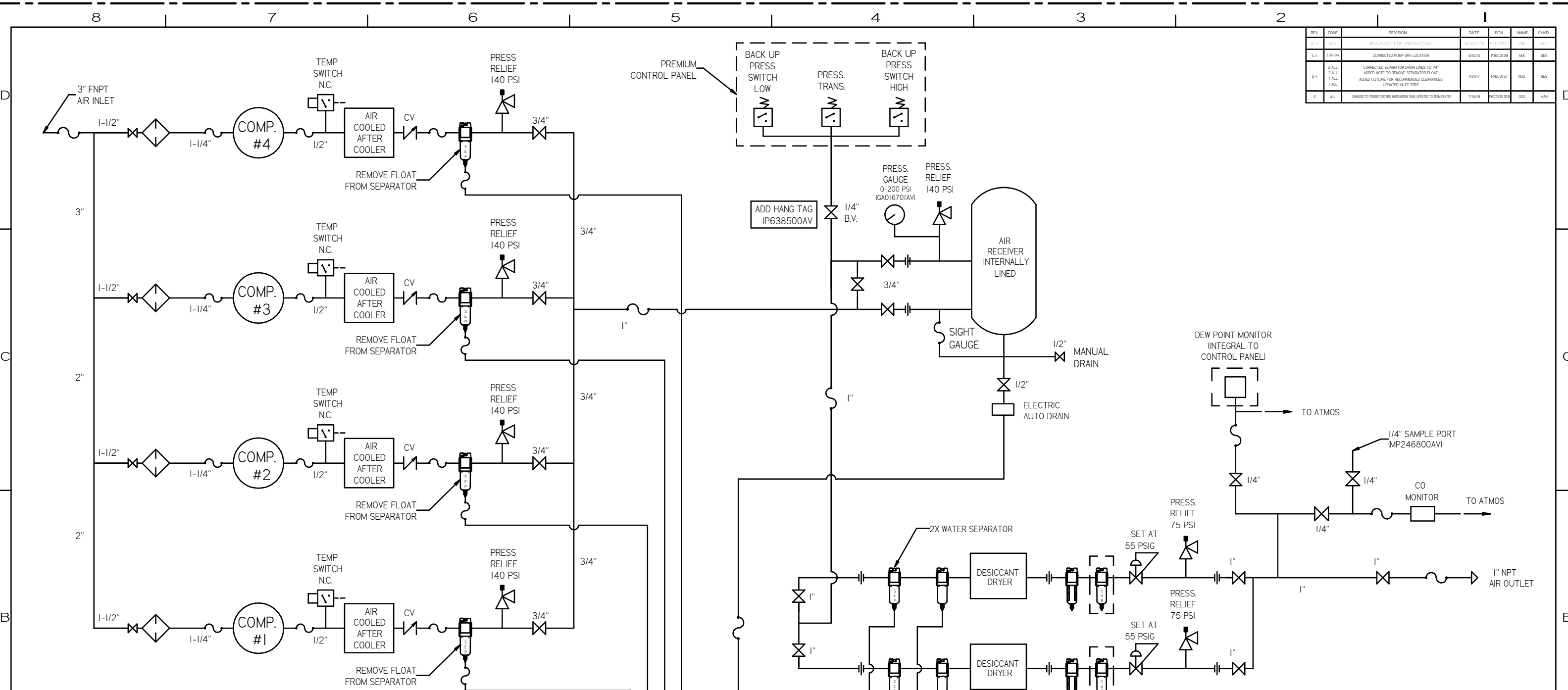
REV	ZONE	REVISION	DATE	ECN	NAME	CHKD
B-1	ALL	RELEASE TO PRODUCT ION	8/23/15	PREC0017	JBE	AEK
C-1	2 B&D	CORRECTED PUMP DRV LOCATION	9/09/15	PREC0059	AEK	GES
D-1	2 ALL 2 ALL 1 ALL 1 ALL	CORRECTED SEPARATOR DRAIN LINES TO I44 ADDED NOTE TO REMOVE SEPARATOR FLOAT ADDED OUTLINE FOR RECOMMENDED CLEARANCES UPDATED INLET TREE	12/01/17	PREC0187	MJD	GES
E	ALL	CHANGED TO TIGHTEN DRIP/LEAKAGE/TWA UPDATED TO TEAM CENTER	7/18/19	PREC0202	GES	NW



NOTE: SYSTEM DESIGNED IN COMPLIANCE WITH US NFPA'99, LATEST EDITION.

TOLERANCES UNLESS SPECIFIED: XX ± .005 XXX ± .010 Z (SEE 1) ± .015	AUTOCAD REL2008 LT INCH	ADDITIONAL CONTROL REQ'D = BRINELL HARDNESS	Drawings to conform to the current revision of the following ANSI standards: Y14.3 (Mechanical drawing) and optional view dep Y14.9M (Dimensioning and tolerancing)
TOLERANCES NOT SPECIFIED		DO NOT SCALE DRAWING FOR DIMENSIONS	
SHEET 1 OF 2		SCALE 1:14	
CONFIDENTIAL DISCLOSURE: This drawing is the property of POWEREX, Inc. or its SCOTT PEXCO COMPANY and subject to return on demand. Its contents are confidential and must not be copied or submitted to outside parties for use or reproduction.		DRAWN BY: JBE CHECKED BY: DMS APPROVED BY: JA, CT DATE: 2/23/15, 2/23/15, 2/23/15, 2/23/15	
MATERIAL: N/A			
PART NAME: 7.5HP 200 GAL MED PXMI QUAD SCROLL		DWG NO: MSQ0755 SIZE: D	

REV	ZONE	REVISION	DATE	ECN	NAME	CHKD
1	ALL	RELEASE FOR PROJECT USE	1/23/15		JBE	AEK
2	2 INCH	CORRECTED PUMP SRV LOCATION	8/10/15		PKC0159	AEK
3	2 ALL	CORRECTED SEPARATOR DRAIN LINES TO 1/4"				
4	2 ALL	ADDED NOTE TO REMOVE SEPARATOR FLOAT	10/21/17		PKC0167	MAJ
5	1 ALL	ADDED OUTLINE FOR RECOMMENDED CLEARANCES				
6	1 ALL	UPDATED INLET TREE				
7	ALL	CHANGED TO TREAT DRIVERS MIGRATION TASK UPDATED TO TEAM CENTER	7/15/19		PKC020_028	GES
8	ALL					MAH



**LEGEND**

	RELIEF VALVE		PRESSURE SWITCH
	INTAKE FILTER		REGULATOR
	AIR FILTER		SEPARATOR
	3 WAY VALVE		CHECK VALVE
	CARBON FILTER		FLEX LINE
	BALL VALVE		HIGH TEMP SWITCH
			UNION

**NOTES:**  
 1) IF LAG 3 COMPRESSOR IS ENERGIZED, ALARM WILL OCCUR.  
 2) PIPING TO THE INLET BY OTHERS AND TO BE PER NFPA99 4-3.1.1.9(b)  
 3) INSTRUMENTS DOWN STREAM OF SOURCE VALVE TO BE SUPPLIED BY OTHERS.

<b>TOLERANCES NOT SPECIFIED</b> XX ± .005 Z (REG.) ± .010		AUTOCAD REL2008 LT <b>INCH</b>	DO NOT SCALE DRAWING FOR DIMENSIONS Sheet 2 of 2 SCALE 1:14
CONFIDENTIAL DISCLOSURE This drawing is the property of POWEREX, INC. or the SCOTT FETZER COMPANY and subject to return on demand. Its contents are confidential and must not be copied or submitted to outside parties for use or dissemination.		DRAWN BY JBE	CHECKED BY AEK
MATERIAL N/A		APPROVED BY JA	DATE 2/23/15
PART NAME <b>MED SCROLL QUAD</b> <b>FLOW SCHEMATIC</b>		 150 PRODUCTION DRIVE, HARRISBURG, OHIO 43083 PH: 614-225-7070 FAX: 614-225-7415	
DWG NO <b>MSQ0755</b>		SIZE <b>D</b>	