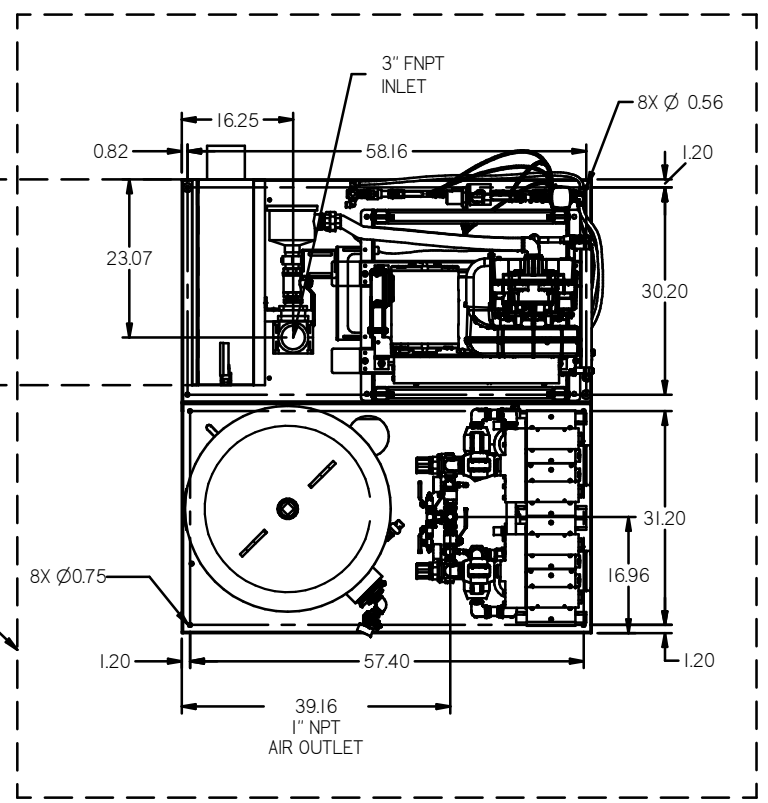


REV	ZONE	REVISION	DATE	ECN	NAME	CHKD
B	ALL	RELEASED FOR PRODUCTION	10/13/16		GES	RES
C	ALL	CHANGED TO TRENCH DRIVERS, MORGANTON TANK, UPDATED TO TEAM CENTER	7/18/19		RES/0230/026	GES

MINIMUM RECOMMENDED ELECTRICAL PANEL CLEARANCE PER OSHA/NEC REQUIREMENTS

24" MINIMUM RECOMMENDED MAINTENANCE CLEARANCE



2X DESICCANT DRYERS W/ PRE FILTERS & AFTER FILTERS. CARBON FILTERS ARE OPTIONAL.
SEE 3D MODEL ID# 721365 FOR PLUMBING DETAIL

FUTURE EXPANSION BASEMOUNT

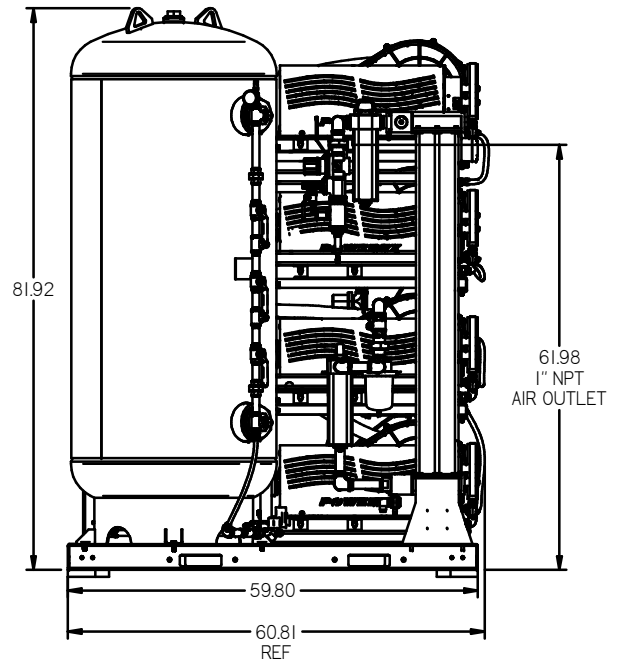
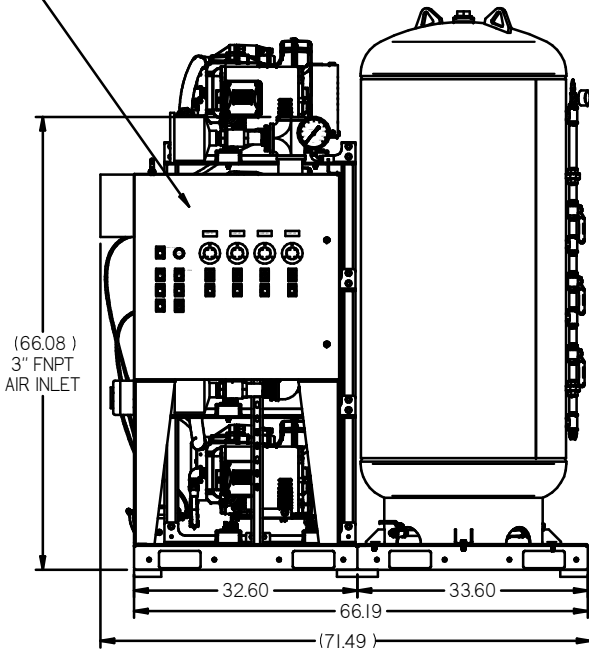
200 GALLON ASME AIR RECEIVER INTERNALLY LINED

SEE 3D MODEL ID# 721887 FOR PLUMBING DETAIL

DEW POINT MONITOR

CO MONITOR

BASIC CONTROL PANEL PSM413 SERIES



3X 7.5HP OILLESS SCROLL AIR ENDS

ISOLATION PADS 6" X 6" X 1" (QTY.2)

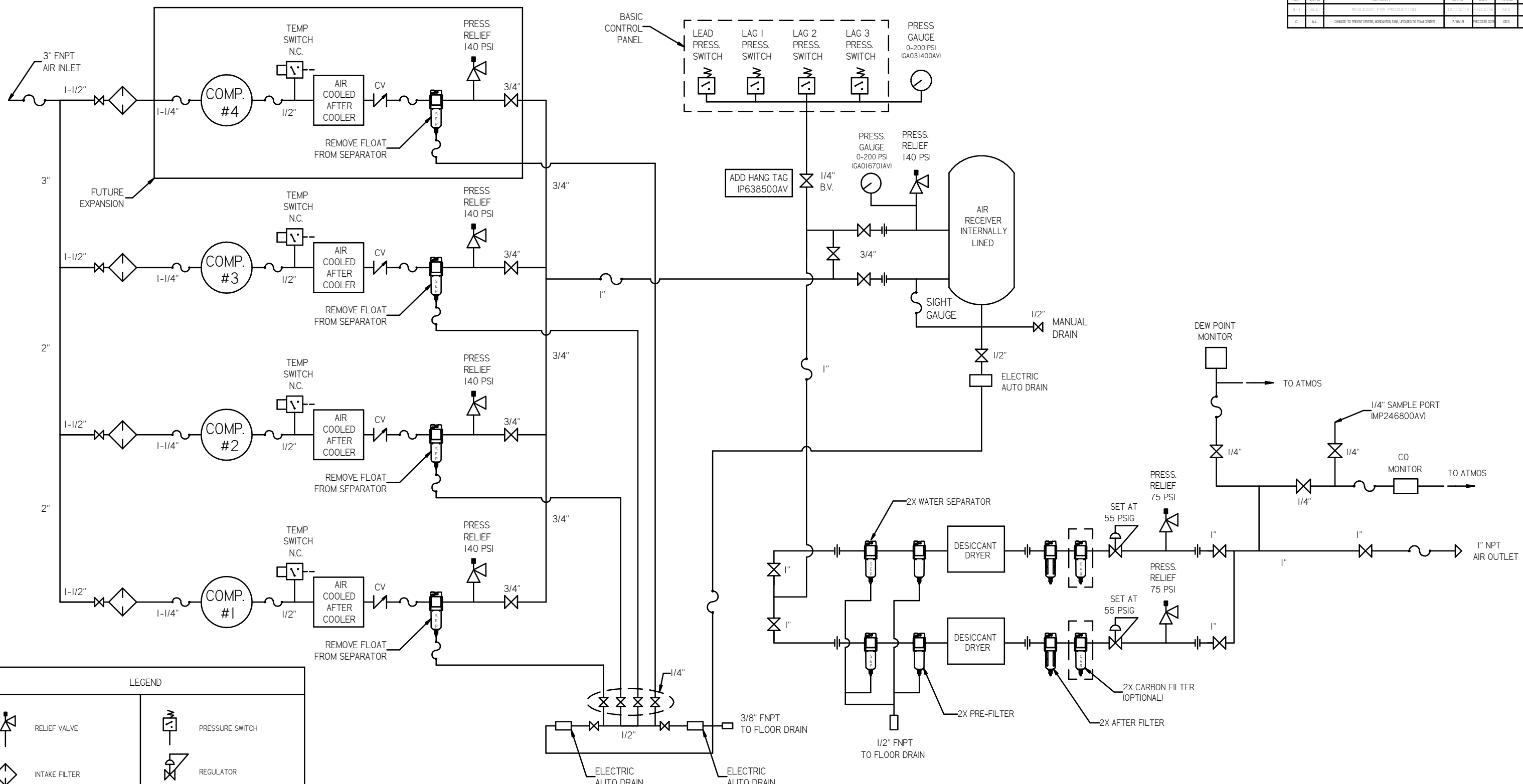
ISOLATION PADS 4" X 4" X 1" (QTY.4)

NOTES:
1) RECOMMENDED 24" CLEARANCE AROUND SYSTEM
2) INSTALL ELECTRICAL CONTROL PANEL WITH CLEARANCE PER OSHA/NEC RECOMMENDATIONS

NOTE: SYSTEM DESIGNED IN COMPLIANCE WITH US NFPA'99, LATEST EDITION.

SYMBOL LEGEND ⊖ = MINUS DRAFT ⊕ = PLUS DRAFT H = ADDITIONAL CONTROL REQ'D HB = BRINELL HARDNESS	Drawings to conform to the current revision of the following ANSI standards: Y14.3 Multi and sectional view dgs. Y14.9 Dimensioning and tolerancing
TOLERANCES NOT SPECIFIED XX ± XY ± Z (REF.) ±	AUTOCAD REL2014 LT INCH
DO NOT SCALE DRAWING FOR DIMENSIONS Sheet 1 of 2 SCALE 1:14	
CONFIDENTIAL DISCLOSURE This drawing is the property of POWEREX, INC. or THE SCOTT FETTER COMPANY and subject to return on demand. Its contents are confidential and must not be copied or submitted to outside parties for use or examination.	
MATERIAL N/A	DRAWN BY: AEK CHECKED BY: GES APPROVED BY: KMD, FR 10/13/16, 10/13/16, 10/13/16, 10/13/16
PART NAME 7.5HP DL SCROLL TRIPLEX EXPANDABLE	POWEREX 200GAL DUPLEX DESICCANT
DWG NO MST0755-EX4	SIZE D

REV	ZONE	REVISION	DATE	EN	NAME	CHKD
B-1	ALL	RELEASE FOR PRODUCTION	10/13/16	RES	RES	RES
C	ALL	CHANGED TO TREST DRYER, VORAPON TAIL, POINTED TO TAIL CENTER	7/16/19	RES	RES	RES



LEGEND

	RELIEF VALVE		PRESSURE SWITCH
	INTAKE FILTER		REGULATOR
	AIR FILTER		SEPARATOR
	CARBON FILTER		CHECK VALVE
	BALL VALVE		FLEX LINE
			HIGH TEMP SWITCH
			UNION

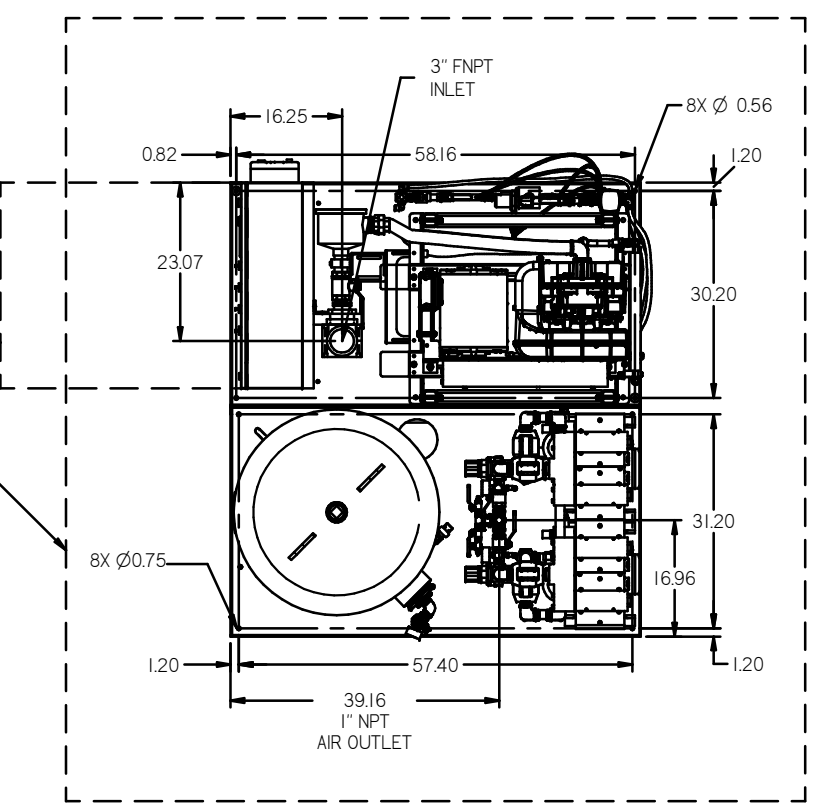
- NOTES:**
- 1) WITHOUT EXPANSION: IF LAG 2 COMPRESSOR IS ENERGIZED, ALARM WILL OCCUR.
WITH EXPANSION: IF LAG 3 COMPRESSOR IS ENERGIZED, ALARM WILL OCCUR.
 - 2) PIPING TO THE INLET BY OTHERS AND TO BE PER NFPA99 4-3.1.1.9(b)
 - 3) INSTRUMENTS DOWN STREAM OF SOURCE VALVE TO BE SUPPLIED BY OTHERS.

○ = MINUS DRAFT ⊕ = PLUS DRAFT ◊ = ADDITIONAL CONTROL ◻ = BRINELL HARDNESS	Drawing to conform to the current revision of the following ANSI standards: 114.3 Multi and sectional view exp. 114.9B Dimensional tolerances and tolerancing
DIMENSIONS NOT SPECIFIED XX ± Z (DEG.) ±	AUTOCAD REL2014.LT INCH Sheet 2 of 2 SCALE 1:14
CONFIDENTIAL DISCLOSURE This drawing is the property of POWEREX, Inc. or the SCOTT FETZER COMPANY and subject to return on demand. Its contents are confidential and must not be copied or used in any way for outside parties for use or examination.	DRAWN BY: AEK CHECKED BY: GES, KMB, FR 10/13/16, 10/13/16, 10/13/16, 10/13/16
MATERIAL: N/A PART NAME: SCROLL, TRIPLEX EXPANDABLE PACKAGE FLOW SCHEMATIC	 100 Middle Road, Suite 100, Newark, NJ 07102 Ph: 908-769-2279 Fax: 908-769-2125 ENG NO: MST0755-EX4 SIZE: D

REV	ZONE	REVISION	DATE	ECN	NAME	CHKD
B-1	ALL	RELEASE TO PRODUCTION	10/13/16		AEK	GES
C	ALL	CHANGED TO TRIPLEX DESICCANT FROM UPDATED TO TRIPLEX	7/16/19		RESERVED	GES

MINIMUM RECOMMENDED ELECTRICAL PANEL CLEARANCE PER OSHA/NEC REQUIREMENTS

24" MINIMUM RECOMMENDED MAINTENANCE CLEARANCE



2X DESICCANT DRYERS W/ PRE FILTERS & AFTER FILTERS. CARBON FILTERS ARE OPTIONAL.

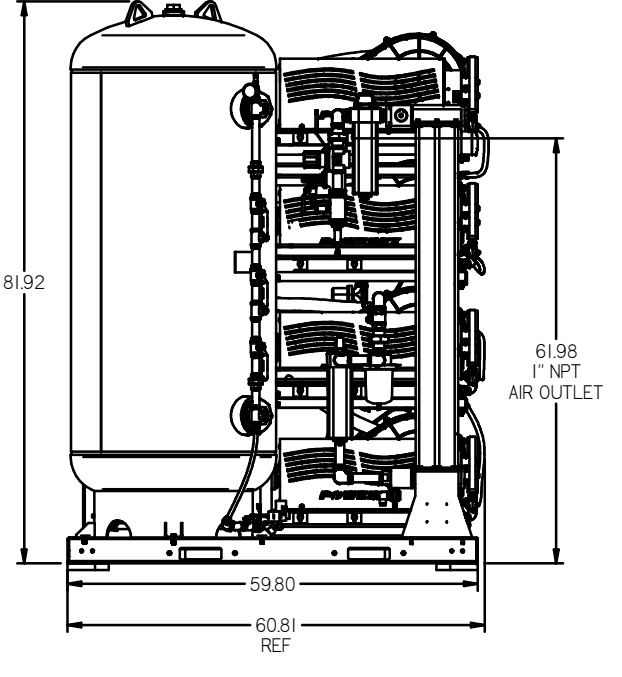
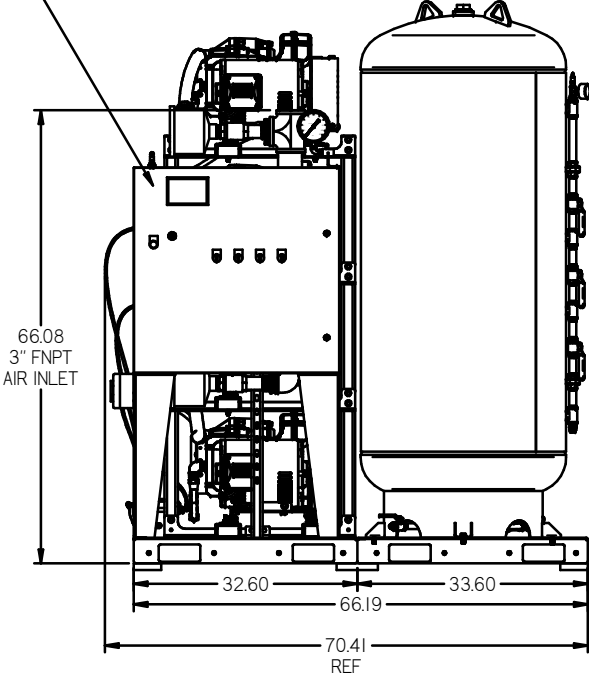
SEE 3D MODEL ID# 721365 FOR PLUMBING DETAIL

FUTURE EXPANSION BASEMOUNT

200 GALLON ASME AIR RECEIVER INTERNALLY LINED

SEE 3D MODEL ID# 721887 FOR PLUMBING DETAIL

PREMIUM CONTROL PANEL PBMA416 SERIES



3X 7.5HP OILLESS SCROLL AIR ENDS

CO MONITOR

ISOLATION PADS 4" X 4" X 1" (QTY.4)

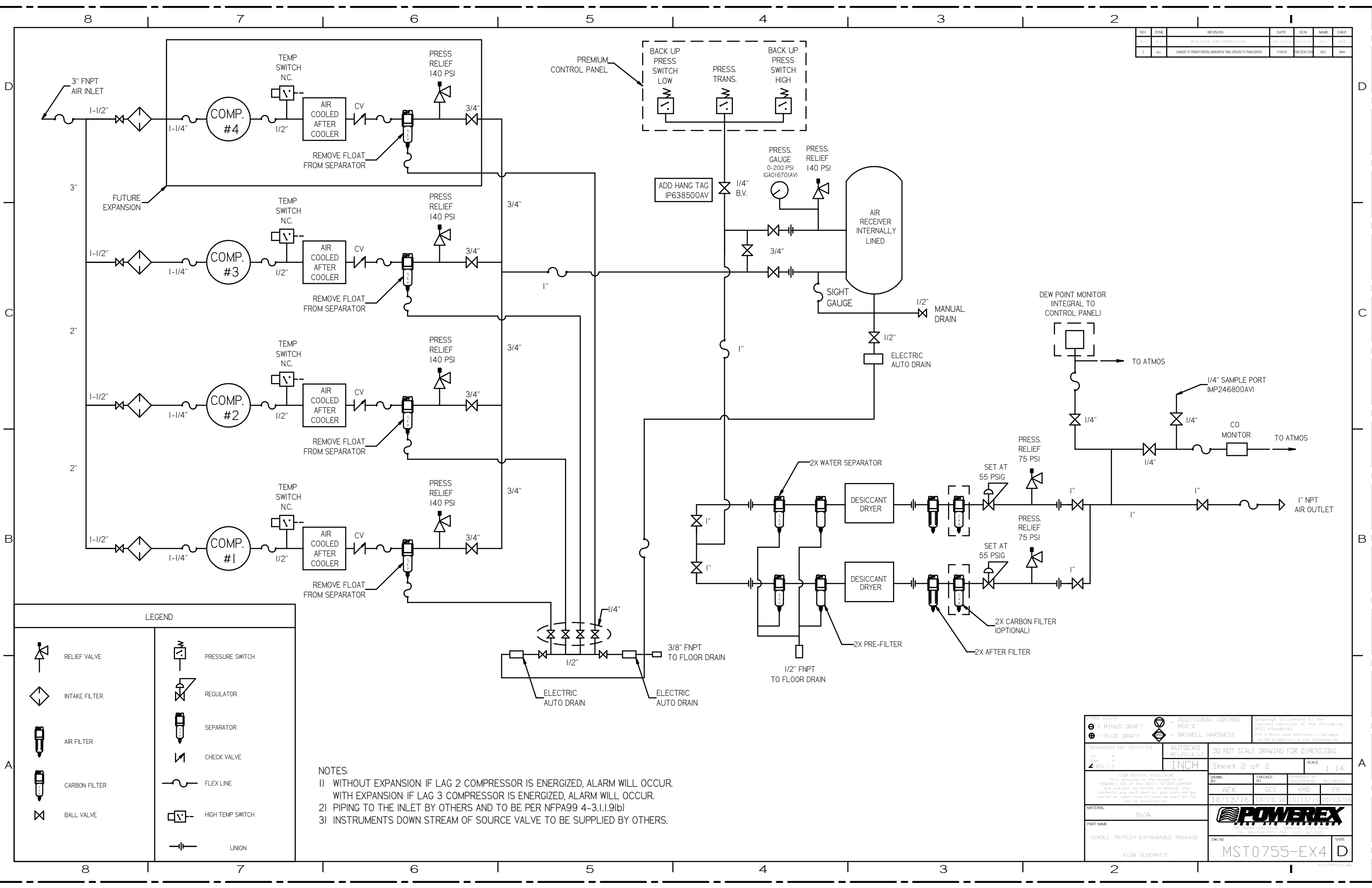
ISOLATION PADS 6" X 6" X 1" (QTY.2)

NOTES:
1) RECOMMENDED 24" CLEARANCE AROUND SYSTEM
2) INSTALL ELECTRICAL CONTROL PANEL WITH CLEARANCE PER OSHA/NEC RECOMMENDATIONS

NOTE: SYSTEM DESIGNED IN COMPLIANCE WITH US NFPA'99, LATEST EDITION.

MINUS DRAFT PLUS DRAFT ADDITIONAL CONTROL REQ'D BRINELL HARDNESS	AUTOCAD REL2014 LT INCH DO NOT SCALE DRAWING FOR DIMENSIONS Sheet 1 of 2 SCALE 1:14	Drawings to conform to the current revision of the following ANSI standards: 11.3 Multi and sectional view 11.2 Dimensioning and tolerancing
TOLERANCES NOT SPECIFIED XX ± XXX ± 4 DEC ±	CONFIDENTIAL DISCLOSURE This drawing is the property of POWEREX, INC. of the SCOTT FETTER COMPANY and subject to return on demand. Its contents are confidential and must not be copied or submitted to outside parties for use or reproduction.	DRAWN BY: AEK CHECKED BY: GES APPROVED BY: KMD, FR 10/13/16 10/13/16 10/13/16 10/13/16
MATERIAL: N/A PART NAME: 7.5HP DL SCROLL TRIPLEX EXPANDABLE 200GAL DUPLEX DESICCANT		DWG NO: MST0755-EX4 SIZE: D

REV	ZONE	REVISION	DATE	ECN	NAME	CHKD
1	ALL	RELEASED FOR PRODUCTION	10/13/16		AEK	GES
2	ALL	CHANGED TO TIGHTEN ORDER, MARGATOR TANK, UPDATED TO TEAM CENTER	7/16/19		RECORDER	GES



LEGEND	
	RELIEF VALVE
	INTAKE FILTER
	AIR FILTER
	CARBON FILTER
	BALL VALVE
	PRESSURE SWITCH
	REGULATOR
	SEPARATOR
	CHECK VALVE
	FLEX LINE
	HIGH TEMP SWITCH
	UNION

- NOTES:
- 1) WITHOUT EXPANSION: IF LAG 2 COMPRESSOR IS ENERGIZED, ALARM WILL OCCUR.
WITH EXPANSION: IF LAG 3 COMPRESSOR IS ENERGIZED, ALARM WILL OCCUR.
 - 2) PIPING TO THE INLET BY OTHERS AND TO BE PER NFPA99 4-3.1.1.9(b)
 - 3) INSTRUMENTS DOWN STREAM OF SOURCE VALVE TO BE SUPPLIED BY OTHERS.

TOLERANCES NOT SPECIFIED: XX ± .01 X ± .005 Z (SEG.) ± .002		AUTOCAD REL2014.LT INCH	DO NOT SCALE DRAWING FOR DIMENSIONS Sheet 2 of 2 SCALE 1:14
CONFIDENTIAL DISCLOSURE: This drawing is the property of POWEREX, INC. of the SCOTT FETZER COMPANY and subject to return or demand. Its contents are confidential and must not be copied or submitted to outside parties for use or examination.		DRAWN BY AEK	CHECKED BY GES
MATERIAL N/A		APPROVED BY KMD	DATE 10/13/16
PART NAME SCROLL TRIPLEX EXPANDABLE PACKAGE		APPROVED BY FR	DATE 10/13/16
DWG NO MST0755-EX4		 155 PRODUCTION DRIVE, HARRISBURG, OHIO 45030 TEL: 502-769-2276 FAX: 513-363-3325	