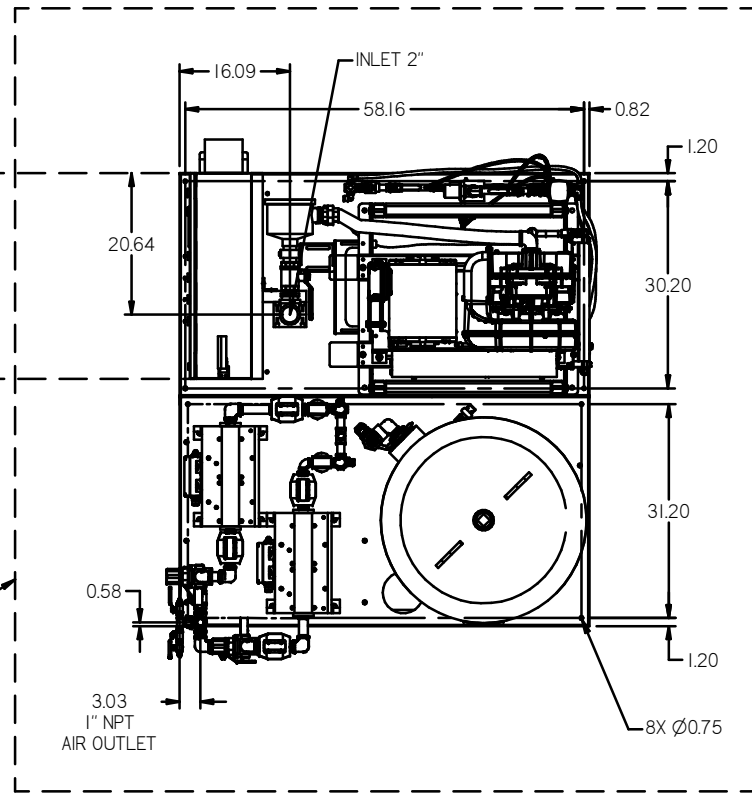
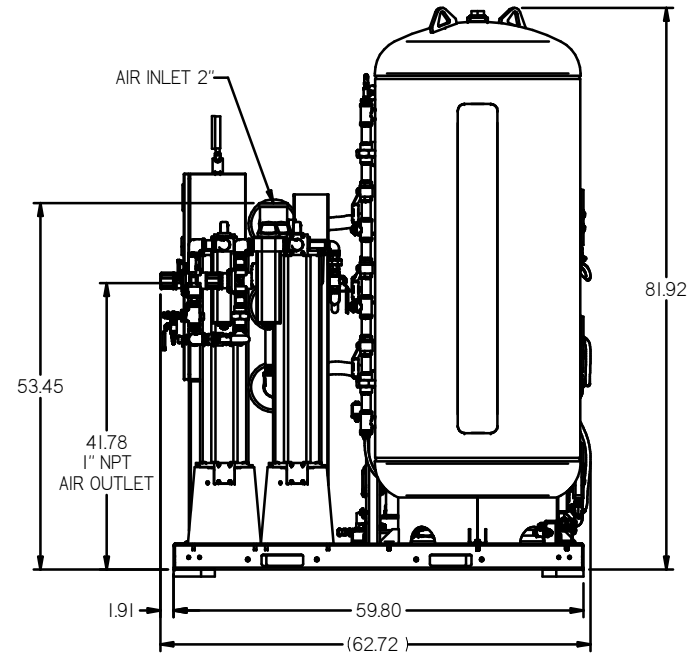
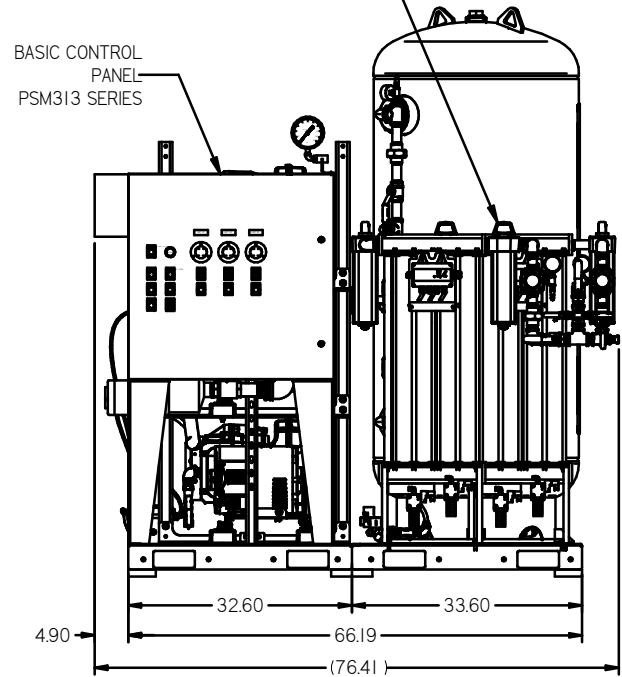


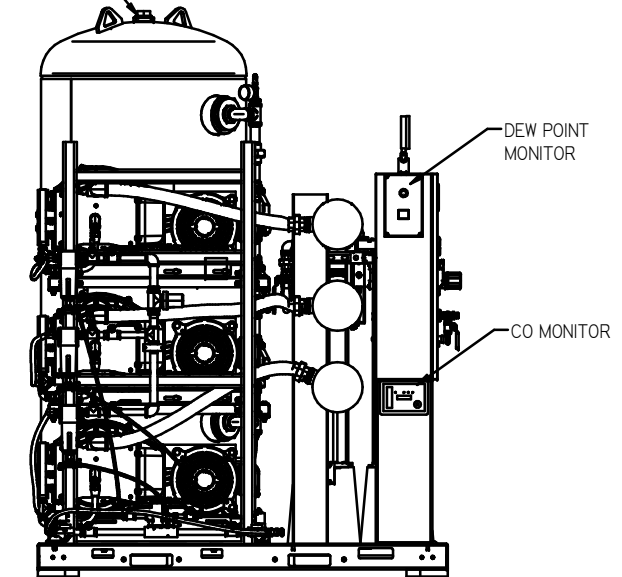
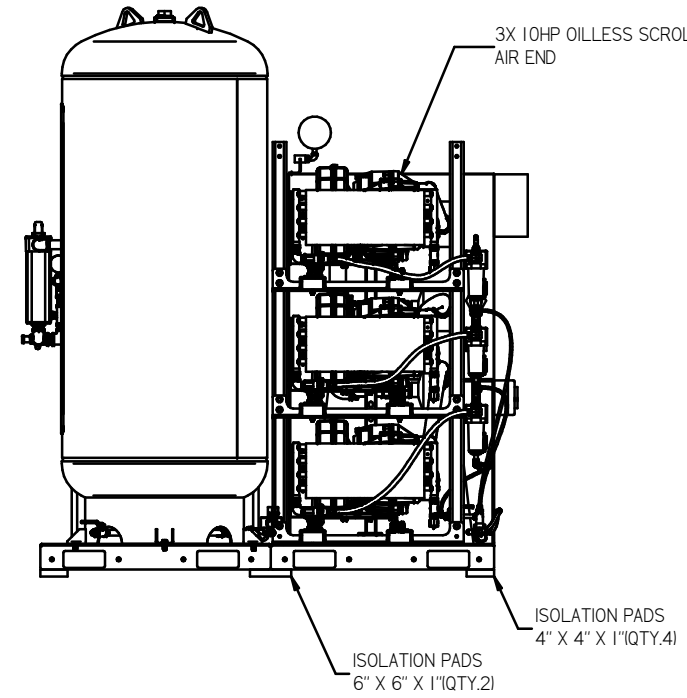
REV	ZONE	REVISION	DATE	ECN	NAME	CHKD
B-1	ALL	RELEASE TO PRODUCTION	2/23/15	0001	JBE	JBE
C-1	2 IN-CH	CORRECTED PUMP SRY LOCATION	8/10/15	PRECC093	AEK	GES
D-1	2 ALL 2 ALL 1 ALL 1 ALL	CORRECTED SEPARATOR DRAIN LINES TO IAF ADDED NOTE TO REMOVE SEPARATOR FLOAT ADDED OUTLINE FOR RECOMMENDED CLEARANCES UPDATED INLET TREE	01/05/16	PRECC167	MJD	GES
E	ALL	CHANGED TO TROBT DRYERS, MORGANTON TANK, UPDATED TO TEAM CENTER	8/8/19	PRECC308	GES	MMH



2X DESICCANT DRYERS  
W/ PRE-FILTERS & AFTER-FILTERS.  
CARBON FILTERS ARE OPTIONAL.  
SEE 3D MODEL ID# 721928  
FOR PLUMBING DETAIL



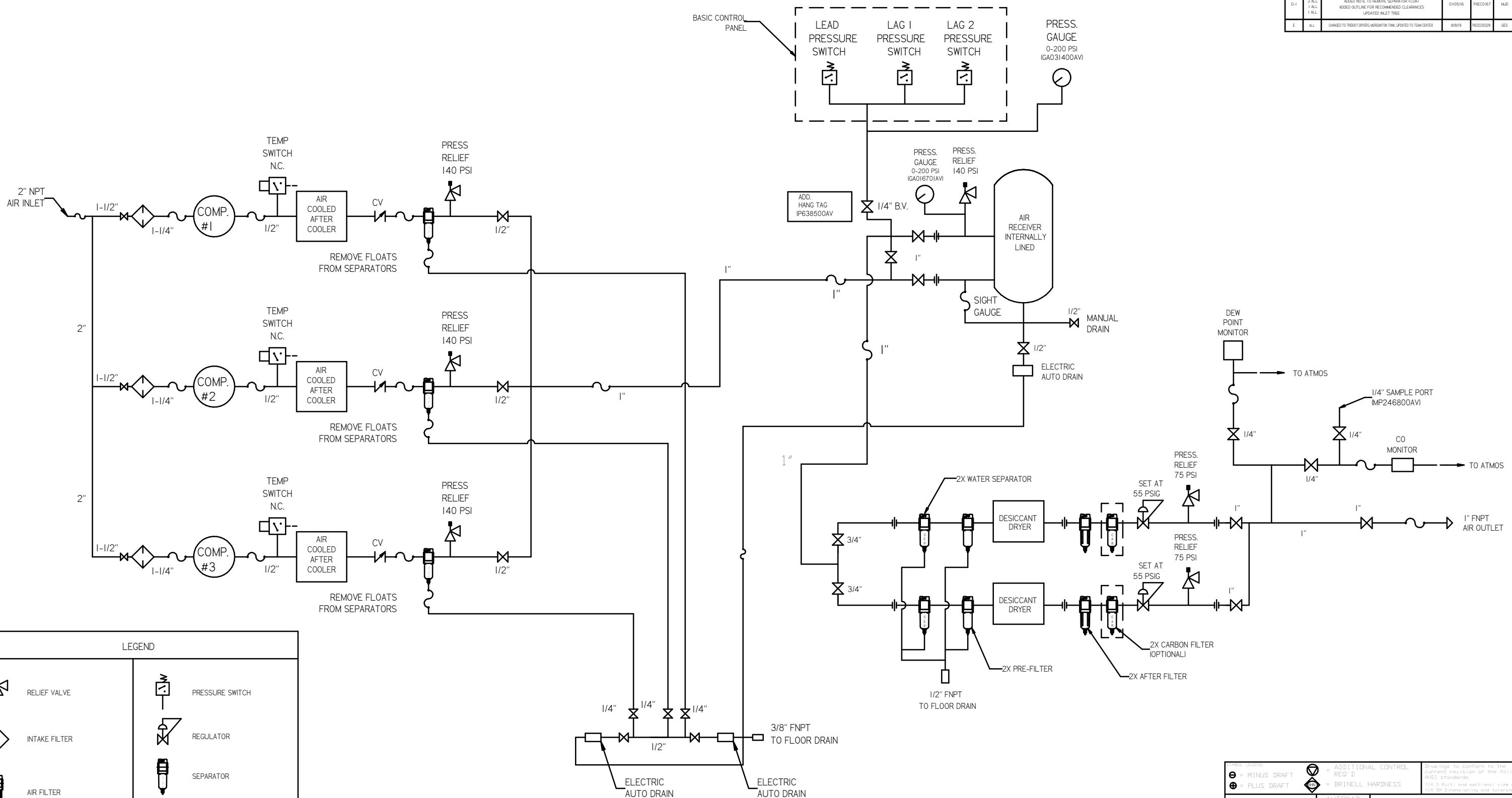
200GAL ASME RECEIVER  
INTERNALLY LINED  
SEE 3D MODEL ID# 721057  
FOR PLUMBING DETAIL



NOTE: SYSTEM DESIGNED IN  
COMPLIANCE WITH US NFPA'99,  
LATEST EDITION.

<b>SYMBOL LEGEND</b> ⊖ = MINUS DRAFT ⊕ = PLUS DRAFT ⊕ = ADDITIONAL CONTROL REQ'D ⊕ = BRINELL HARDNESS		Drawings to conform to the current revision of the following ANSI standards: Y14.3 Multi and sectional view dsgs. Y14.9 Dimensioning and tolerancing
TOLERANCES NOT SPECIFIED: XX ± YYY ± Z (DEG) ±	AUTOCAD REL20001 <b>INCH</b>	DO NOT SCALE DRAWING FOR DIMENSIONS Sheet 1 of 2 SCALE 1:14
CONFIDENTIAL DISCLOSURE This drawing is the property of POWEREX, INC. of the SCOTT FITZGER COMPANY and subject to return on demand. Its contents are confidential and must not be copied or submitted to outside parties for use or examination.		
MATERIAL N/A	DRAWN BY JBE	CHECKED BY AEK
PART NAME MED TRIPLEX SCROLL 10HP 200GAL BASEMOUNT DUPLEX DESICCANT	APPROVED BY JA	DATE 2/23/15
PART NO MST10B5	DATE 2/23/15	DATE 2/23/15
		SIZE D

REV	ZONE	REVISION	DATE	BY	CHKD
1	ALL	RELEASE TO PRODUCT DEV	05/15/15	REC0013	REC0013
C-1	2, 6, 4	CORRECTED PUMP SRV LOCATION	8/10/15	REC0003	AEK
D-1	2, 4, 1, 1, 1	CORRECTED SEPARATOR DOWN LINES TO 1/4" ADDED NOTE TO REMOVE SEPARATOR FLOAT UPDATED INLET TREE	01/05/16	REC0017	MD
E	ALL	OWNED TO TRENK DRIVERS WAGGON TANK, UPD TO TANK CENTER	8/18/19	REC0028	GES



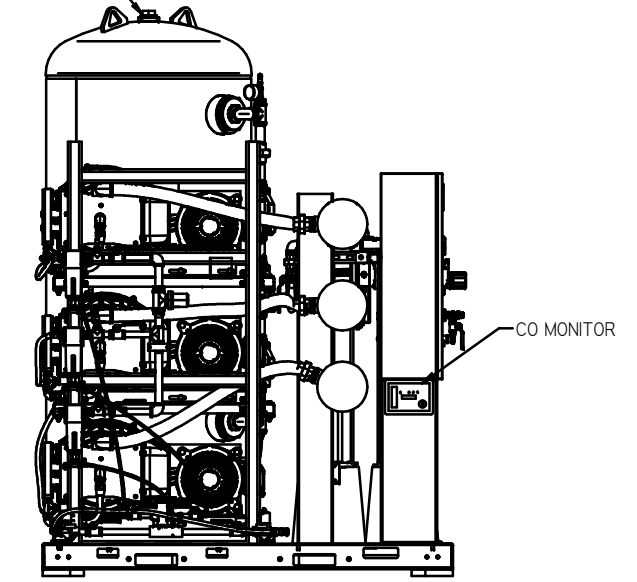
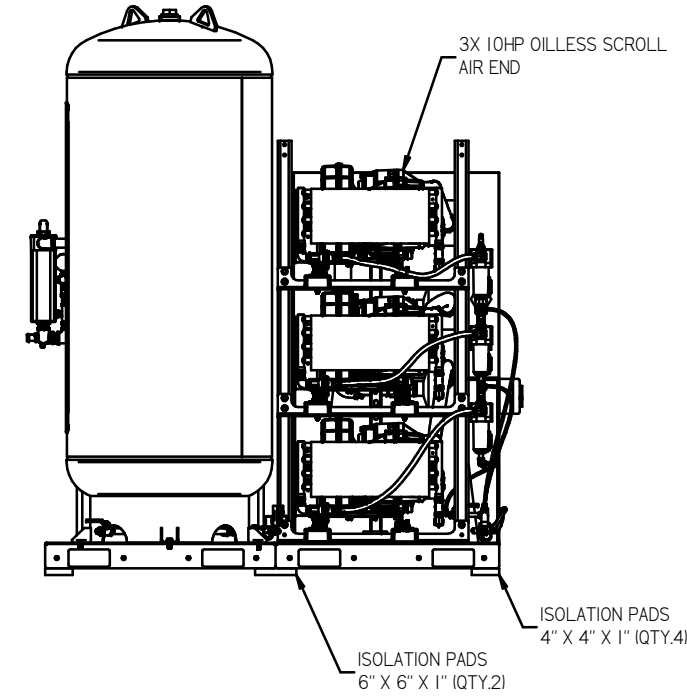
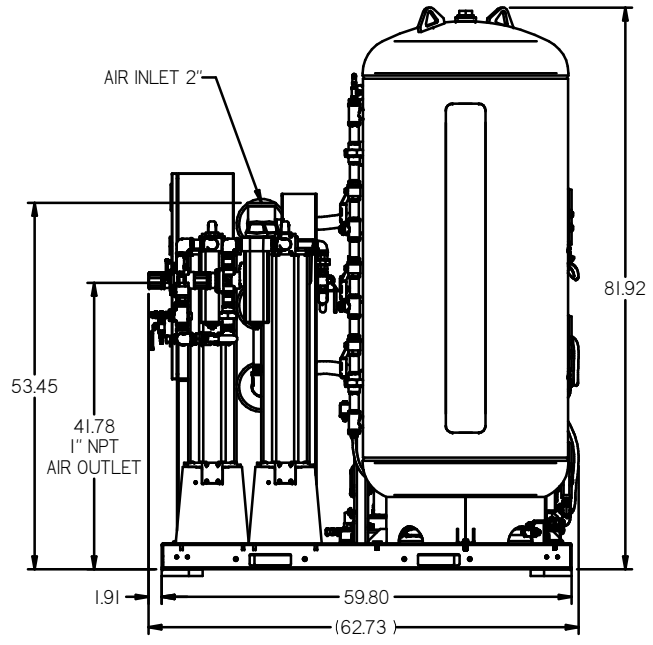
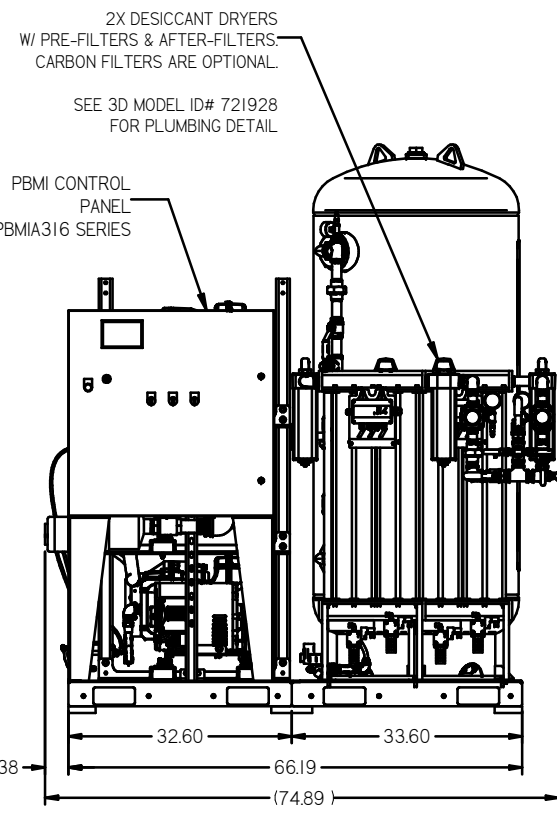
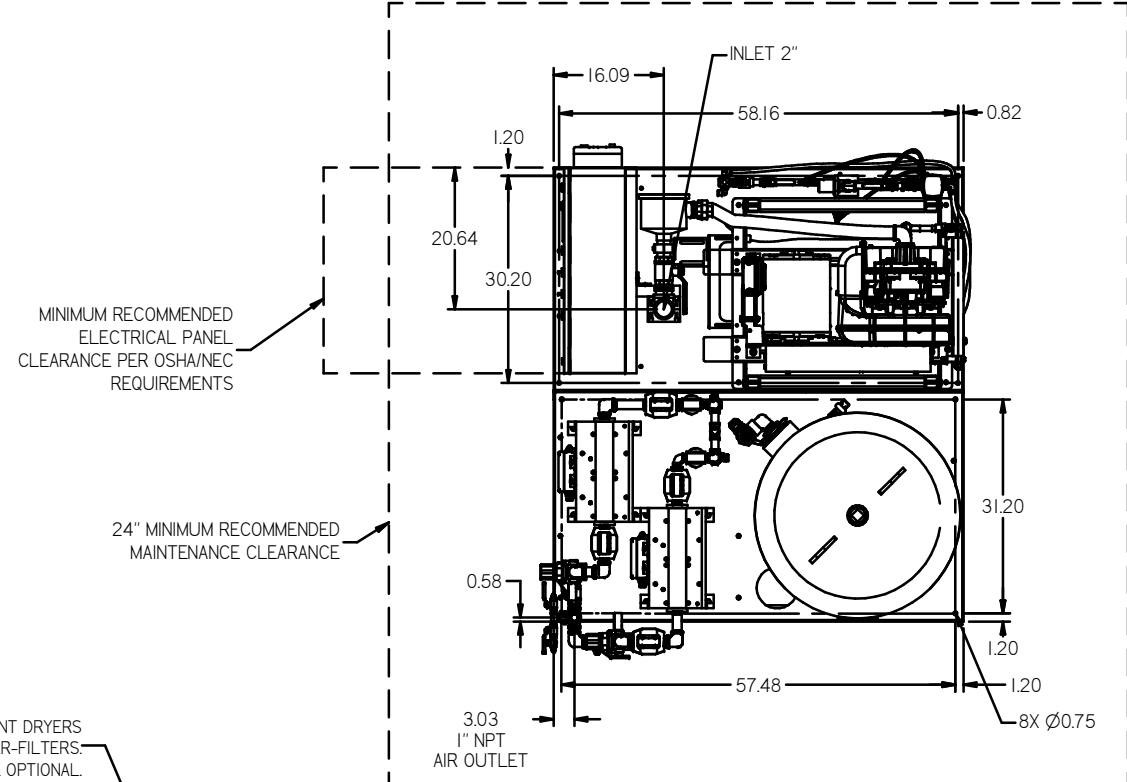
LEGEND

	RELIEF VALVE		PRESSURE SWITCH
	INTAKE FILTER		REGULATOR
	AIR FILTER		SEPARATOR
	3 WAY VALVE		CHECK VALVE
	CARBON FILTER		FLEX LINE
	BALL VALVE		HIGH TEMP SWITCH
			UNION

NOTES:  
 1) IF LAG 2 COMPRESSOR IS ENERGIZED ALARM WILL OCCUR.  
 2) PIPING TO THE INLET BY OTHERS AND TO BE PER NFPA99 4-3.1.1.9(b)  
 3) INSTRUMENTS DOWN STREAM OF SOURCE VALVE TO BE SUPPLIED BY OTHERS.

TOLERANCES NOT SPECIFIED XX ± XXX ± (SEE 3) ±	AUTOCAD REL2000 INCH	DO NOT SCALE DRAWING FOR DIMENSIONS Sheet 2 of 2 SCALE 1:14
CONFIDENTIAL DISCLOSURE This drawing is the property of POWEREX, INC. or the SCOTT FELTZER COMPANY and subject to return on demand. Its contents are confidential and must not be copied or submitted to outside parties for use or reproduction.		DRAWN BY: JBE CHECKED BY: AEK APPROVED BY: JA DATE: 2/23/15
PART NAME: MED 10HP SCROLL TRIPLEX FLOW SCHEMATIC		DRAWING NO: MST10B5 SIZE: D

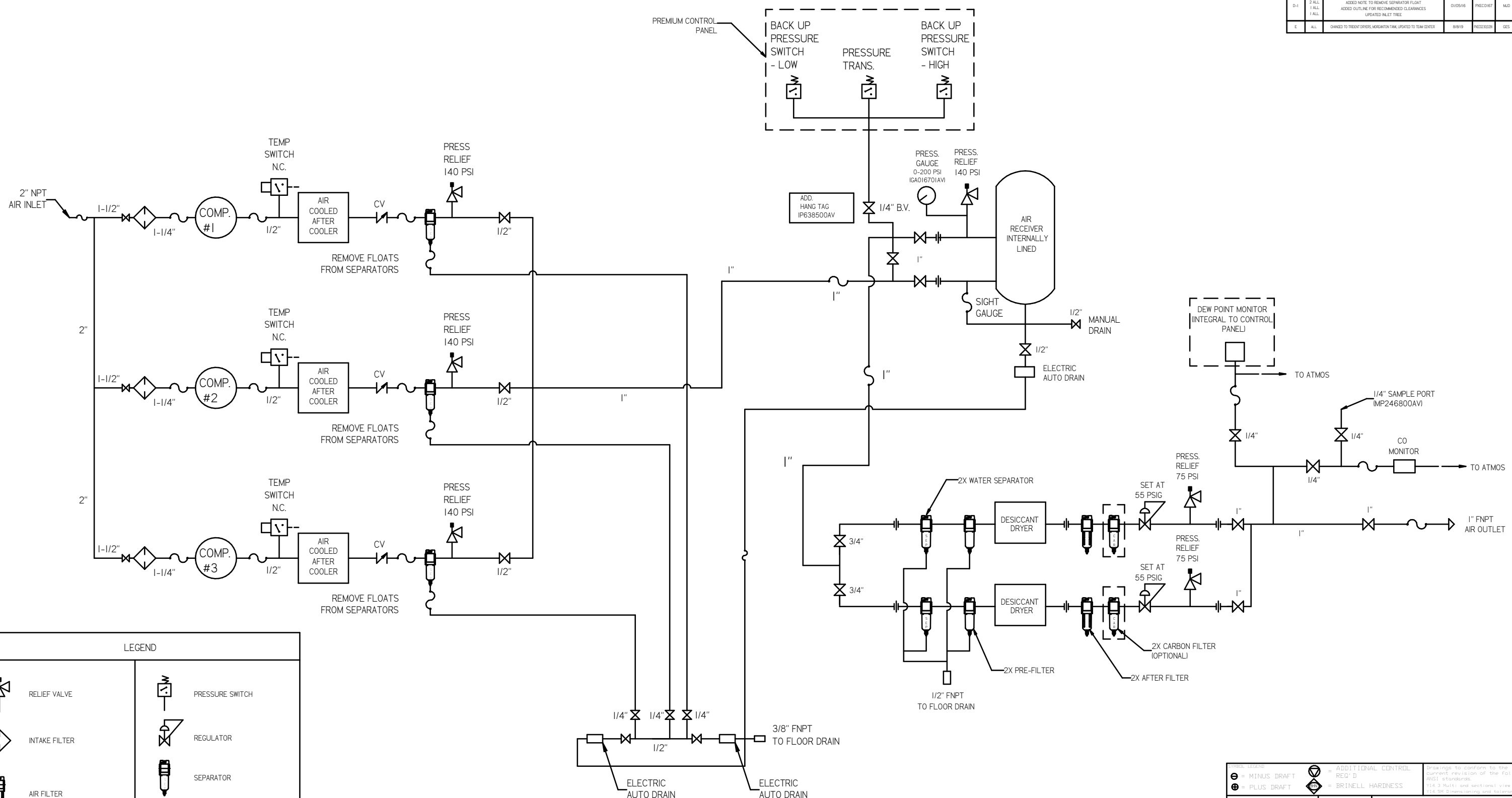
REV	ZONE	REVISION	DATE	ECN	NAME	CHRD
B-1	ALL	RELEASE TO PRODUCT IEN	2/23/15	PRE0007	JBE	AEK
C-1	2 M-05	CORRECTED PUMP SWY LOCATION	8/10/15	PRE0093	AK	GES
D-1	2 ALL 2 ALL 1 ALL 1 ALL	CORRECTED SEPARATOR DRAIN LINES TO 1/4" ADDED NOTE TO REMOVE SEPARATOR FLOAT ADDED OUTLINE FOR RECOMMENDED CLEARANCES UPDATED INLET TREE	01/05/16	PRE0167	MJD	GES
E	ALL	CHANGED TO TREAT ORDER MORGANTON TANK, UPDATED TO TEAM CENTER	8/19/19	PRE03028	GES	MMH



NOTE: SYSTEM DESIGNED IN COMPLIANCE WITH US NFPA'99, LATEST EDITION.

MINUS DRAFT PLUS DRAFT ADDITIONAL CONTROL REQ'D BRINELL HARDNESS	TOLERANCES NOT SPECIFIED XX ± XXX ± 4 DEC ±	AUTOCAD REL2000 I INCH	DO NOT SCALE DRAWING FOR DIMENSIONS Sheet 1 of 2 SCALE 1:14
CONFIDENTIAL DISCLOSURE This drawing is the property of POWEREX, INC. of the SCOTT FETZER COMPANY and subject to return on demand. Its contents are confidential and must not be copied or submitted to outside parties for use or reproduction.		DRAWN BY: JBE CHECKED BY: AEK APPROVED BY: JA, NA 2/23/15, 2/23/15, 2/23/15, 2/23/15	
MATERIAL: N/A		<b>POWEREX</b> MED TRIPLEX SCROLL 10HP 200GAL BASEMOUNT DUPLEX DESICCANT DWG NO: MST10B5 SIZE: D	

REV	ZONE	REVISION	DATE	ECN	NAME	CHRD
B-1	ALL	RELEASE TO PRODUCT IEN	2/23/15	PRE0000	JBE	AEK
C-1	2, 3, 4, 5	CORRECTED PUMP SRY LOCATION	8/10/15	PRE0003	ADK	GES
D-1	2 ALL 2 ALL 1 ALL 1 ALL	CORRECTED SEPARATOR DRAIN LINES TO 1/4" ADDED NOTE TO REMOVE SEPARATOR FLOAT ADDED OUTLINE FOR RECOMMENDED CLEARANCES UPDATED INLET TREE	01/05/16	PRE00167	MJD	GES
E	ALL	CHANGED TO PREST ORDER, MORGANTON TRK, UPDATED TO TEAM CENTER	8/9/19	PRE002026	GES	MMH



**LEGEND**

	RELIEF VALVE		PRESSURE SWITCH
	INTAKE FILTER		REGULATOR
	AIR FILTER		SEPARATOR
	3 WAY VALVE		CHECK VALVE
	CARBON FILTER		FLEX LINE
	BALL VALVE		HIGH TEMP SWITCH
			UNION

**NOTES:**  
 1) IF LAG 2 COMPRESSOR IS ENERGIZED ALARM WILL OCCUR.  
 2) PIPING TO THE INLET BY OTHERS AND TO BE PER NFPA99 4-3.1.1.9(b)  
 3) INSTRUMENTS DOWN STREAM OF SOURCE VALVE TO BE SUPPLIED BY OTHERS.

TOLERANCES NOT SPECIFIED XX ± XXX ± 4 DEC 1 ±	AUTOCAD REL2000 I	DO NOT SCALE DRAWING FOR DIMENSIONS Sheet 2 of 2 SCALE 1:14
CONFIDENTIAL DISCLOSURE This drawing is the property of POWEREX, INC. of the SCOTT FETZER COMPANY and subject to return on demand. Its contents are confidential and must not be copied or submitted to outside parties for use or evaluation.		DRAWN BY: JBE CHECKED BY: AEK APPROVED BY: JA DATE: 2/23/15
MATERIAL: N/A PART NAME: MED 10HP SCROLL TRIPLEX FLOW SCHEMATIC		 DWG NO: MST10B5 SIZE: D