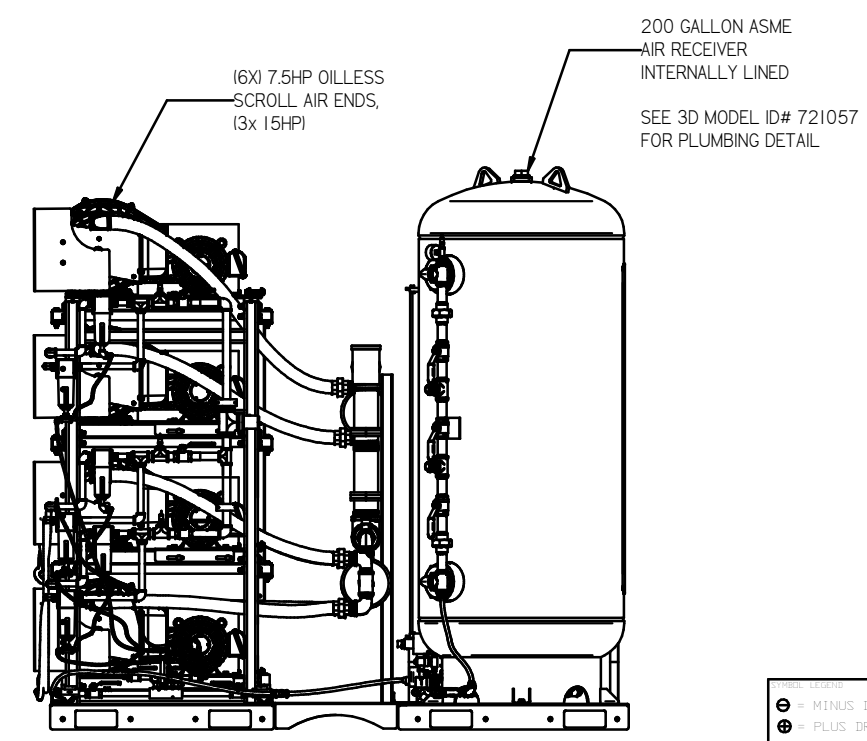
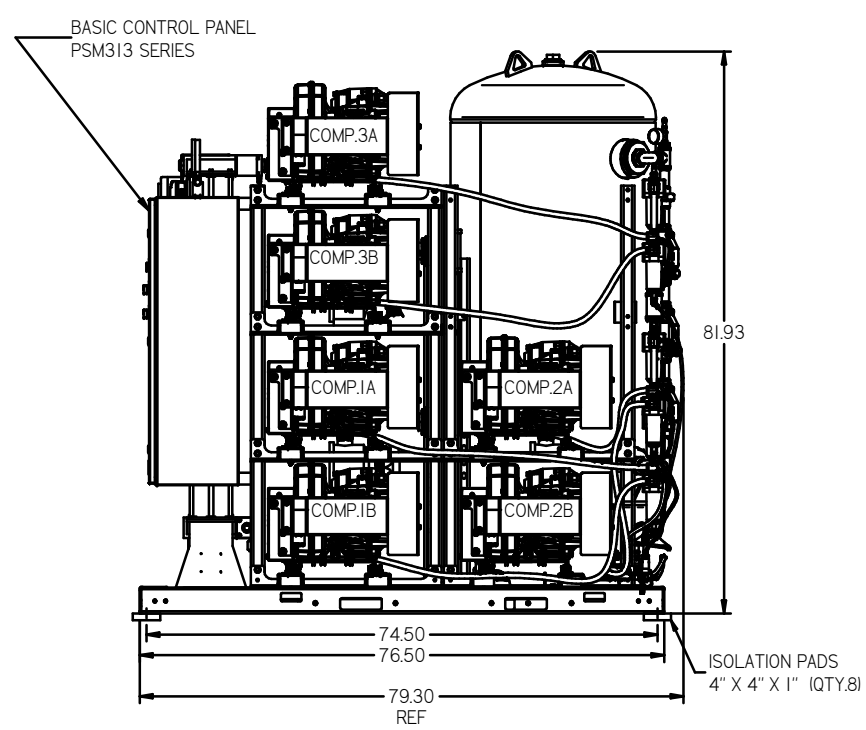
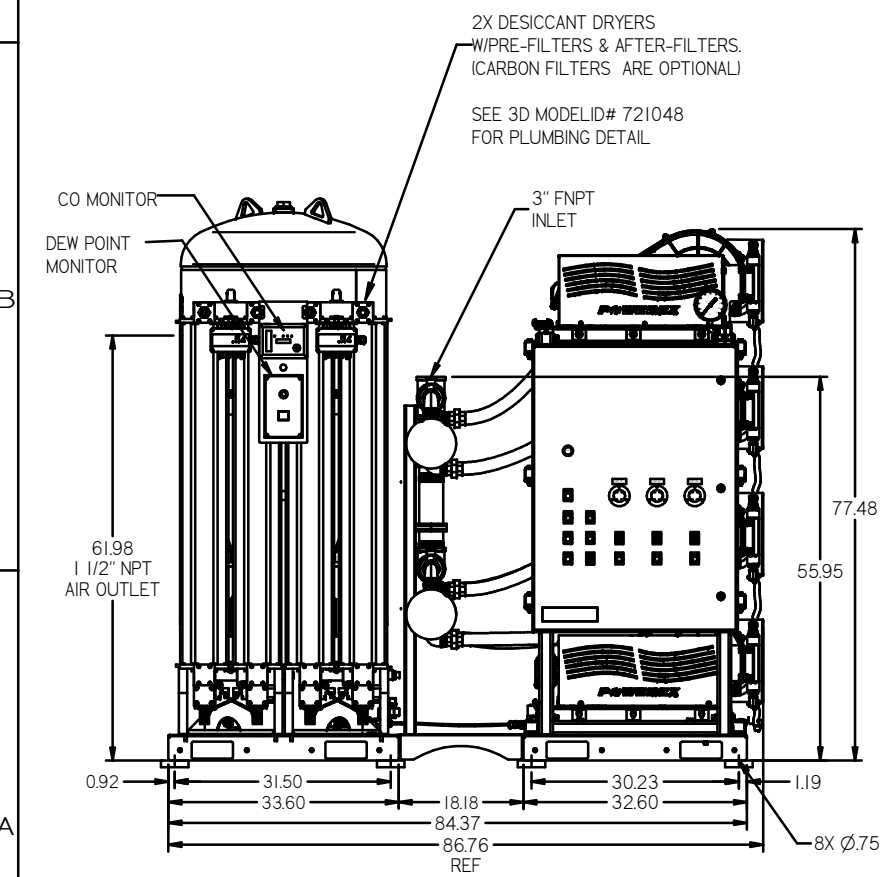
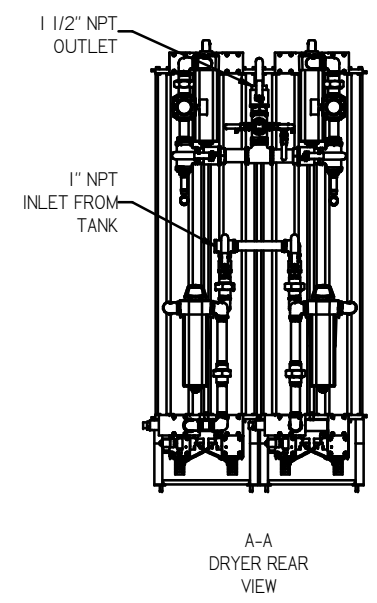
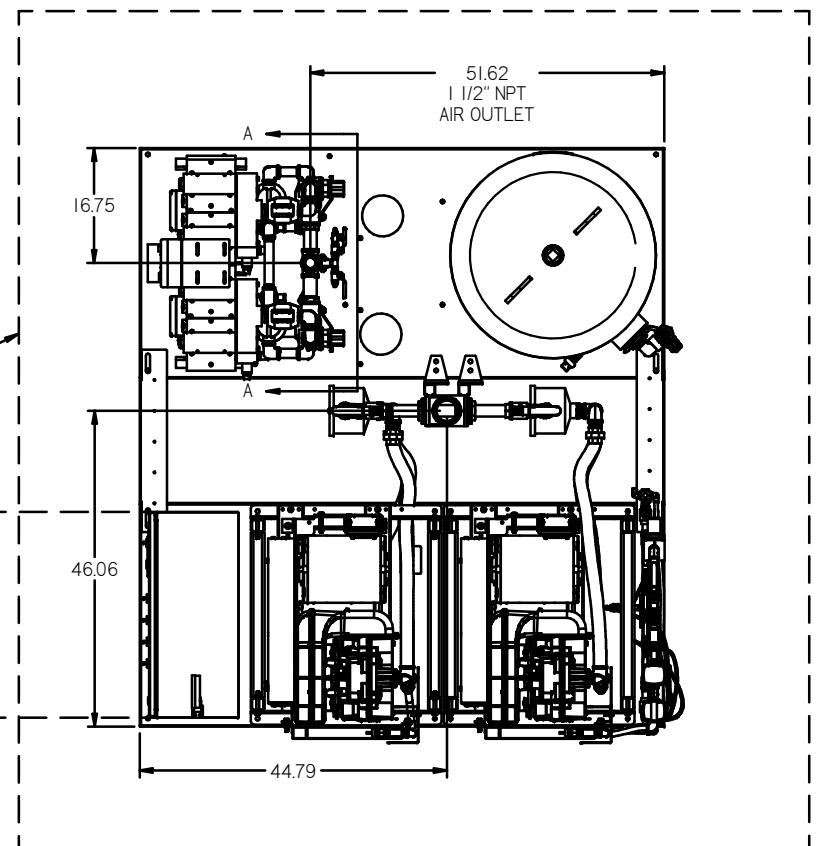


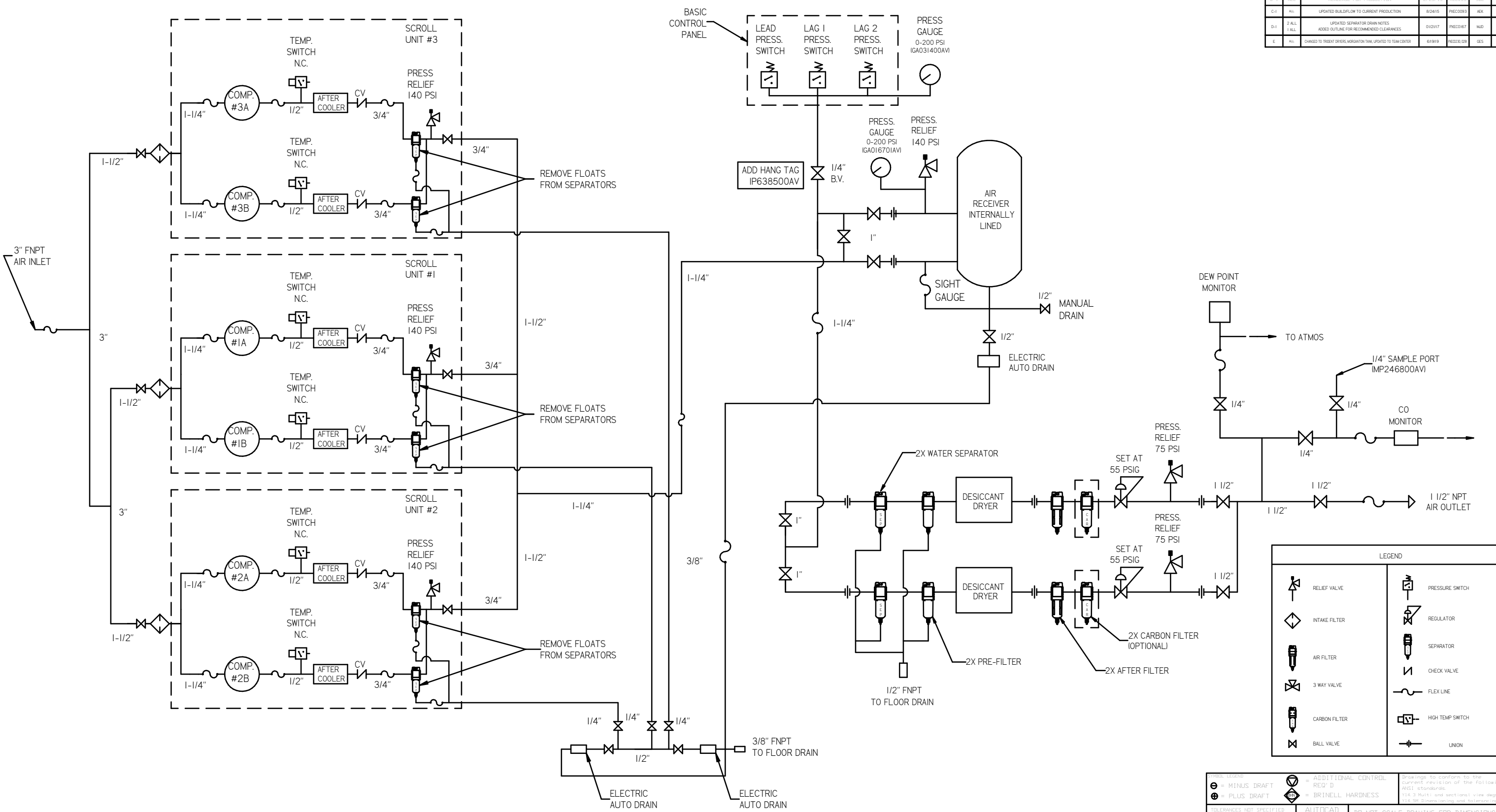
REV	ZONE	REVISION	DATE	EDN	NAME	CHKD
B-1	ALL	RELEASE TO PRODUCTION	2/23/15	PREC005	JBE	AEK
C-1	ALL	UPDATED BUILDUP TO CURRENT PRODUCTION	8/24/15	PREC003	AEK	GES
D-1	2 ALL	UPDATED SEPARATOR DRAIN NOTES ADDED OUTLINE FOR RECOMMENDED CLEARANCES	01/20/17	PREC007	MJD	GES
E	ALL	CHANGED TO TRIENT ORDER MORGANTON TANK, UPDATED TO TEAM CENTER	6/19/19	PREC028	GES	MMH



NOTE: SYSTEM DESIGNED IN
COMPLIANCE WITH US NFPA99,
LATEST EDITION.

MINUS DRAFT PLUS DRAFT TOLERANCES NOT SPECIFIED XX XXX Z	AUTOCAD REL2008 LT INCH	DO NOT SCALE DRAWING FOR DIMENSIONS Sheet 1 of 2 SCALE 1:14	Drawing to conform to the current revision of the following ANSI standards: Y14.3 Metric and sectional view sym- Y14.3M Dimensioning and tolerancing
CONFIDENTIAL DISCLOSURE This drawing is the property of POWEREX, Inc. or the SCOTT FETZER COMPANY and subject to return on demand. Its contents are confidential and must not be copied or submitted to outside parties for use or reproduction.		DRAWN BY JBE	CHECKED BY DMS
MATERIAL N/A		APPROVED BY JA	DATE 2/23/15
PART NAME 15HP 200 GAL MED BASIC TRI SCROLL			
DWG NO MST15B5		SIZE D	

REV	ZONE	REVISION	DATE	ECN	NAME	DWD
B-1	ALL	RELEASE FOR PRODUCTION	2/23/15	PREC015	JBE	AEK
C-1	ALL	UPDATED SUBFLOW TO CURRENT PRODUCTION	8/24/15	PREC093	AEK	GES
D-1	2 ALL	UPDATED SEPARATOR DRAIN NOTES	01/21/17	PREC067	MJD	GES
D-1	1 ALL	ADDED OUTLINE FOR RECOMMENDED CLEARANCES				
E	ALL	CHANGED TO TRENT DRIVERS MORGANTON TANK, UPDATED TO TEAM CENTER	6/8/19	PREC028	GES	MH

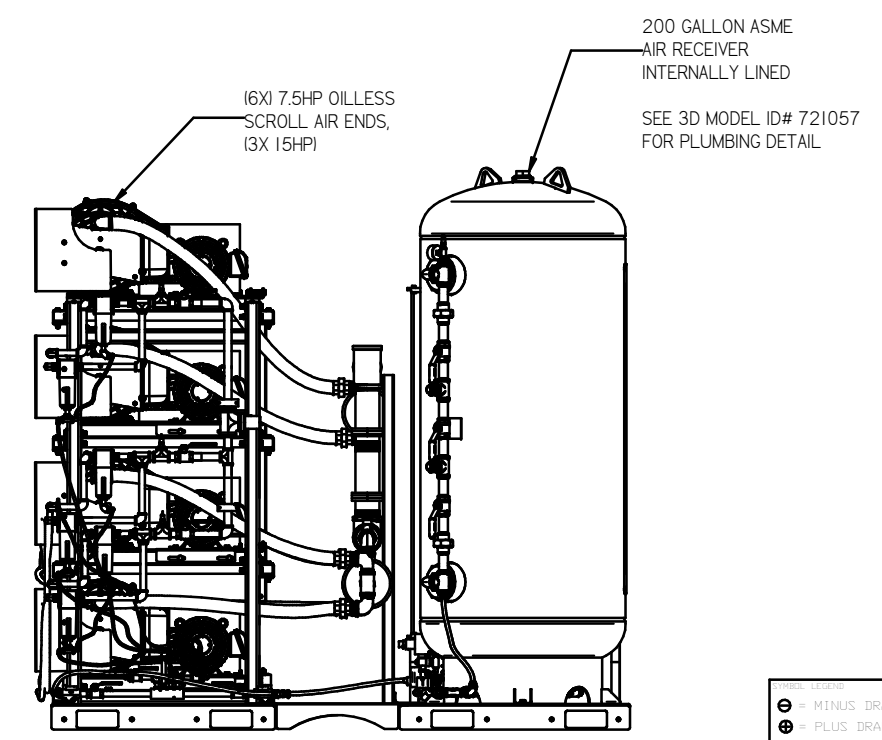
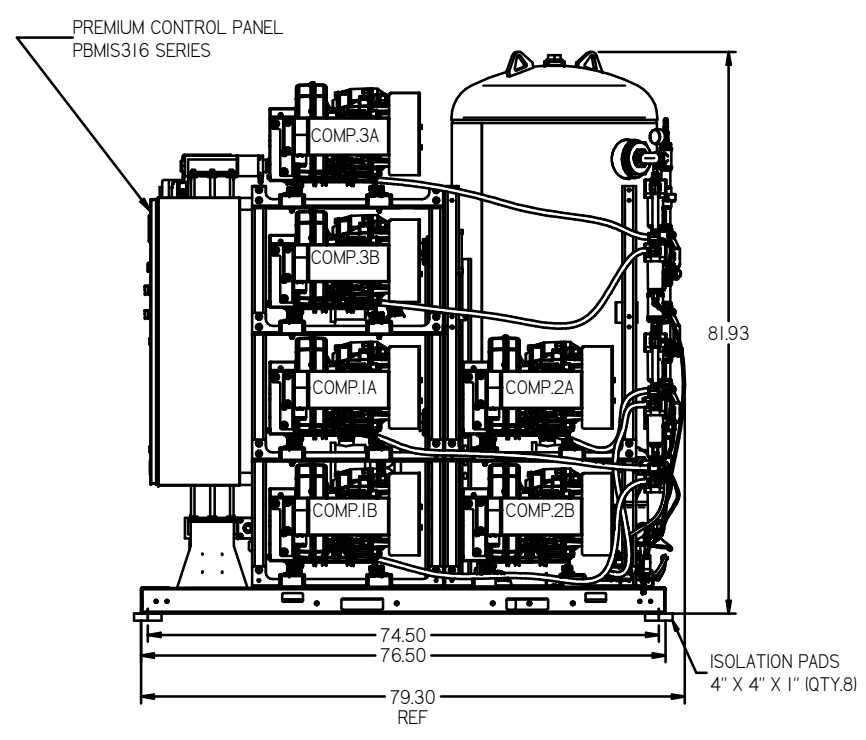
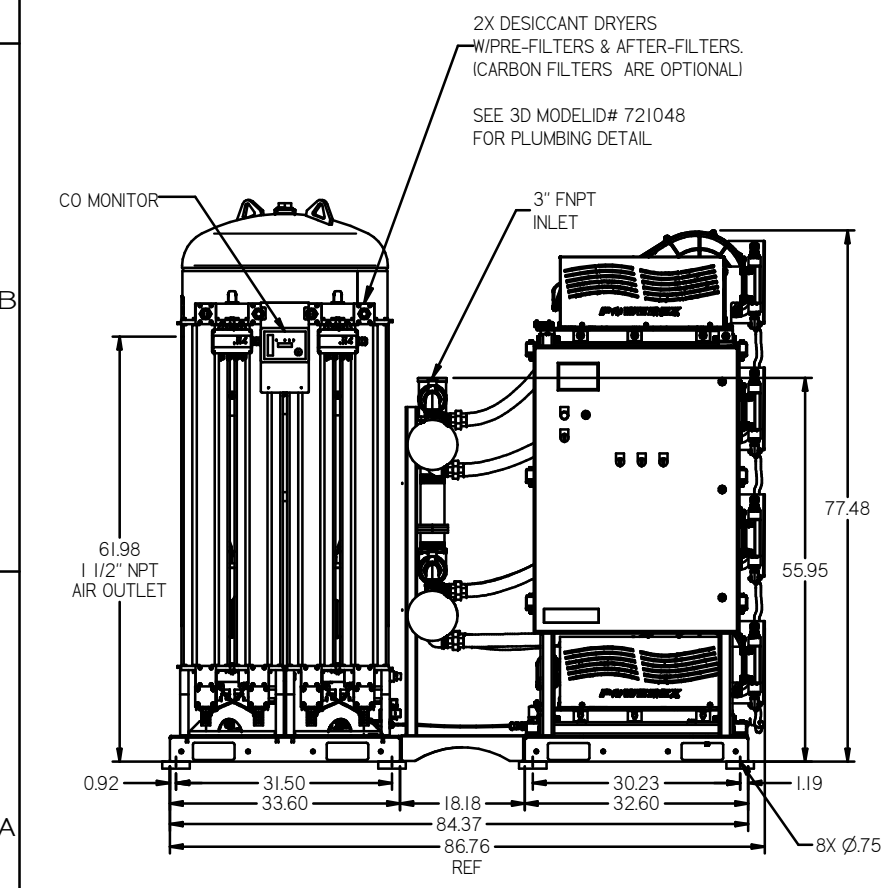
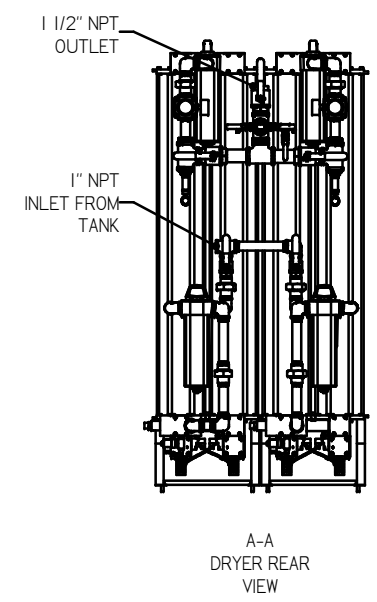
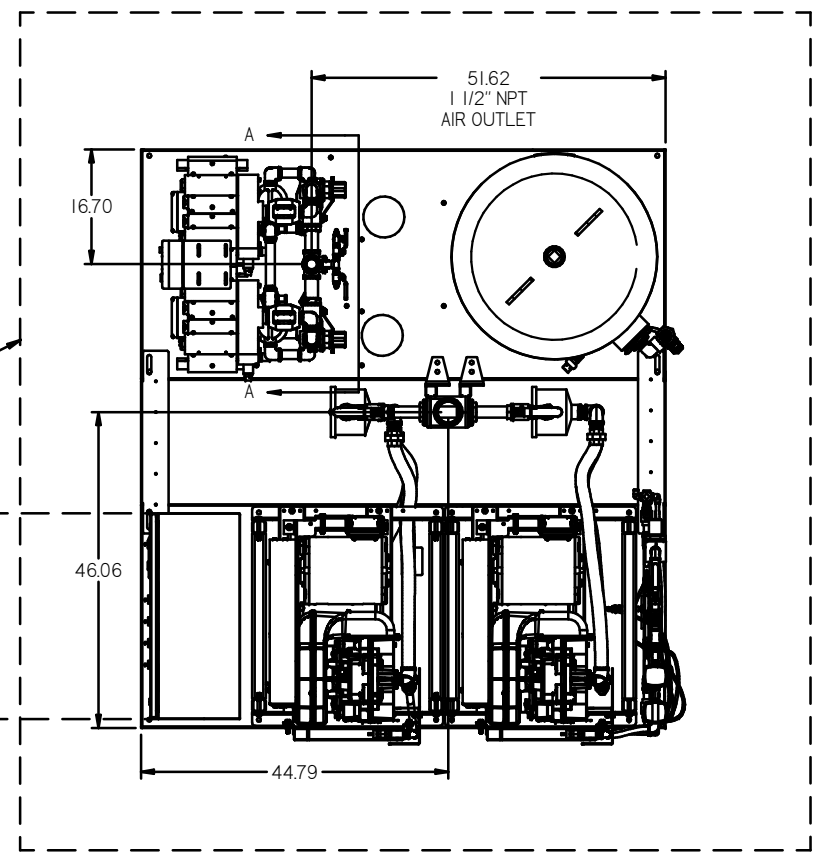


	RELIEF VALVE		PRESSURE SWITCH
	INTAKE FILTER		REGULATOR
	AIR FILTER		SEPARATOR
	3 WAY VALVE		CHECK VALVE
	CARBON FILTER		FLEX LINE
	BALL VALVE		HIGH TEMP SWITCH
			UNION

- NOTES:
- 1) IF LAG 2 COMPRESSOR IS ENERGIZED, ALARM WILL OCCUR.
 - 2) PIPING TO THE INLET BY OTHERS AND TO BE PER NFPA99 4-3.1.1.9(b)
 - 3) INSTRUMENTS DOWN STREAM OF SOURCE VALVE TO BE SUPPLIED BY OTHERS.
 - 5) MINIMUM RECOMMENDED INLET PIPE SIZE IS 3"

TOLERANCES NOT SPECIFIED XX ± XXX ± 4 DEC: 3	AUTOCAD REL2008 LT INCH	DO NOT SCALE DRAWING FOR DIMENSIONS Sheet 2 of 2 SCALE 1:14
CONFIDENTIAL DISCLOSURE This drawing is the property of POWEREX INC. of the SCOTT FETZER COMPANY and subject to return on demand. Its contents are confidential and must not be copied or submitted to outside parties for use or reproduction.		DRAWN BY: JBE CHECKED BY: AEK 2/23/15
PART NAME SCROLL TRIPLEX FLOW SCHEMATIC		DESIGNED BY: JA CT 2/23/15 Dwg No: MST15B5 SIZE: D

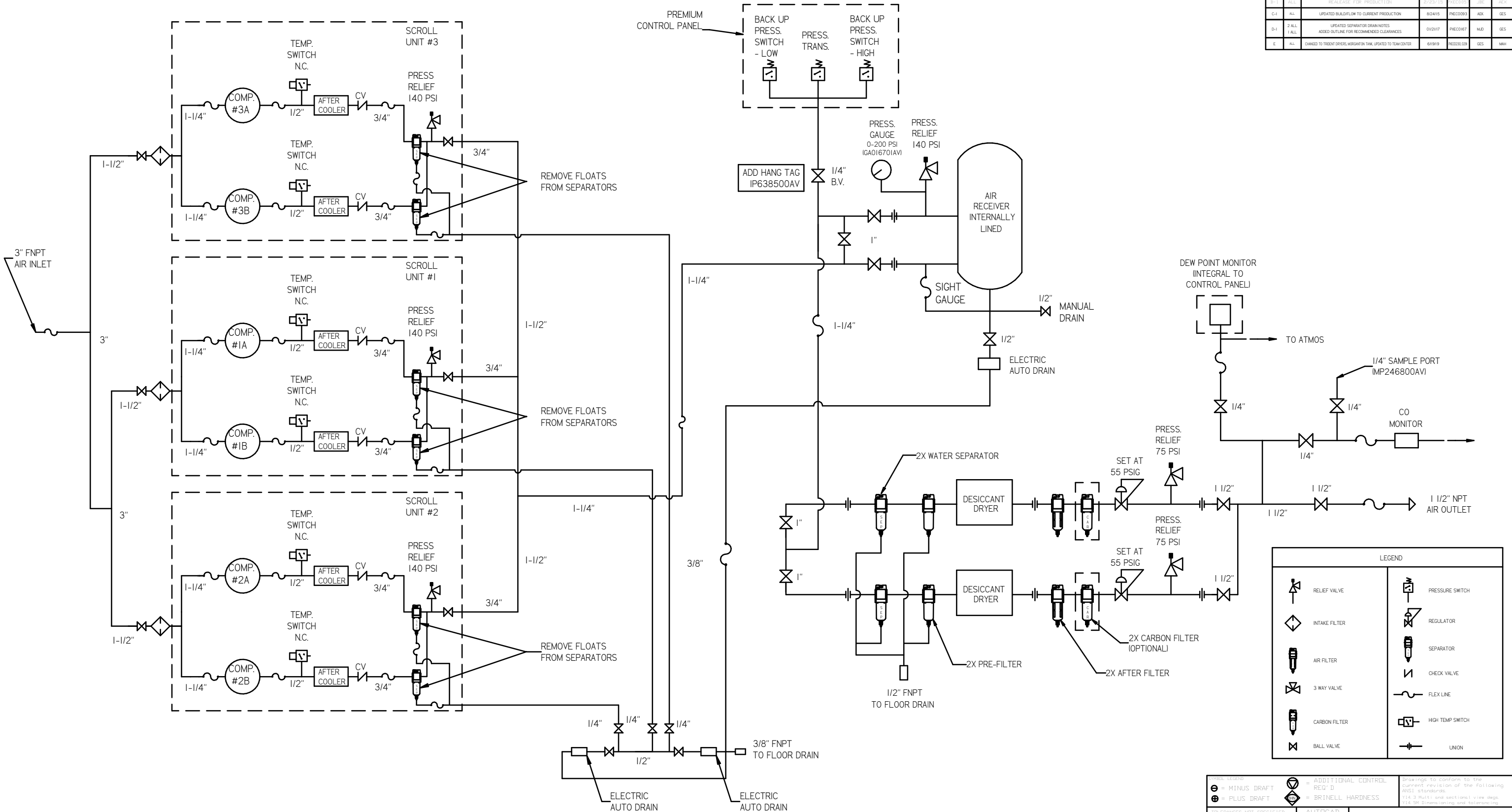
REV	ZONE	REVISION	DATE	ECN	NAME	CHKD
B-1	ALL	RELEASE TO PRODUCTION	02/23/15		JBE	JCT
C-1	ALL	UPDATED BUILDFLOW TO CURRENT PRODUCTION	02/24/15	PREC0093	AKK	GES
D-1	1 ALL	UPDATED SEPARATOR DRAIN NOTES ADDED OUTLINE FOR RECOMMENDED CLEARANCES	01/21/17	PREC0167	MJD	GES
E	ALL	CHANGED TO TIGHTEN SPECS WORKFLOW TANK, UPDATED TO TOW CENTER	01/04/19	PREC0208	GES	MHW



NOTE: SYSTEM DESIGNED IN
COMPLIANCE WITH US NFPA'99,
LATEST EDITION.

TOLERANCES NOT SPECIFIED XX ± XXX ± 4 DEG ±		AUTOCAD RELEASE 1.1 INCH	DO NOT SCALE DRAWING FOR DIMENSIONS Sheet 1 of 2 SCALE 1:14
MATERIAL N/A		POWEREX 150 PRODUCTION DRIVE, HARRISBURG, OHIO 45030 (PH: 614-762-7000 FAX: 614-762-3100)	
PART NAME 15HP 200 GAL MED PXMI TRI SCROLL		ORG/NO MST15B5	SIZE D

REV	ZONE	REVISION	DATE	ECN	NAME	CHKD
B-1	ALL	REVISED FROM PREVIOUS EDITION	1/23/15	000000	JBE	JBE
C-1	ALL	UPDATED BUILDFLOW TO CURRENT PRODUCTION	8/24/15	PRECD093	AEK	GES
D-1	ALL	UPDATED SEPARATOR DRAIN NOTES	01/21/17	PRECD167	MJD	GES
E	ALL	CHANGED TO TRENDS WORKATION TOOL, UPDATED TO TEAM CENTER	8/8/19	PRECD208	GES	MW



	RELIEF VALVE		PRESSURE SWITCH
	INTAKE FILTER		REGULATOR
	AIR FILTER		SEPARATOR
	3 WAY VALVE		CHECK VALVE
	CARBON FILTER		FLEX LINE
	BALL VALVE		HIGH TEMP SWITCH
	UNION		

- NOTES:
- IF LAG 2 COMPRESSOR IS ENERGIZED, ALARM WILL OCCUR.
 - PIPING TO THE INLET BY OTHERS AND TO BE PER NFPA99 4-3.1.1.9(b)
 - INSTRUMENTS DOWN STREAM OF SOURCE VALVE TO BE SUPPLIED BY OTHERS.
 - MINIMUM RECOMMENDED INLET PIPE SIZE IS 3"

TOLERANCES NOT SPECIFIED: XX ± .005 X ± .010 (SEE) ± .015	AUTOCAD RELEASED L.T. INCH	DO NOT SCALE DRAWING FOR DIMENSIONS Sheet 2 of 2 SCALE 1:14
CONFIDENTIAL DISCLOSURE: This drawing is the property of POWEREX INC. or the SCOTT FETZER COMPANY and subject to return on demand. The contents are confidential and must not be copied or submitted to outside parties for use or reproduction.		DRAWN BY: JBE CHECKED BY: AEK APPROVED BY: JA CT 2/23/15 2/23/15 2/23/15 2/23/15
MATERIAL: N/A PART NAME: SCROLL TRIPLEX FLOW SCHEMATIC		 150 PRODUCTION DRIVE, HARRISBURG, PENN. 17109 (717) 659-7000 FAX: (717) 659-7400 CING NO: MST15B5 SIZE: D