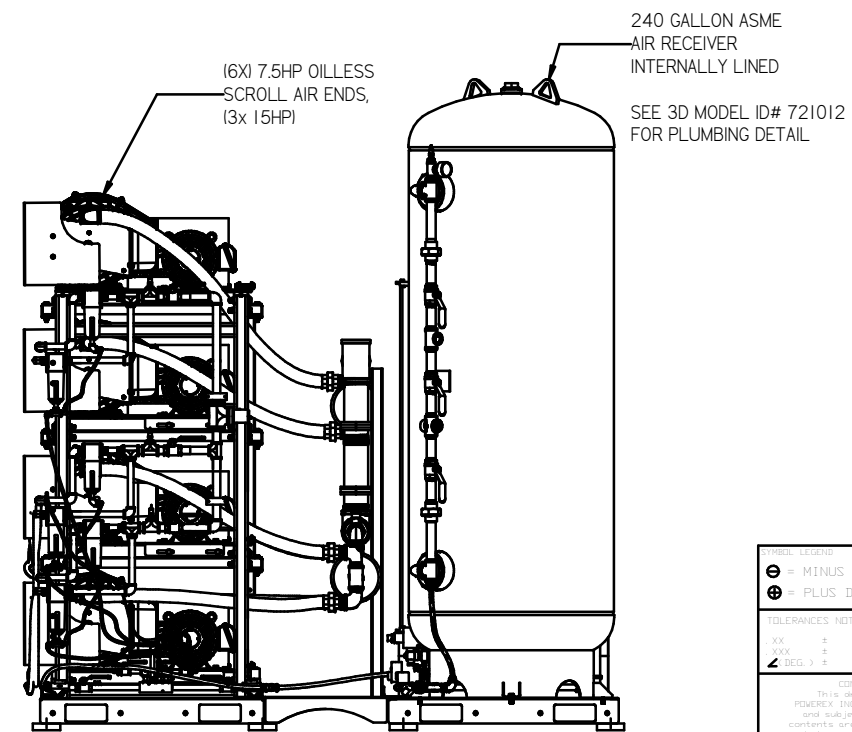
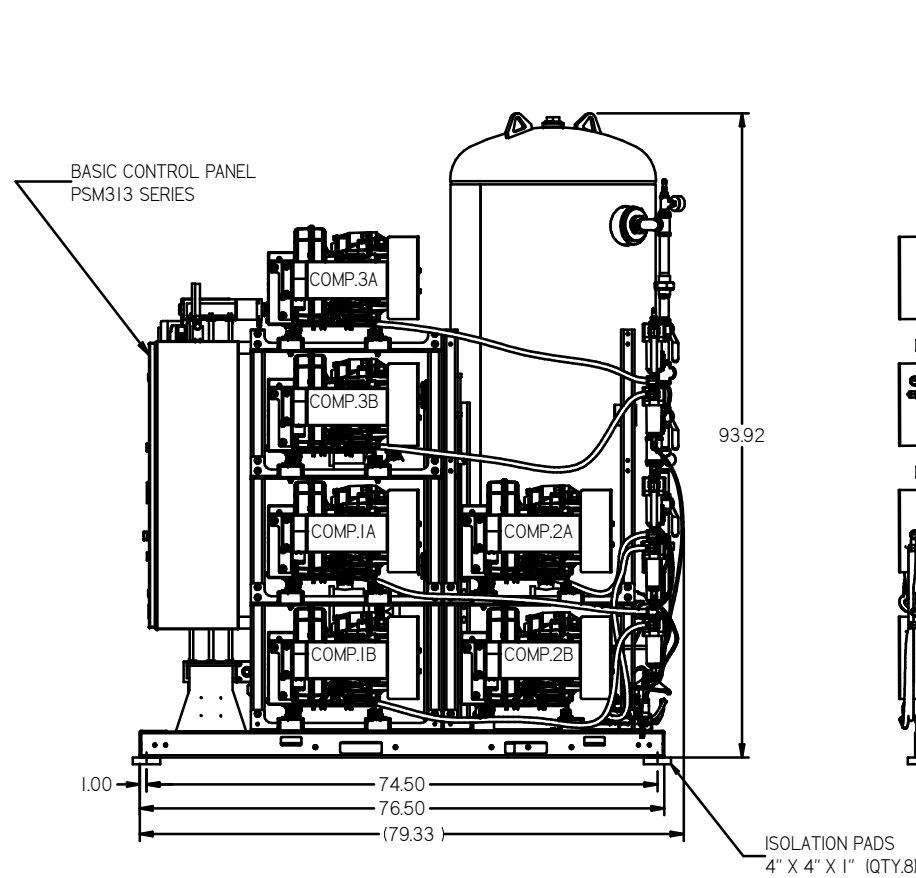
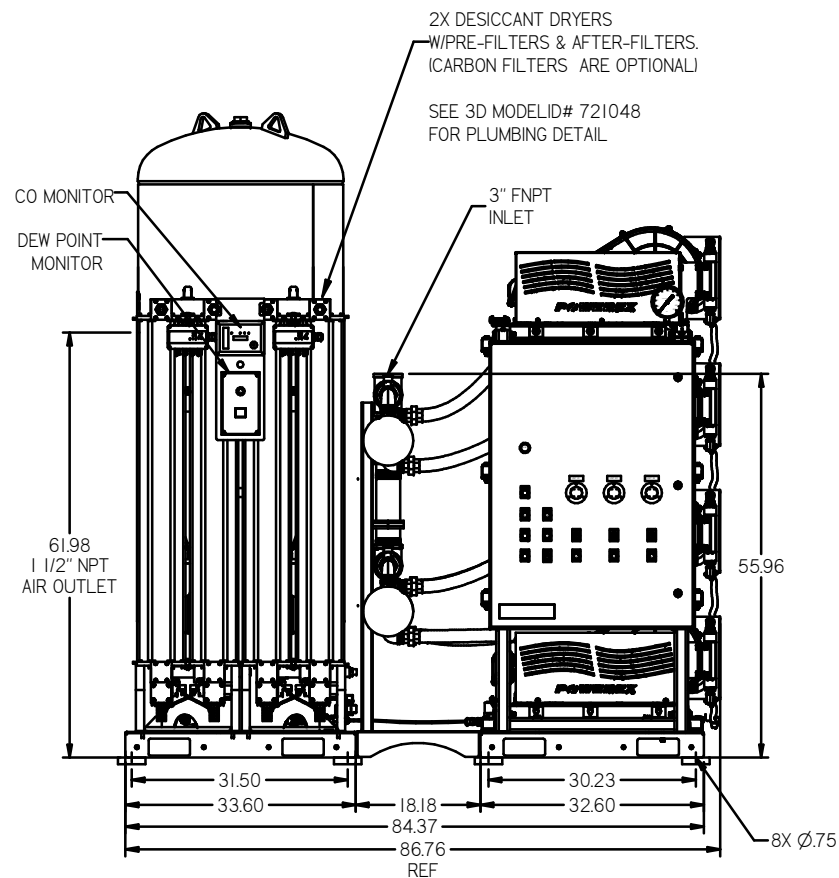
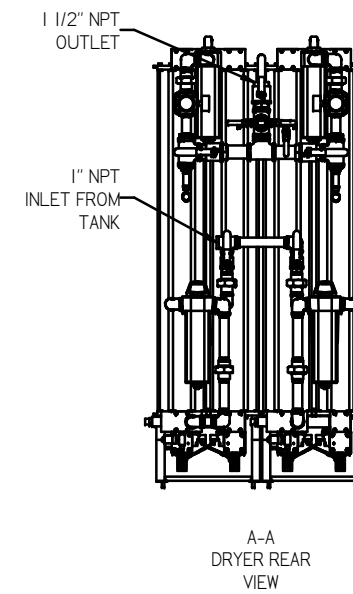
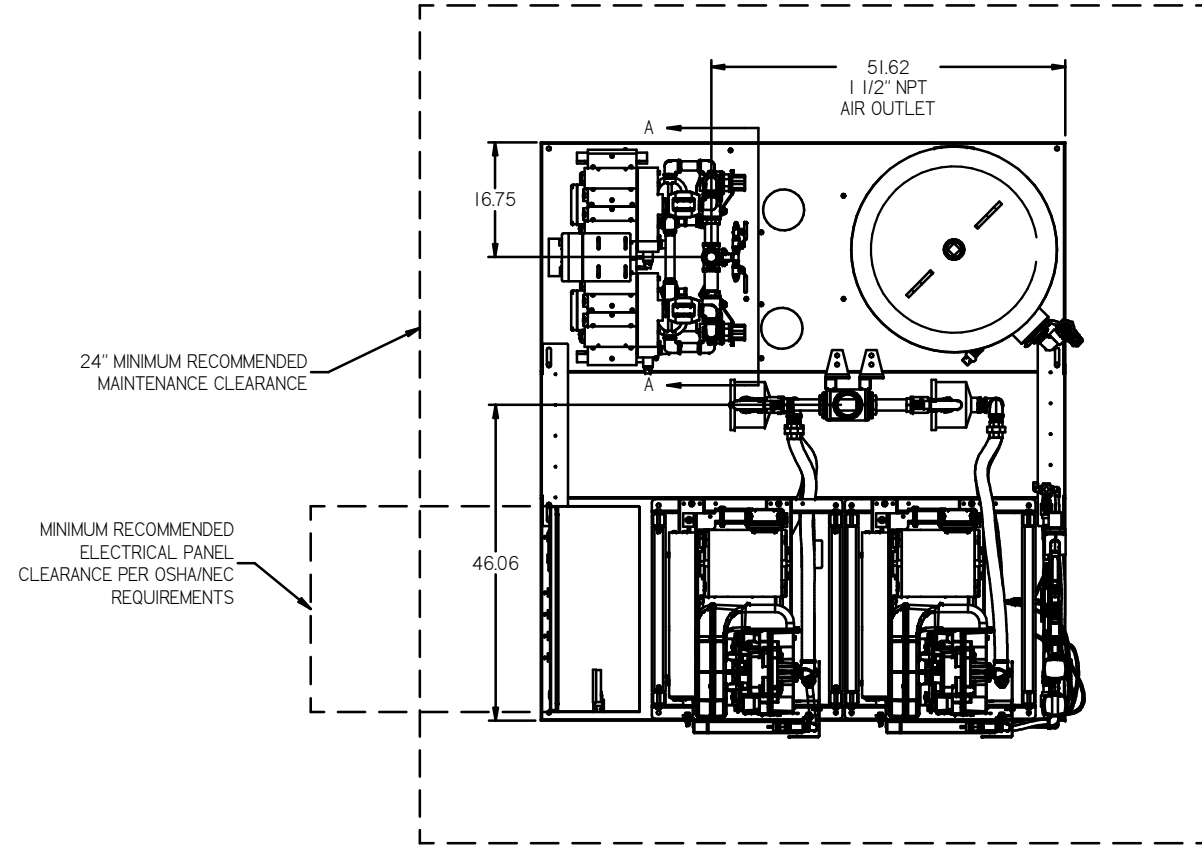


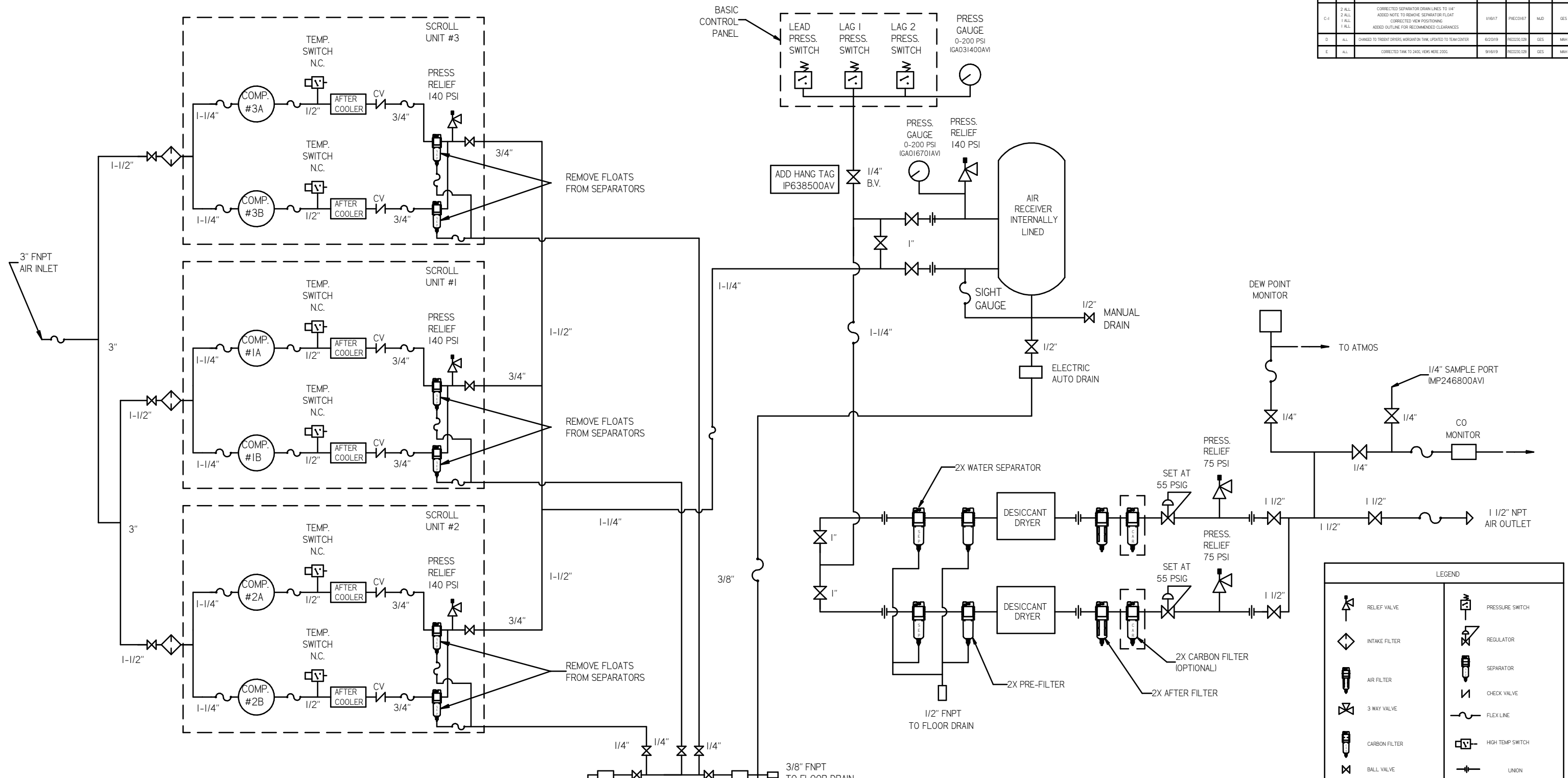
REV	ZONE	REVISION	DATE	EDN	NAME	CHKD
B-1	ALL	RELEASE TO PRODUCTION	8/23/15	PREC315	JBE	AEK
C-1	2 ALL 2 ALL 1 ALL 1 ALL	CORRECTED SEPARATOR DRAIN LINES TO 4W ADDED NOTE TO REMOVE SEPARATOR FLOAT CORRECTED VIEW POSITIONING ADDED OUTLINE FOR RECOMMENDED CLEARANCES	1/16/17	PREC087	MD	GES
D	ALL	CHANGED TO TRENT DRIVERS MORGANTON TANK, UPDATED TO TEAM CENTER	6/20/19	PREC028	GES	MMH
E	ALL	CORRECTED TANK TO 240G VIEW W/RE 200G	8/16/19	PREC028	GES	MMH



NOTE: SYSTEM DESIGNED IN  
COMPLIANCE WITH US NFPA99,  
LATEST EDITION.

MINUS DRAFT PLUS DRAFT TOLERANCES NOT SPECIFIED XX XXX Z	ADDITIONAL CONTROL REQ'D BRINELL HARDNESS AUTOCAD REL2008 LT INCH DO NOT SCALE DRAWING FOR DIMENSIONS Sheet 1 of 2 SCALE 1:14	Drawing to conform to the current revision of the following ANSI Standards: 214.3 First and sectional view style 214.94 Dimensioning and tolerancing
CONFIDENTIAL DISCLOSURE This drawing is the property of POWEREX Inc. or its SCOTT FETZER COMPANY and subject to return on demand. Its contents are confidential and must not be copied or submitted to outside parties for use or reproduction.	DRAWN BY JBE 2/23/15	CHECKED BY DMS 2/23/15
MATERIAL N/A	PART NAME MED SCROLL TRIPLEX 15HP 240GAL	 DWG NO MST15B6 SIZE D

REV	ZONE	REVISION	DATE	ECN	NAME	CHKD
1	ALL	RELEASED FOR PRODUCTION	01/20/15	15000	JBE	JBE
2	ALL	CORRECTED SEPARATOR DRAIN LINES TO 1/4"				
3	ALL	ADDED NOTE TO REMOVE SEPARATOR FLOAT				
4	ALL	CORRECTED VIEW POSITIONING				
5	ALL	ADDED OUTLINE FOR RECOMMENDED CLEARANCES				
6	ALL	CHANGED TO TREAT DRYERS, HORIZONTAL TANK UPDATED TO TANK CENTER	02/03/15	15000	GES	MWH
7	ALL	CORRECTED TANK TO 2400 VIEWS HERE 2000	01/16/15	15000	GES	MWH

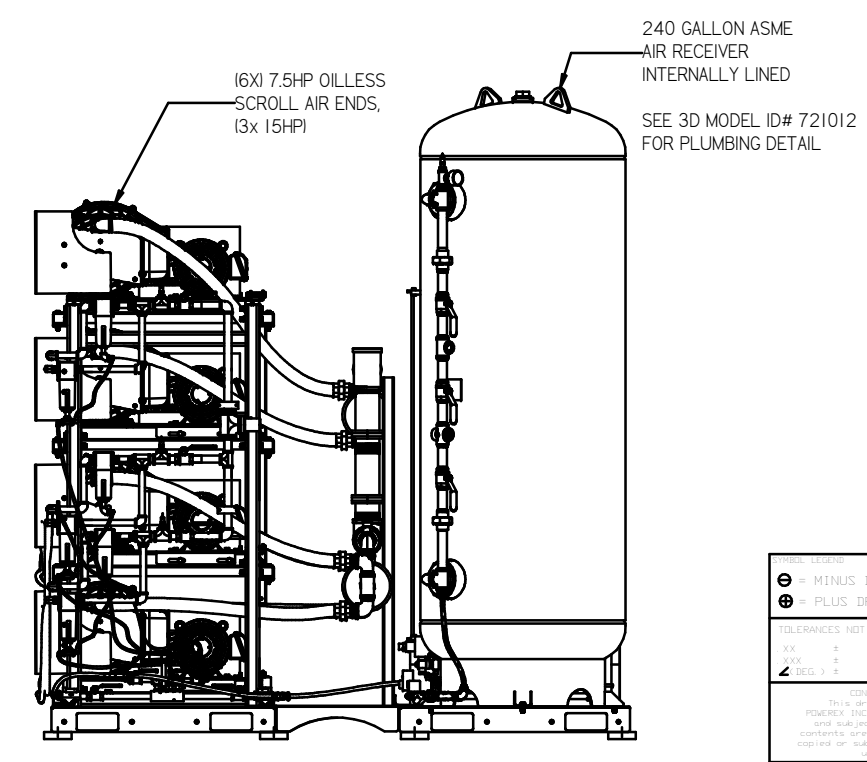
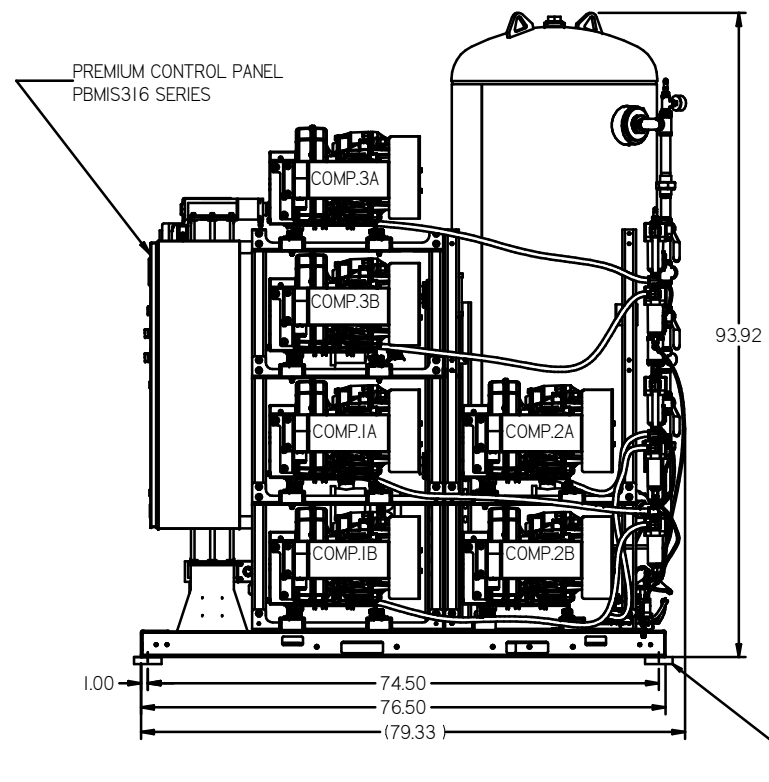
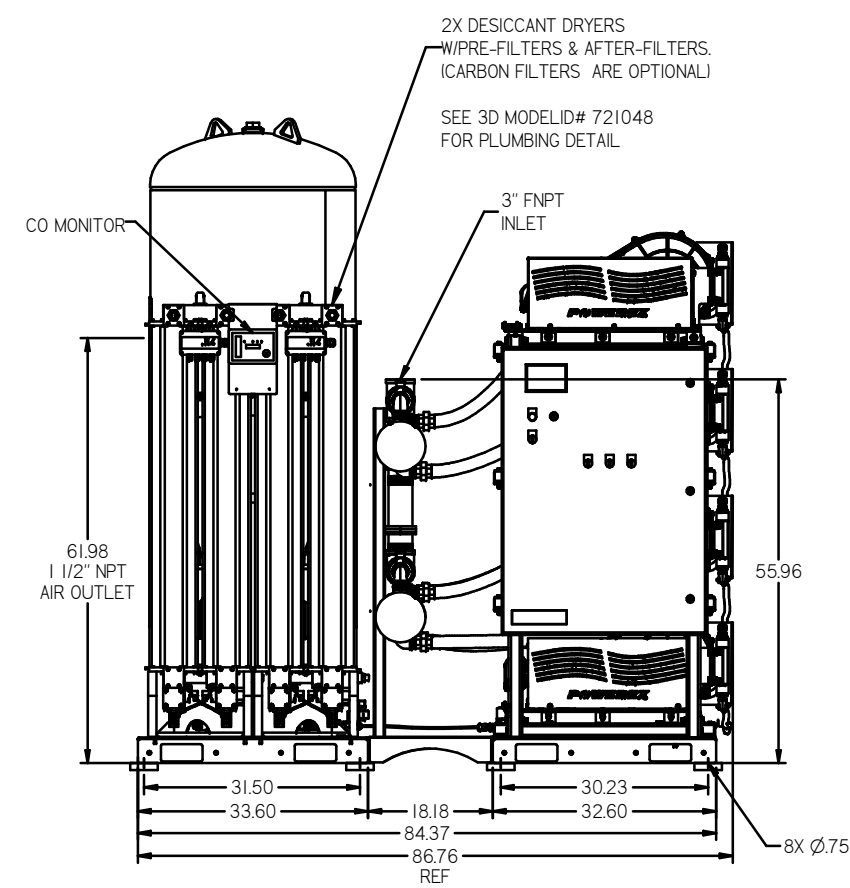
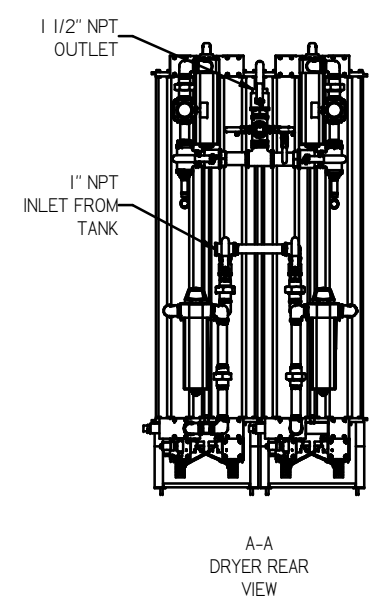
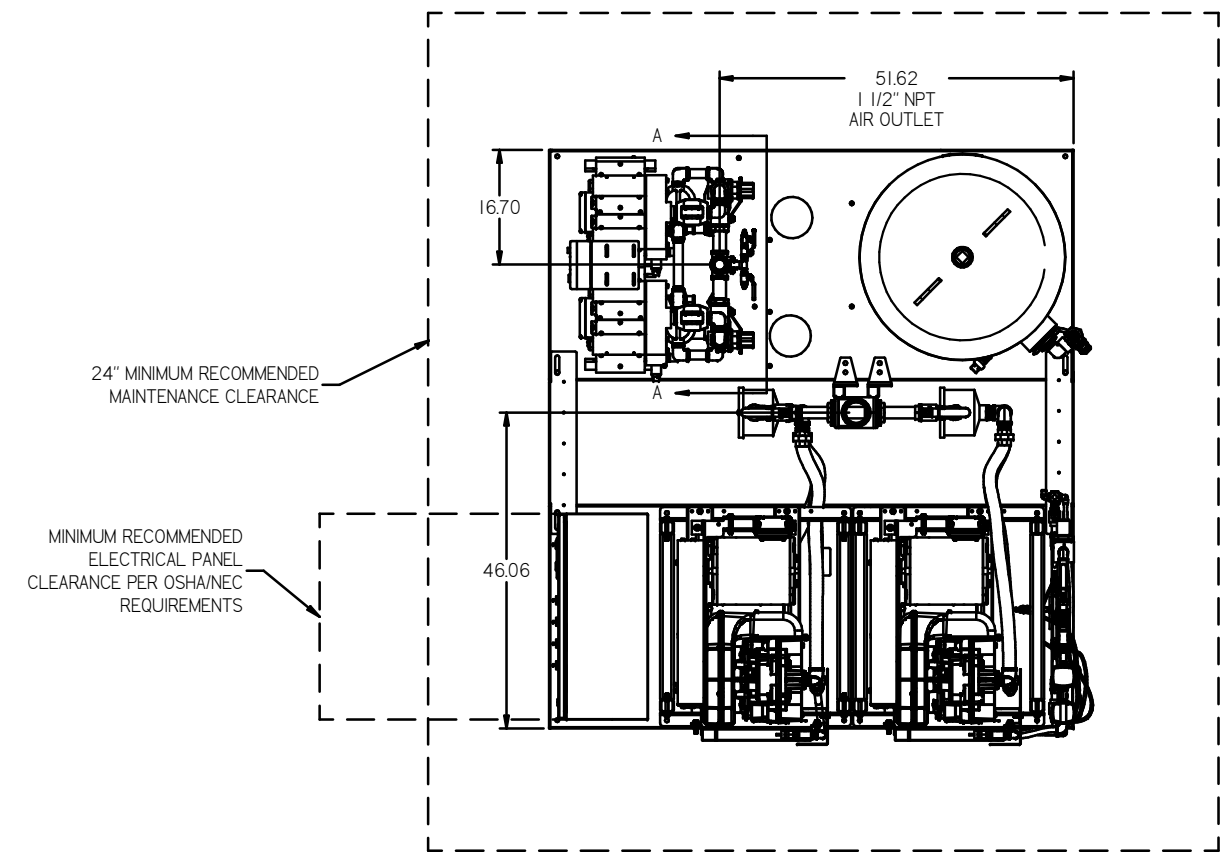


LEGEND	
	RELIEF VALVE
	INTAKE FILTER
	AIR FILTER
	3 WAY VALVE
	CARBON FILTER
	BALL VALVE
	PRESSURE SWITCH
	REGULATOR
	SEPARATOR
	CHECK VALVE
	FLEX LINE
	HIGH TEMP SWITCH
	UNION

- NOTES:
- 1) IF LAG 2 COMPRESSOR IS ENERGIZED ALARM WILL OCCUR.
  - 2) PIPING TO THE INLET BY OTHERS AND TO BE PER NFPA99 4-3.1.9(b)
  - 3) INSTRUMENTS DOWN STREAM OF SOURCE VALVE TO BE SUPPLIED BY OTHERS.
  - 4) MINIMUM RECOMMENDED INLET PIPE SIZE IS 3"

TOLERANCES NOT SPECIFIED	AUTOCAD REL2008 LT	DO NOT SCALE DRAWING FOR DIMENSIONS	SCALE 1:14
<small>CONFIDENTIAL DISCLOSURE</small> This drawing is the property of POWEREX INC of the SCOTT FETZER COMPANY and subject to return on demand. Its contents are confidential and must not be copied or submitted to outside parties for use or reproduction.	SHEET NO <b>INCH</b>	SHEET OF <b>2</b>	DATE <b>2/23/15</b>
MATERIAL N/A		DRAWN BY JBE	
PART NAME <b>SCROLL TRIPLEX FLOW SCHEMATIC</b>		CHECKED BY AEK	
DWG NO <b>MST15B6</b>		APPROVED BY JA	
SIZE <b>D</b>		DATE 2/23/15	

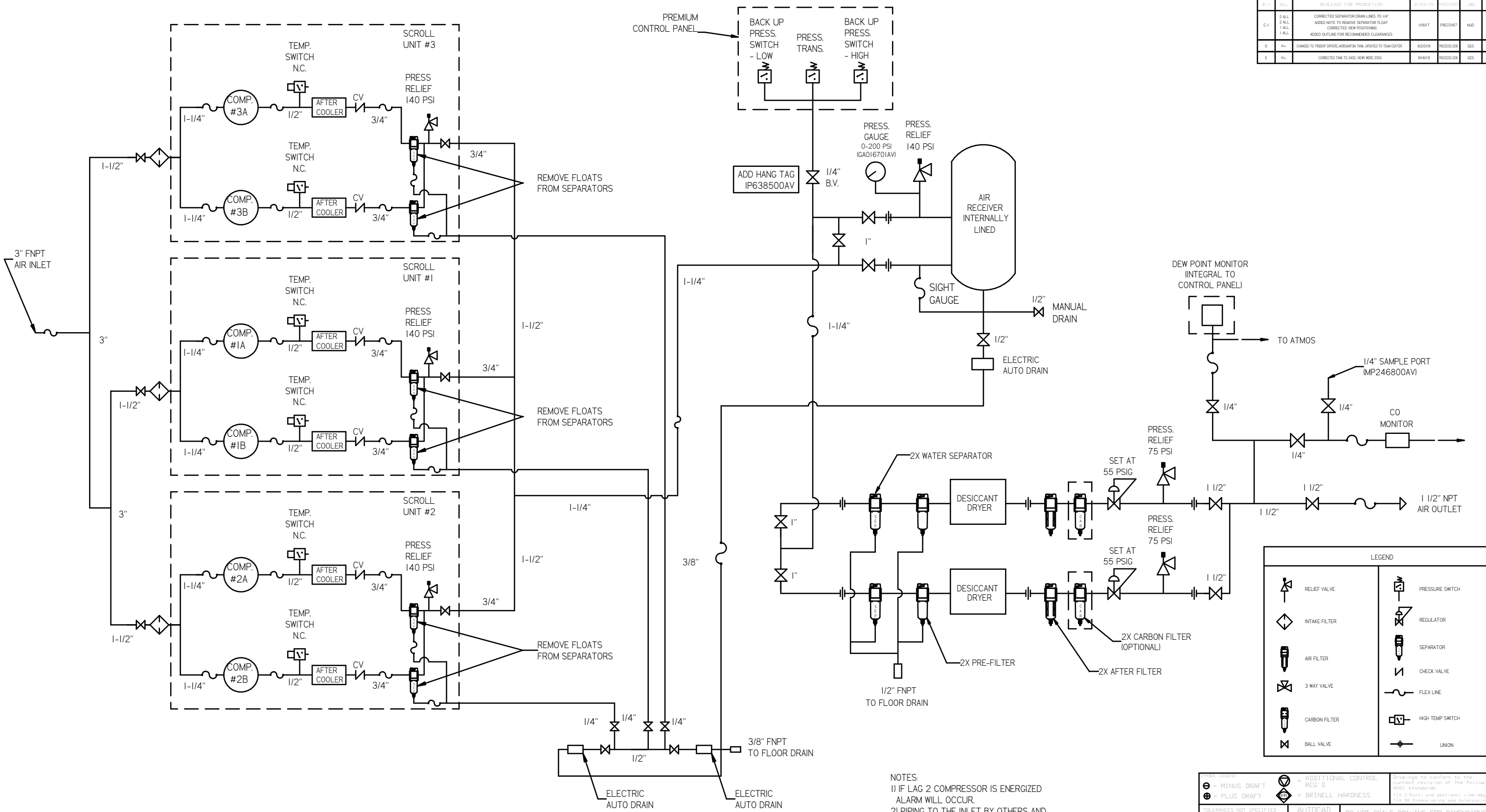
REV	ZONE	REVISION	DATE	ECN	NAME	CHKD
B-1	ALL	RELEASE TO PRODUCT USE	1/16/15		JBE	AKV
C-1	2 ALL 2 ALL 1 ALL 1 ALL	CORRECTED SEPARATOR DRAIN LINES TO 1/4" ADDED NOTE TO REMOVE SEPARATOR FLOAT CORRECTED VIEW POSITIONING ADDED OUTLINE FOR RECOMMENDED CLEARANCES	1/16/17		PAE0167	MJD GES
D	ALL	CHANGED TO PREVENT DRYER W/REGATOR TANK, POINTED TO TANK CENTER	8/23/19		REG026.029	GES MMH
E	ALL	CORRECTED TANK TO 240G. VIEW MORE 200G.	8/16/19		REG026.029	GES MMH



NOTE: SYSTEM DESIGNED IN  
COMPLIANCE WITH US NFPA'99,  
LATEST EDITION.

TOLERANCES NOT SPECIFIED XX ± .01 XXX ± .005 4 DEC. 1, 3	AUTOCAD REL2008 LT INCH	DO NOT SCALE DRAWING FOR DIMENSIONS Sheet 1 of 2 SCALE 1:14
CONFIDENTIAL DISCLOSURE This drawing is the property of POWEREX INC. or the SCOTT FELTZER COMPANY and is to be returned on demand. It contains confidential information and must not be copied or submitted to outside parties for use or reproduction.	DRAWN BY JBE	CHECKED BY DMS
MATERIAL N/A	DATE 2/23/15	DATE 2/23/15
PART NAME MED SCROLL TRIPLEX 15HP 240GAL		SIZE D

REV	ZONE	REVISION	DATE	ECN	NAME	CHKD
0-1	ALL	PRELIMINARY FOR PRODUCTION	8/23/15		JBE	AEK
1-1	ALL	CORRECTED SEPARATOR DRAIN LINES TO 1/4"				
2	ALL	ADDED NOTE TO REMOVE SEPARATOR FLOAT				
3	ALL	ADDED OUTLINE FOR RECOMMENDED CLEARANCES				
4	ALL	CHANGED TO TREAT SPRESS MORGAN TANK, UPKATED TO TEM CENTER	10/6/17		PREC0167	MJD
5	ALL		8/20/19		PREC0202	GES
6	ALL		8/16/19		PREC0202	GES
7	ALL		8/16/19		PREC0202	GES
8	ALL		8/16/19		PREC0202	GES



	RELIEF VALVE		PRESSURE SWITCH
	INTAKE FILTER		REGULATOR
	AIR FILTER		SEPARATOR
	3 WAY VALVE		CHECK VALVE
	CARBON FILTER		FLEX LINE
	BALL VALVE		HIGH TEMP SWITCH
	UNION		

NOTES:  
 1) IF LAG 2 COMPRESSOR IS ENERGIZED ALARM WILL OCCUR.  
 2) PIPING TO THE INLET BY OTHERS AND TO BE PER NFPA99 4-3.1.1.9(b)  
 3) INSTRUMENTS DOWN STREAM OF SOURCE VALVE TO BE SUPPLIED BY OTHERS.  
 4) MINIMUM RECOMMENDED INLET PIPE SIZE IS 3"

TOLERANCES NOT SPECIFIED XX ± Z (DEG.) ±	AUTOCAD RELEASED I.T. <b>INCH</b>	DO NOT SCALE DRAWING FOR DIMENSIONS Sheet 2 of 2 SCALE 1:14
MATERIAL N/A	PART NAME SCROLL TRIPLEX FLOW SCHEMATIC	 150 PRODUCE DR. BOSTON, MASSACHUSETTS 02124 Ph: 888-762-7979, Fax: 451-313-3125
DWN BY JBE	CHCKD BY AEK	APPRVD BY JA
2/23/15	2/23/15	2/23/15
DWN NO MST15B6		SIZE D