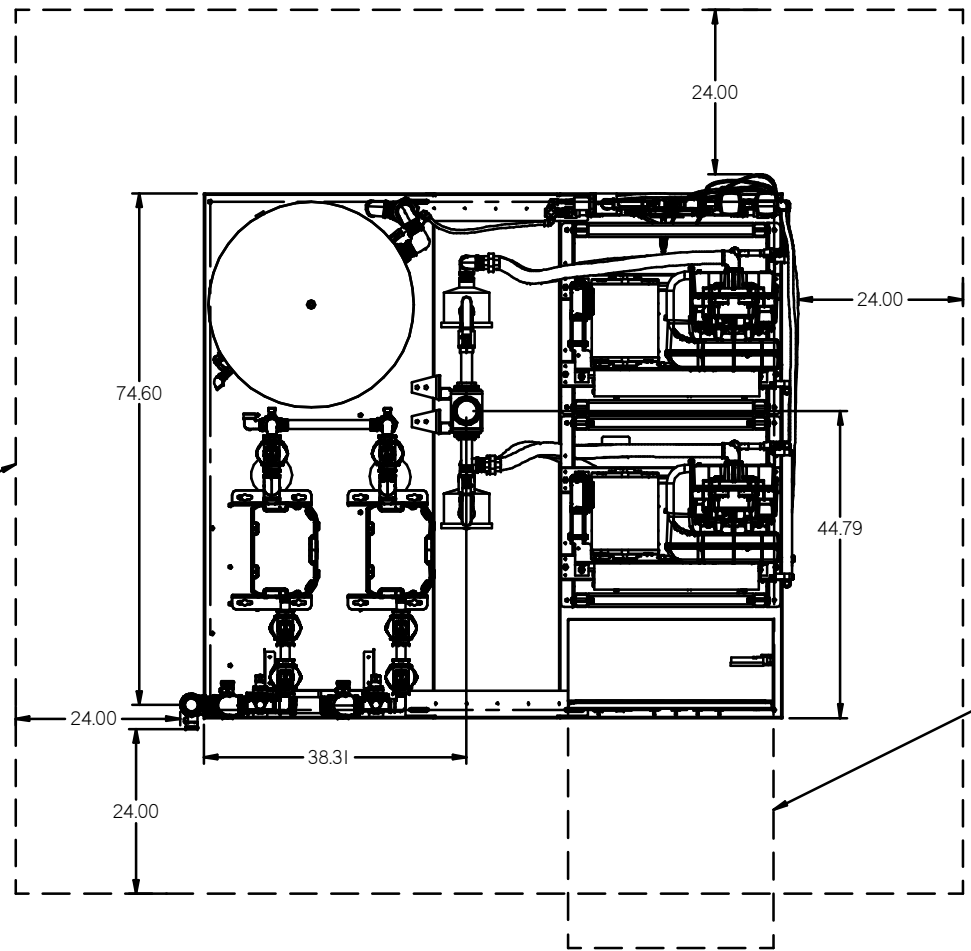
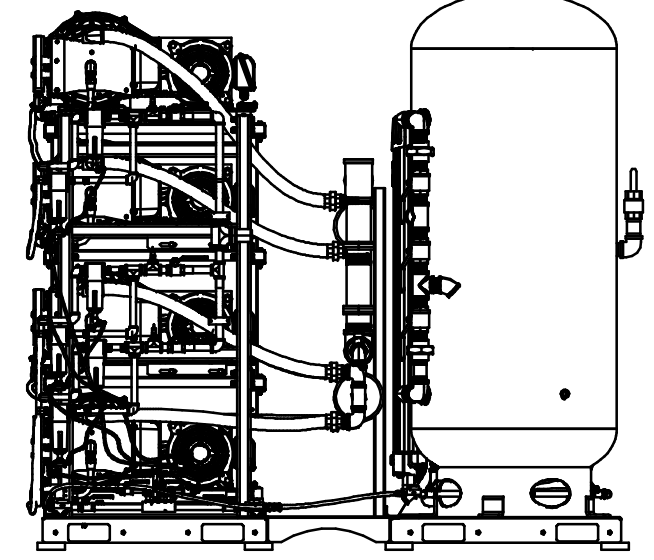
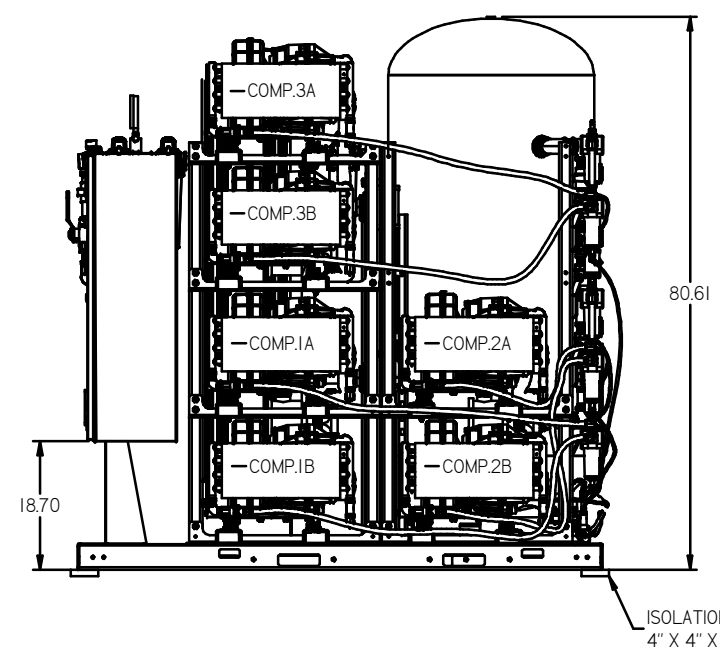
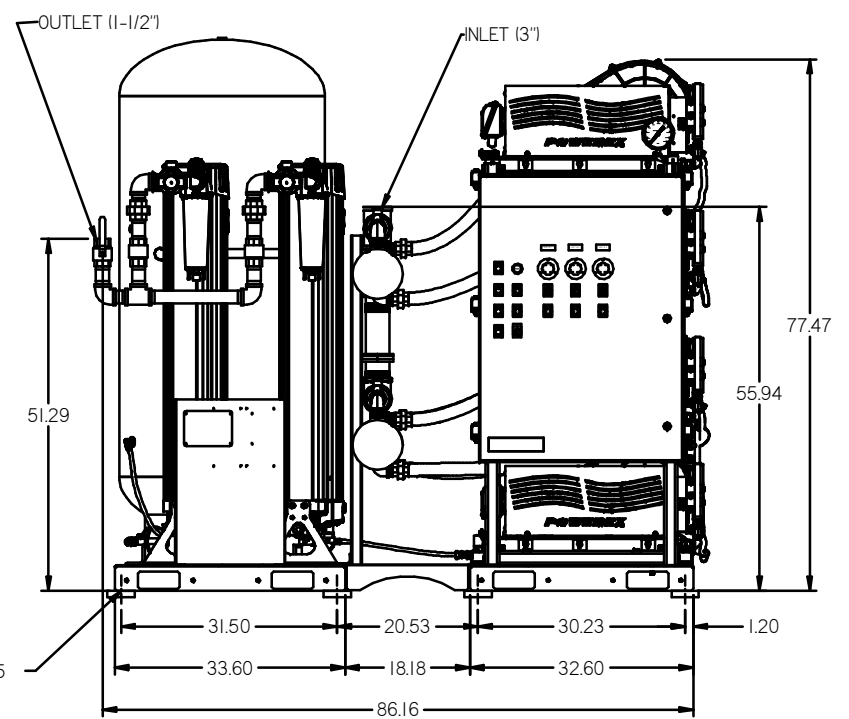
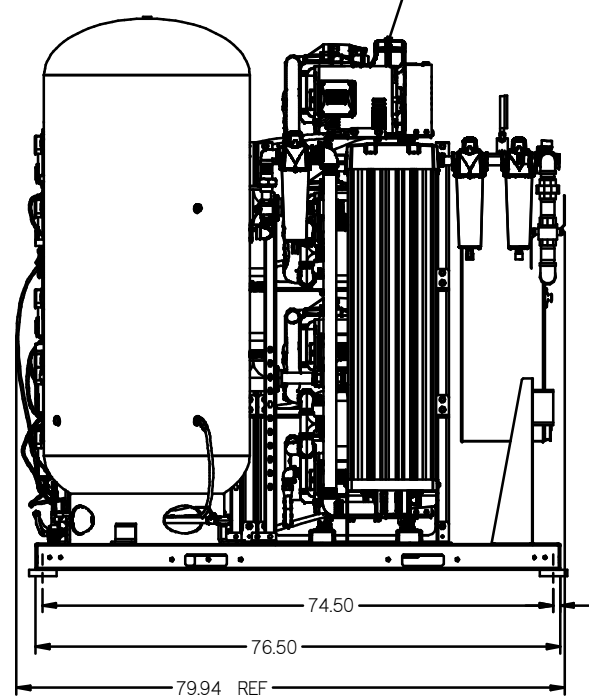


REV	ZONE	REVISION	DATE	ECN	NAME	CHKD
B	ALL	RELEASED FOR PRODUCTION	2/23/15		JBE	JBE
C-1	2 ALL 2 ALL 1 ALL	CORRECTED SEPARATOR DRAIN LINES TO 1/4" ADDED NOTE TO REMOVE SEPARATOR FLOAT CORRECTED VIEW POSITIONING ADDED OUTLINE FOR RECOMMENDED CLEARANCES	1/16/17		PIECODIET	MJD GES
D	1 ALL	UPDATED DRYERS AND OUTLET PIPING IN BUILD	4/11/19		PIECODIET	RAH SJA



2X DESICCANT DRYER
W/ DEW POINT MONITOR,
CARBON MONOXIDE MONITOR,
PRE-FILTER, AFTER-FILTER,
& CARBON FILTER (OPTIONAL)

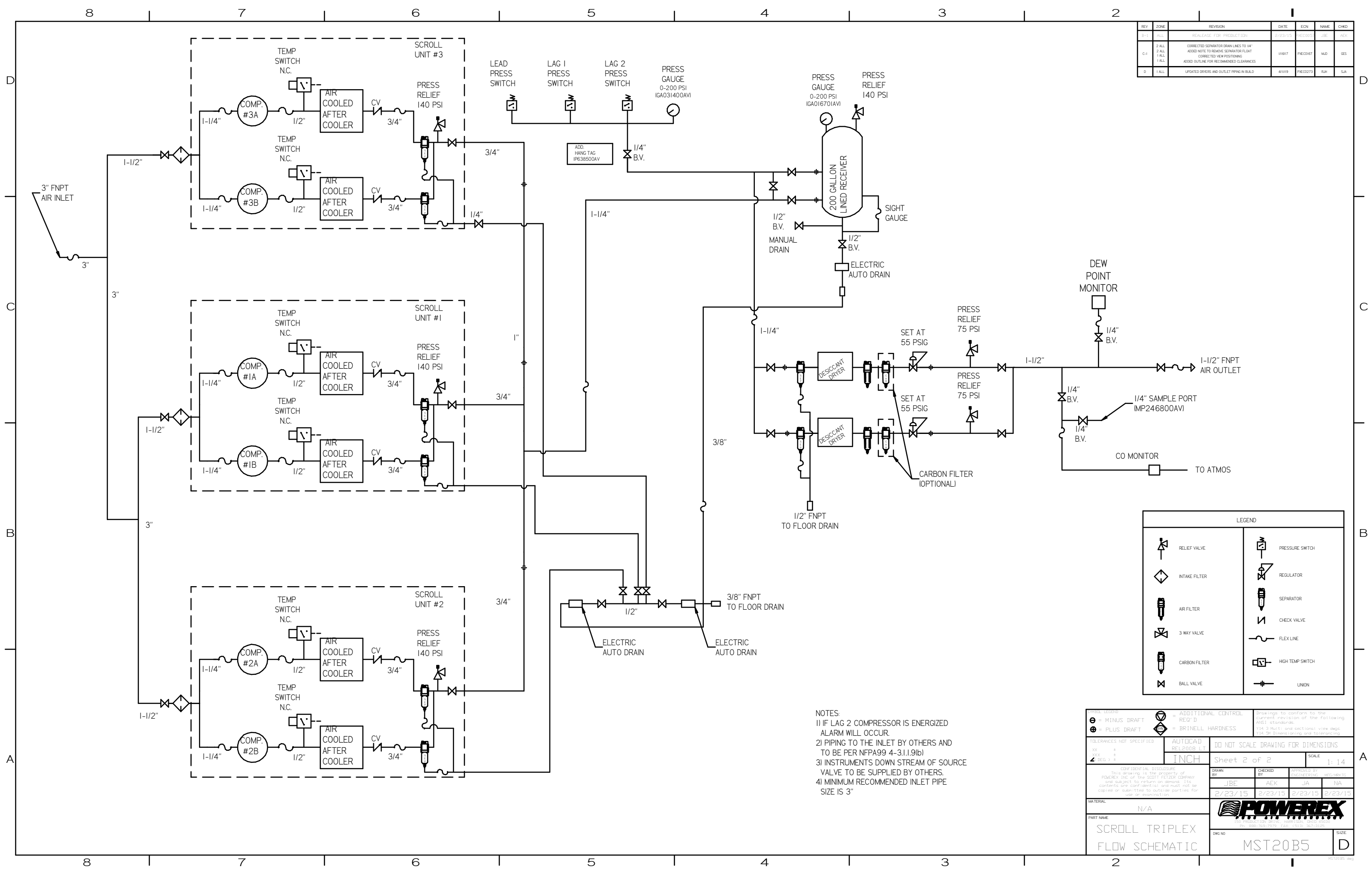
200 GALLON ASME
AIR RECEIVER
INTERNALLY LINED



NOTE: SYSTEM DESIGNED IN
COMPLIANCE WITH US NFPA'99,
LATEST EDITION.

SYMBOL LEGEND		DRAWINGS TO CONFORM TO THE CURRENT REVISION OF THE FOLLOWING ANSI STANDARDS:	
⊖	MINUS DRAFT	ASME Y14.3	MULTI-VIEW DRAWINGS
⊕	PLUS DRAFT	ASME Y14.5	SECTIONAL VIEW DRAWINGS
⊗	ADDITIONAL CONTROL REQ'D	ASME Y14.9	WELDING SYMBOLS
⊘	BRINELL HARDNESS	ASME Y14.10	THREADS AND THREAD FITS
TOLERANCES NOT SPECIFIED		DO NOT SCALE DRAWING FOR DIMENSIONS	
XX	FRACTIONAL DECIMALS	Sheet 1 of 2	
XXX	DECIMALS	SCALE 1:14	
2 DEC.	2 DECIMALS	INCH	
CONFIDENTIAL DISCLOSURE		DRAWN BY	
THIS DRAWING IS THE PROPERTY OF POWEREX INC. OF THE SCOTT FETZER COMPANY and subject to return on demand. Its contents are confidential and must not be copied or submitted to outside parties for use or examination.		CHECKED BY	
		APPROVED BY	
		DATE	
		DATE	
		DATE	
		DATE	
MATERIAL		N/A	
PART NAME		MED SCROLL TRIPLEX	
DWG NO		MST20B5	
SIZE		D	

REV	ZONE	REVISION	DATE	ECN	NAME	CHD
B-1	ALL	RELEASE FOR PRODUCTION	2/23/15	REC005	JBE	AEK
C-1	2 ALL	CORRECTED SEPARATOR DRAIN LINES TO 14"				
	1 ALL	ADDED NOTE TO REMOVE SEPARATOR FLOAT	11/07	PRE0167	MD	GES
	1 ALL	CORRECTED VIEW POSITIONING				
D	1 ALL	ADDED OUTLINE FOR RECOMMENDED CLEARANCES				
D	1 ALL	UPDATED DRIVERS AND OUTLET PIPING IN BUILD	4/1/19	PRE0273	RAH	SJA

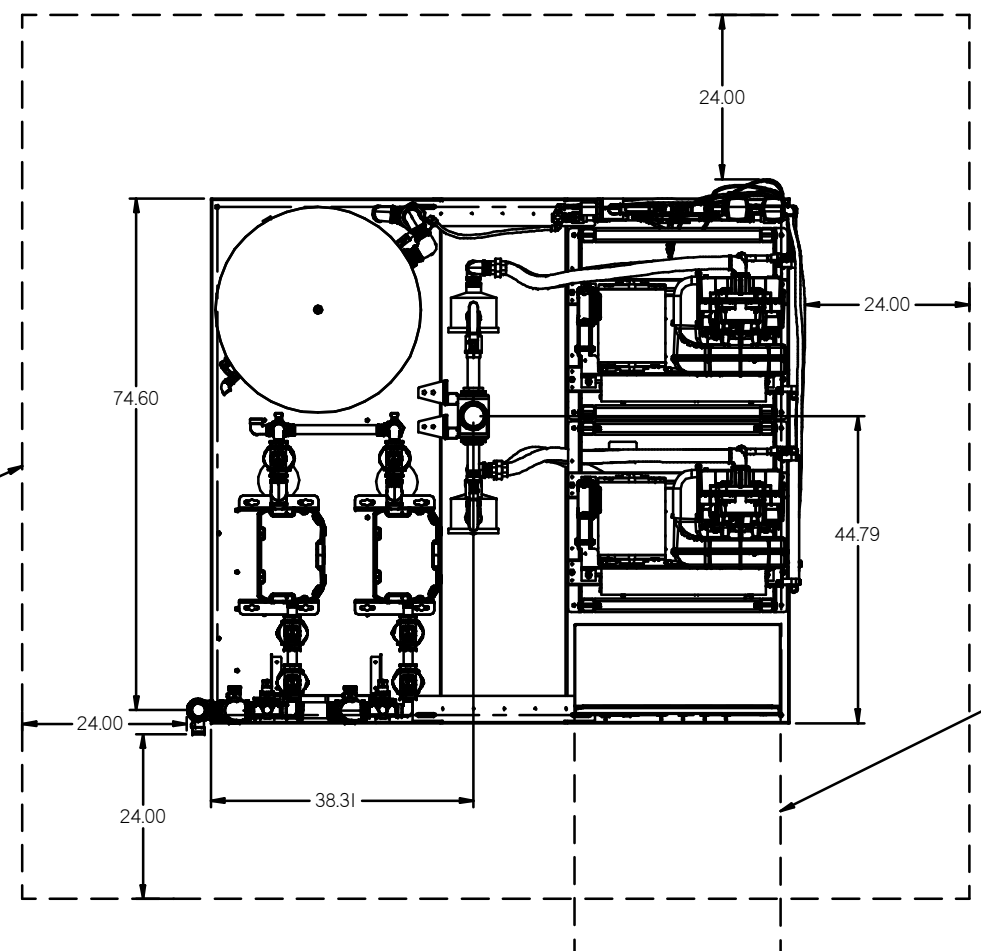


	RELIEF VALVE		PRESSURE SWITCH
	INTAKE FILTER		REGULATOR
	AIR FILTER		SEPARATOR
	3 WAY VALVE		CHECK VALVE
	CARBON FILTER		FLEX LINE
	BALL VALVE		HIGH TEMP SWITCH
			UNION

- NOTES:
 1) IF LAG 2 COMPRESSOR IS ENERGIZED ALARM WILL OCCUR.
 2) PIPING TO THE INLET BY OTHERS AND TO BE PER NFPA99 4-3.1.1.9(b)
 3) INSTRUMENTS DOWN STREAM OF SOURCE VALVE TO BE SUPPLIED BY OTHERS.
 4) MINIMUM RECOMMENDED INLET PIPE SIZE IS 3"

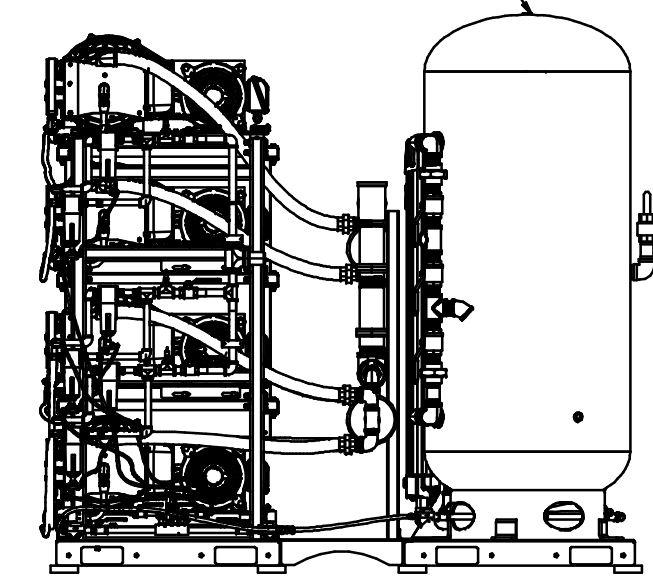
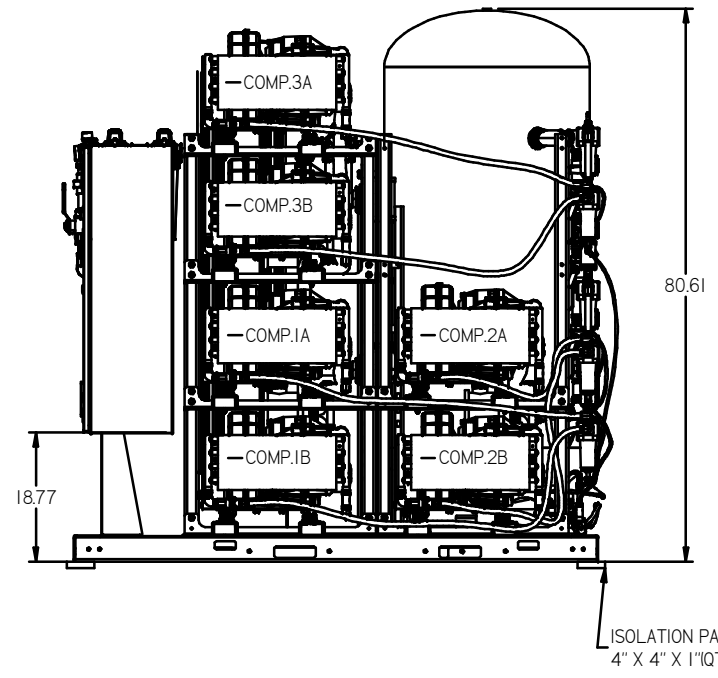
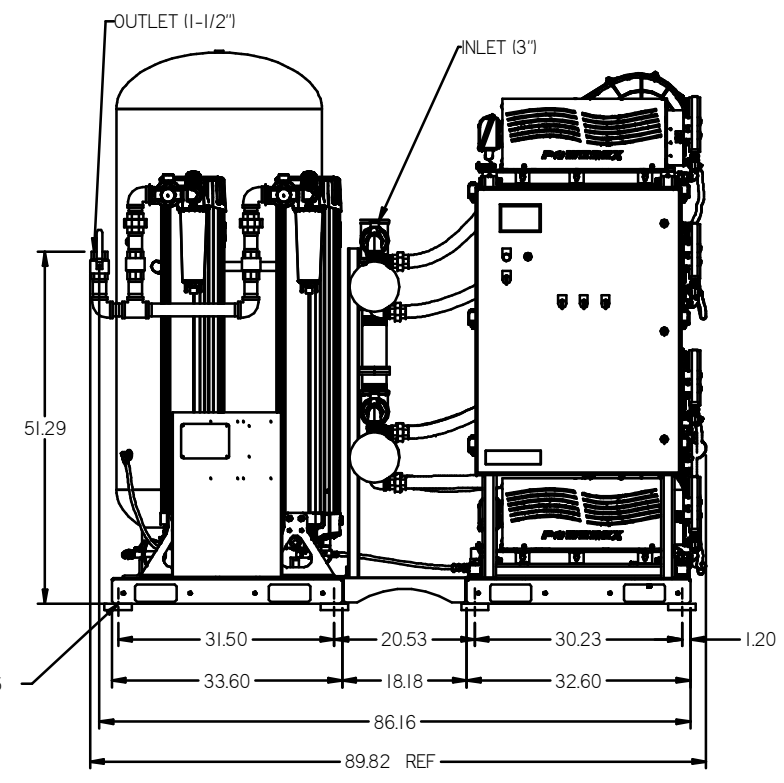
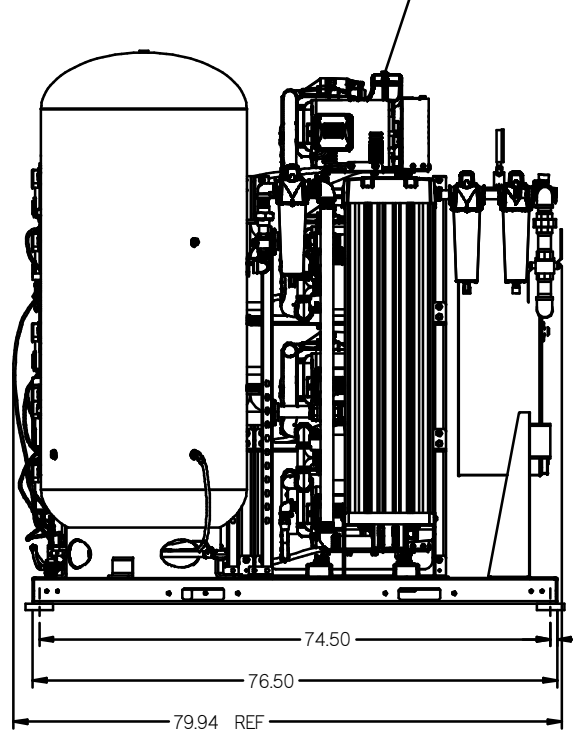
TOLERANCES NOT SPECIFIED XX ± XXX ± 4 DEC 1-2	AUTOCAD REL200B LT INCH	DO NOT SCALE DRAWING FOR DIMENSIONS Sheet 2 of 2 SCALE 1:14
CONFIDENTIAL DISCLOSURE This drawing is the property of POWEREX, INC. of the SODI FETZER COMPANY and subject to return on demand. Its contents are confidential and must not be copied or submitted to outside parties for use or reproduction.	DRAWN BY: JBE CHECKED BY: AEK 2/23/15	APPROVED BY: JA NA 2/23/15 2/23/15 2/23/15 2/23/15
MATERIAL: N/A		
PART NAME: SCROLL TRIPLEX FLOW SCHEMATIC	DWG NO: MST20B5	SIZE: D

REV	ZONE	REVISION	DATE	ECN	NAME	CHD
B-1	ALL	RELEASE TO PRODUCTION	2/23/15	REC005	JBE	AK
C-1	2 ALL	CORRECTED SEPARATOR DRAIN LINES TO 44"				
	2 ALL	ADDED NOTE TO REMOVE SEPARATOR FLOAT				
	1 ALL	CORRECTED VIEW POSITIONING				
	1 ALL	ADDED OUTLINE FOR RECOMMENDED CLEARANCES	1/6/17	PEC0167	MJD	GES
D	1 ALL	UPDATED DRIVERS AND OUTLET PIPING IN BUILD	4/1/19	PEC0273	RJH	SJA



2X DESICCANT DRYER
W/ CARBON MONOXIDE MONITOR,
PRE-FILTER, AFTER-FILTER,
& CARBON FILTER (OPTIONAL).

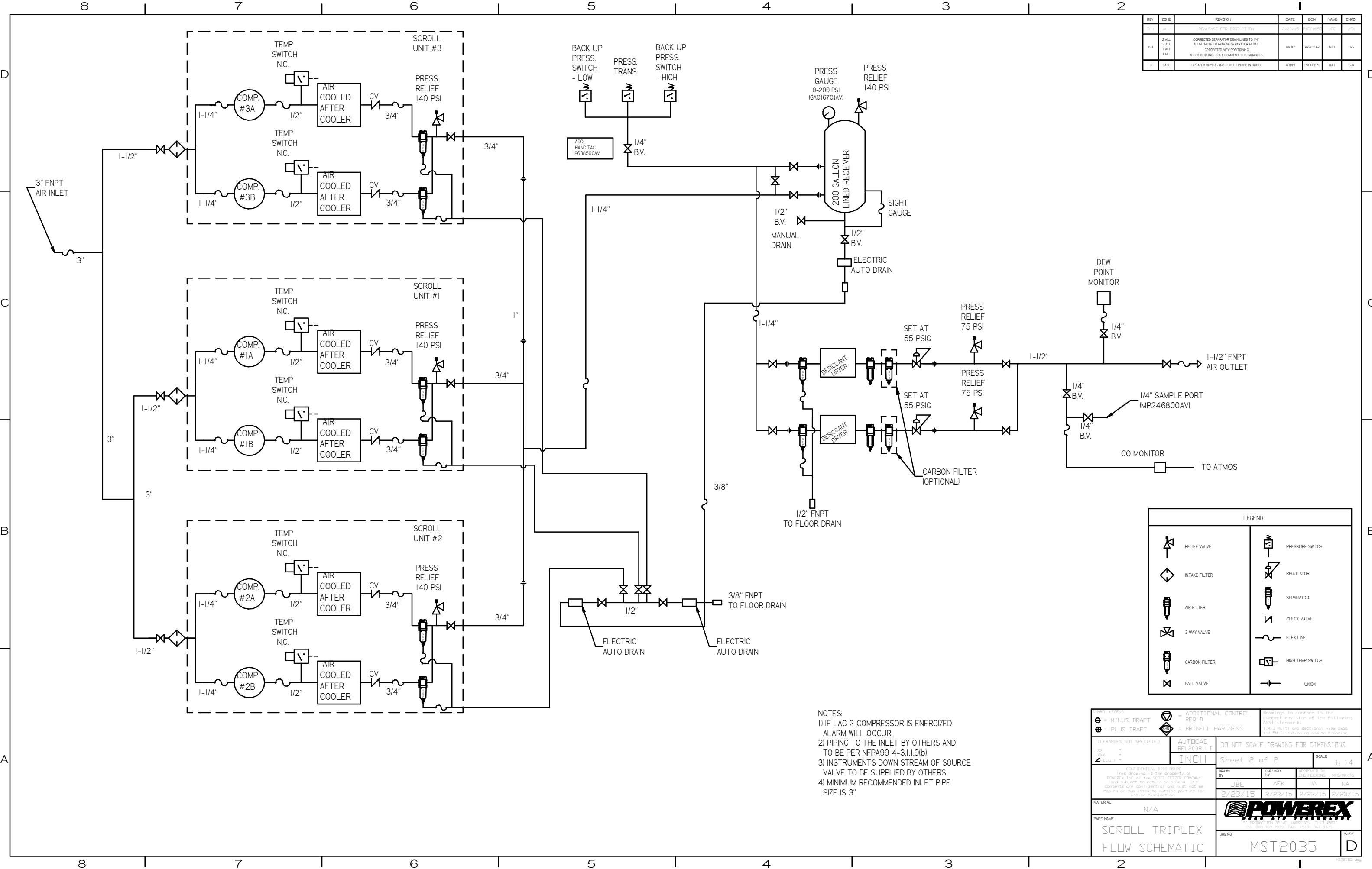
200 GALLON ASME
AIR RECEIVER
INTERNALLY LINED



NOTE: SYSTEM DESIGNED IN
COMPLIANCE WITH US NFPA'99,
LATEST EDITION.

DRIBBLE LEGEND		AUTOCAD		DO NOT SCALE DRAWING FOR DIMENSIONS			
⊖	= MINUS DRAFT	REL2008	LT	Sheet 1 of 2			
⊕	= PLUS DRAFT	INCH		SCALE 1:14			
⊗	= ADDITIONAL CONTROL REQ'D	DRAWINGS TO CONFORM TO THE CURRENT REVISION OF THE FOLLOWING ASME STANDARDS:					
⊘	= BRINELL HARDNESS	Y14.3 Multi and sectional view docs					
TOLERANCES NOT SPECIFIED				Y14.9 Dimensioning and tolerancing			
CONFIDENTIAL DISCLOSURE							
This drawing is the property of POWEREX, Inc. of the SCOTT FETZER COMPANY and is subject to return on demand. Its contents are confidential and must not be copied or submitted to outside parties for sale or reproduction.							
MATERIAL							
PART NAME							
MED SCROLL TRIPLEX							
20HP 200GAL							
DWG NO							
MST20B5							
SIZE							
D							

REV	ZONE	REVISION	DATE	ECN	NAME	CHKD
1	ALL	RELEASE FROM PROJECT 101	1/23/15		JBE	AK
2	ALL	CORRECTED SEPARATOR DRAIN LINES TO 1/4"				
2	ALL	ADDED NOTE TO REMOVE SEPARATOR FLOAT				
1	ALL	CORRECTED NEW POSITIONING	1/16/17		PREC0167	MJD
1	ALL	ADDED OUTLINE FOR RECOMMENDED CLEARANCES				
1	ALL	UPDATED DRIVERS AND OUTLET PIPING IN BUILD	4/18/19		PREC0273	RAH
						SA



	RELIEF VALVE		PRESSURE SWITCH
	INTAKE FILTER		REGULATOR
	AIR FILTER		SEPARATOR
	3 WAY VALVE		CHECK VALVE
	CARBON FILTER		FLEX LINE
	BALL VALVE		HIGH TEMP SWITCH
			UNION

- NOTES:
- 1) IF LAG 2 COMPRESSOR IS ENERGIZED ALARM WILL OCCUR.
 - 2) PIPING TO THE INLET BY OTHERS AND TO BE PER NFPA99 4-3.1.1.9(b)
 - 3) INSTRUMENTS DOWN STREAM OF SOURCE VALVE TO BE SUPPLIED BY OTHERS.
 - 4) MINIMUM RECOMMENDED INLET PIPE SIZE IS 3"

TOLERANCES NOT SPECIFIED	AUTOCAD REL2008 L3	DO NOT SCALE DRAWING FOR DIMENSIONS												
XX ±	INCH	Sheet 2 of 2												
XXX ±		SCALE 1:14												
2 DEC. ±														
<small>CONFIDENTIAL DISCLOSURE: This drawing is the property of POWEREX INC. of the SCOTT FETZER COMPANY and subject to return on demand. Its contents are confidential and must not be copied or submitted to outside parties for use or examination.</small>		<table border="1"> <tr> <th>DRWN BY</th> <th>CHECKED BY</th> <th>APPROVED BY</th> <th>DATE</th> </tr> <tr> <td>JBE</td> <td>AEK</td> <td>JA</td> <td>NA</td> </tr> <tr> <td>2/23/15</td> <td>2/23/15</td> <td>2/23/15</td> <td>2/23/15</td> </tr> </table>	DRWN BY	CHECKED BY	APPROVED BY	DATE	JBE	AEK	JA	NA	2/23/15	2/23/15	2/23/15	2/23/15
DRWN BY	CHECKED BY	APPROVED BY	DATE											
JBE	AEK	JA	NA											
2/23/15	2/23/15	2/23/15	2/23/15											
MATERIAL: N/A														
PART NAME: SCROLL TRIPLEX FLOW SCHEMATIC														
DWG NO: MST20B5		SIZE: D												