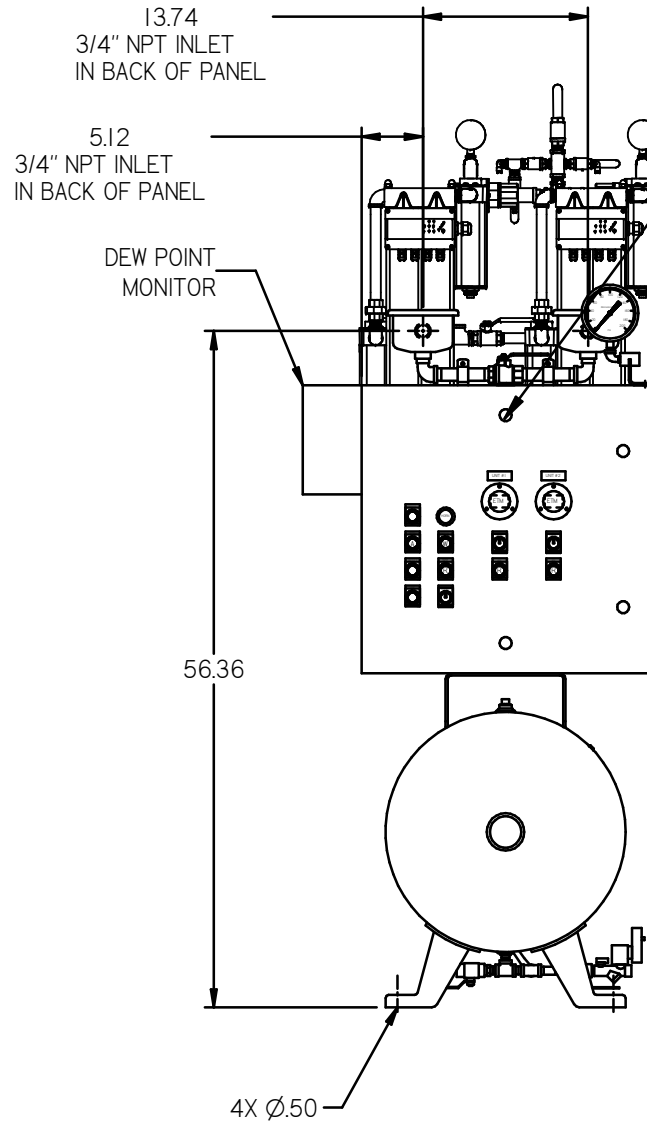
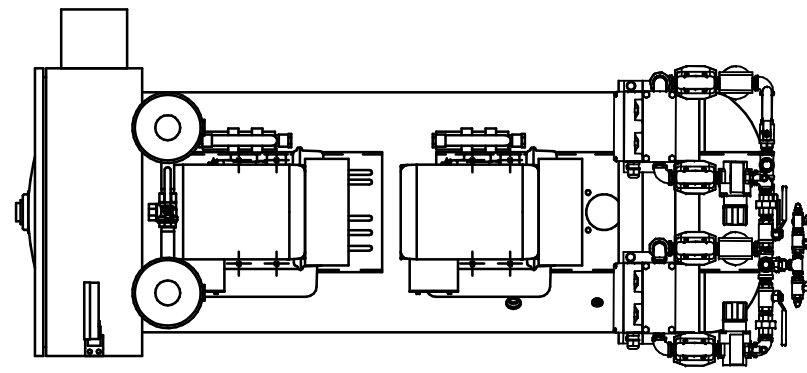
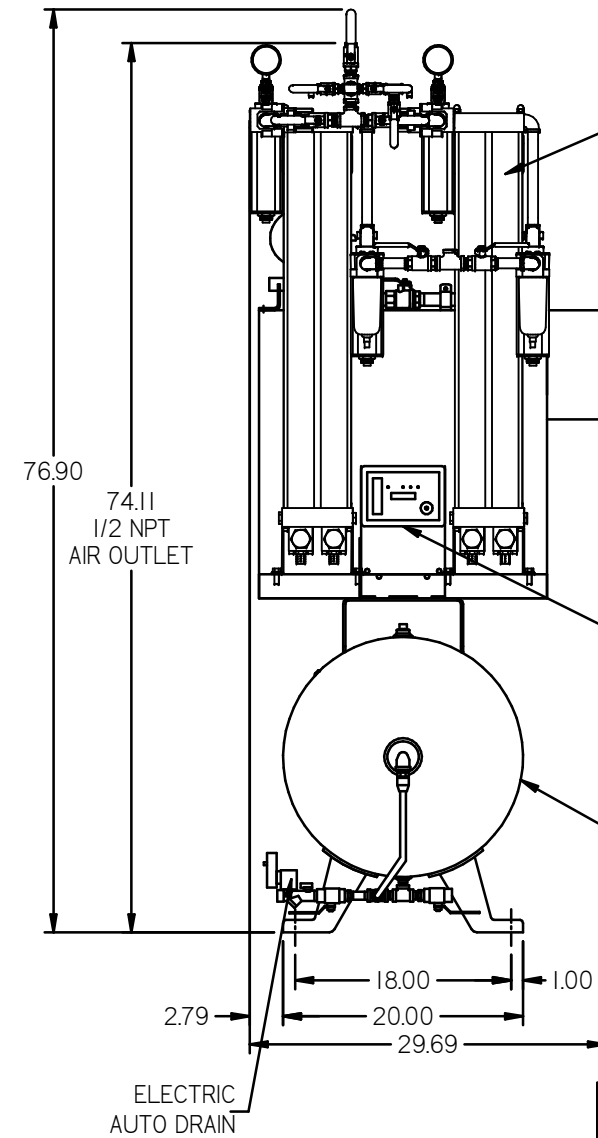
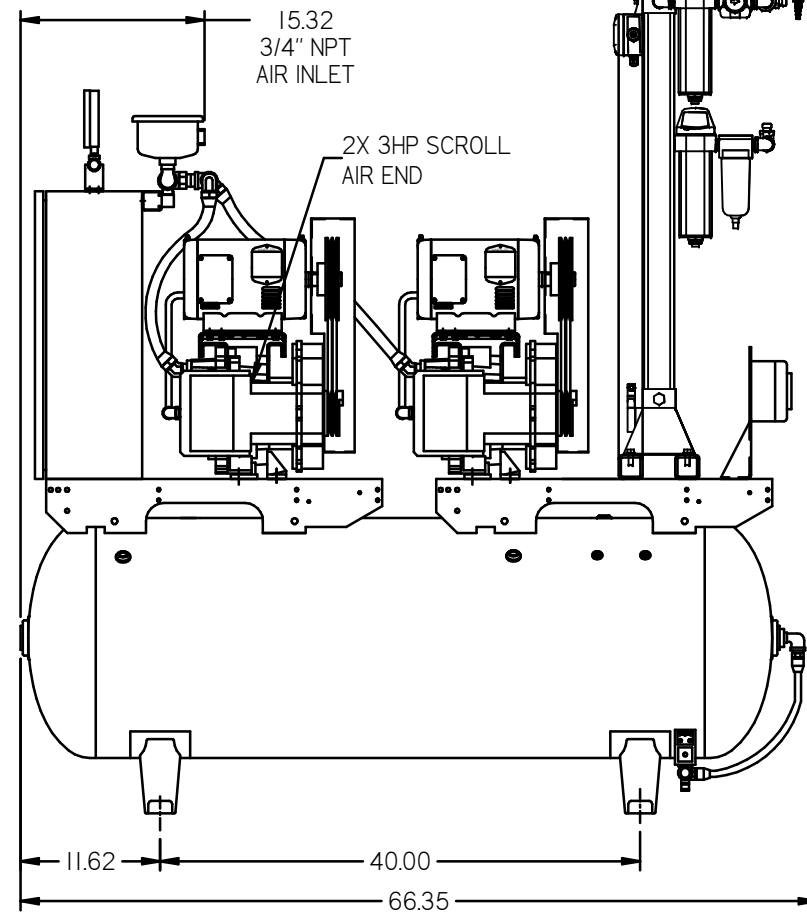


REV	ZONE	REVISION	DATE	ECN	NAME	QWD
B-1	ALL	RELEASE TO PRODUCTION	08/15/06	01550	RSN	DMS
C-1	C-3	ADDED MANUAL DRAIN	07/31/07	21689	DMS	GES
C-2	D6-B3	REPLACED BY VALVES WITH BALL VALVES ADDED 1/2" 75 PSI SPR	12/07/07	21689	DMS	GES
C-3	04-05	ADDED ISO VALVE & HANG TAG ADDED TANK GAUGE	07/02/08	21907	DMS	GES
D-1	ALL	UPDATED DEW POINT MONITOR & ADDED SEPARATOR NOTE	6/16/09	22127	AEK	GES
E-1	ALL	UPDATED TO POWEREX DRYER	11/10/09	22120	AEK	GES
E-2	1 ALL	UPDATED DRYER TO CURRENT BUILD	11/24/09	22120	AEK	GES
F-1	ALL	ADDED P&ID SHEETS	12/19/11	22659	AEK	GES
G-1	1 ALL	REMOVED DISCONNECT FROM PANEL, PAIR OF STANDARD PANEL	6/13/12	22752	AEK	GES
H-1	2 ALL	ADDED/UPDATED FLEX LINES	10/18/12	PXC0003	AEK	DMS
H-2	1 ALL	REMOVED CO MONITOR FROM THE CONTROL PANEL ADDED SIGHT GAUGE	11/21/13	PXC0010	AEK	GES
J-1	2 CA	MOVED PRESSURE SENSING LOCATION	5/21/14	PXC0071	AEK	GES
K-1	2 BSCS	CHANGED FLEX LINES TO 3/4"	8/13/15	PXC0093	AEK	GES
L-1	ALL	ADDED TOP VIEW	10/22/15	PXC0093	AEK	GES
M	ALL	CHANGED TO TRODIT DRYERS, UPDATED TO TEAM CENTER	8/30/19	PXC0291	GES	MMH



BASIC CONTROL  
PANEL  
PSM213 SERIES



2X DESICCANT DRYERS  
W/ PRE-FILTERS & AFTER-FILTERS.  
CARBON FILTERS ARE OPTIONAL.

SEE 3D MODEL ID# 722982  
FOR PLUMBING DETAIL

CO MONITOR

80 GALLON ASME  
LINED TANK

NOTE: SYSTEM DESIGNED IN  
COMPLIANCE WITH U.S. NFPA '99,  
LATEST EDITION.

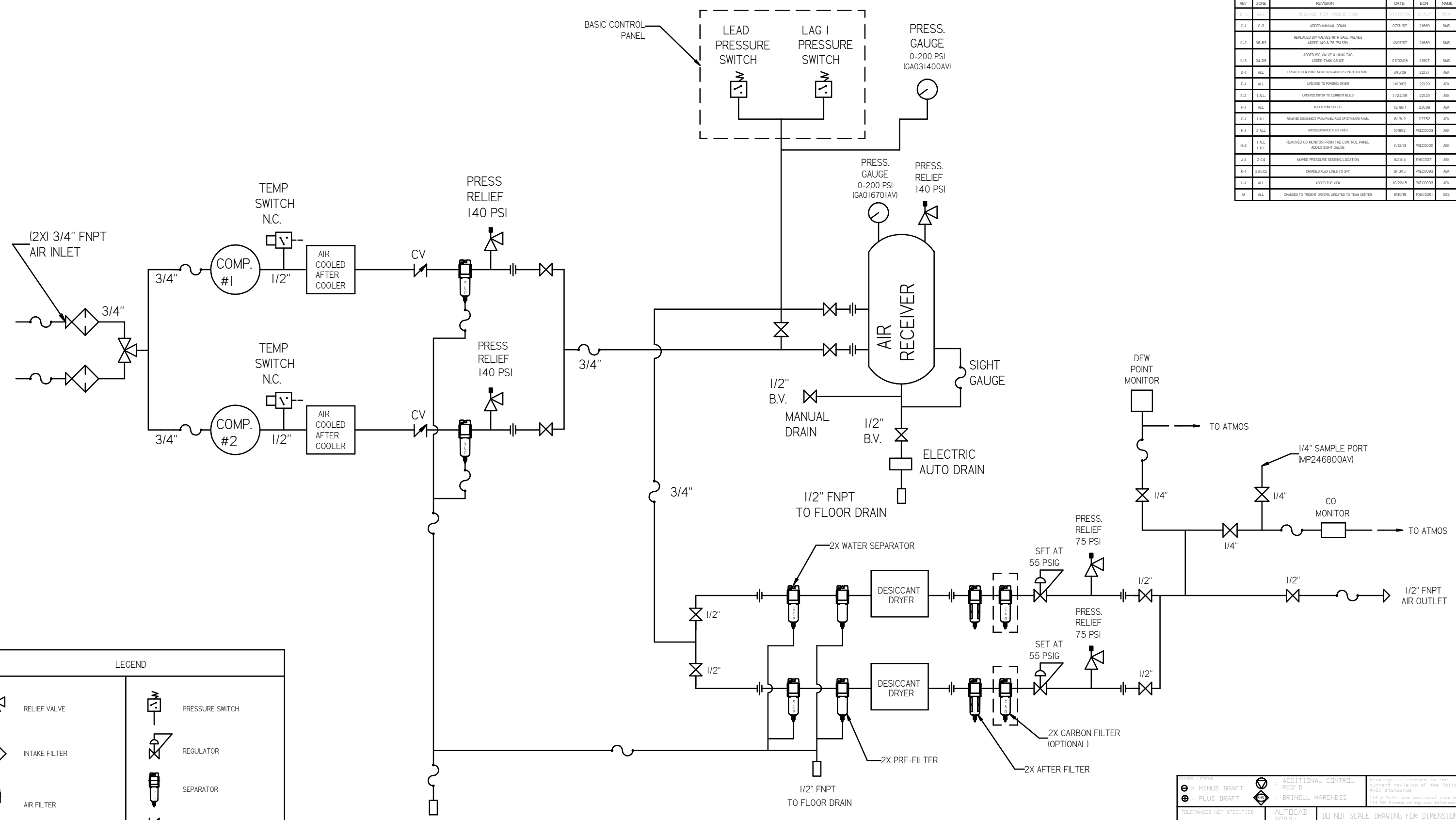
NOTE: A MINIMUM OF 24" CLEARANCE IS  
RECOMMENDED AROUND THE ENTIRE UNIT.

NOTE: TANK PLUMBING NOT SHOWN  
FOR DRAWING CLARITY.

MINUS DRAFT PLUS DRAFT TOLERANCES NOT SPECIFIED XX ± XXX ± 4 DEC 1.3	ADDITIONAL CONTROL RED'D BRINELL HARDNESS	Drawings to conform to the current revision of the following ANSI standards: Y14.3 Multi and sectional view dsgs. Y14.9 Dimensioning and tolerancing
AUTOCAD REL2000 INCH	DO NOT SCALE DRAWING FOR DIMENSIONS	Sheet 1 of 2 SCALE 1:8
CONFIDENTIAL DISCLOSURE This drawing is the property of the CAMPBELL GROUP of the SCOTT FETZER COMPANY and subject to return on demand. Its contents are confidential and must not be copied or submitted to outside parties for use or examination.	DRAWN BY RSN	CHECKED BY DMS
MATERIAL N/A	PART NAME DUPLEX OILLESS SCROLL 3HP, 80 GALLON WITH DRYER	PROVIDED BY DMS JJ 05/31/06 7/07/06 7/07/06 7/07/06
DWG NO MTSD0303		SIZE D



REV	ZONE	REVISION	DATE	ECN	NAME	CHKD
E-1	ALL	RELEASE FOR PRODUCTION	07/19/06	E1437	RSN	DMS
C-1	C-3	ADDED MANUAL DRAIN	07/30/07	21889	DMS	GES
E-2	D6-B3	REPLACED DIV VALVES WITH BALL VALVES ADDED 140 & 75 PSI SRV	12/07/07	21669	DMS	GES
C-3	D4-D5	ADDED ISO VALVE & HANG TAG ADDED TANK GAUGE	07/02/08	21907	DMS	GES
S-1	ALL	UPDATED DEW POINT MONITOR & ADDED SEPARATOR NOTE	04/05/08	22127	AEK	GES
E-4	ALL	UPDATED TO POWEREX ORDER	08/05/09	22120	AEK	GES
E-2	1 ALL	UPDATED ORDER TO CURRENT BUILD	11/24/09	22120	AEK	GES
F-1	ALL	ADDED P&ID SHEETS	12/09/11	22839	AEK	GES
S-1	1 ALL	REMOVED DISCONNECT FROM PANEL FACE OF STANDARD PANEL	04/30/12	22752	AEK	GES
W-1	2 ALL	ADDED P&ID PLUS LINES	10/08/12	PRECC003	AEK	DMS
W-2	1 ALL	REMOVED CO MONITOR FROM THE CONTROL PANEL ADDED SIGHT GAUGE	11/21/13	PRECC030	AEK	GES
J-1	2 C4	MOVED PRESSURE SENSING LOCATION	05/01/14	PRECC071	AEK	GES
W-1	1 ALL	CHANGED FLEX LINES TO 3/4"	08/13/15	PRECC093	AEK	GES
L-1	ALL	ADDED TOP VIEW	10/22/15	PRECC093	AEK	GES
M	ALL	CHANGED TO TREATMENT ORDER UPDATED TO TEAM CENTER	01/30/16	PRECC201	GES	MW

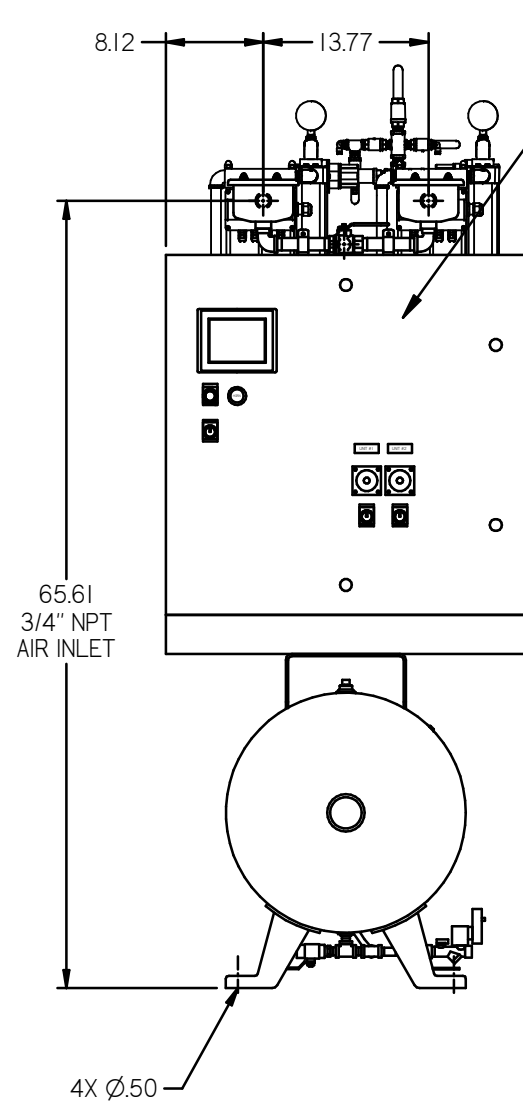
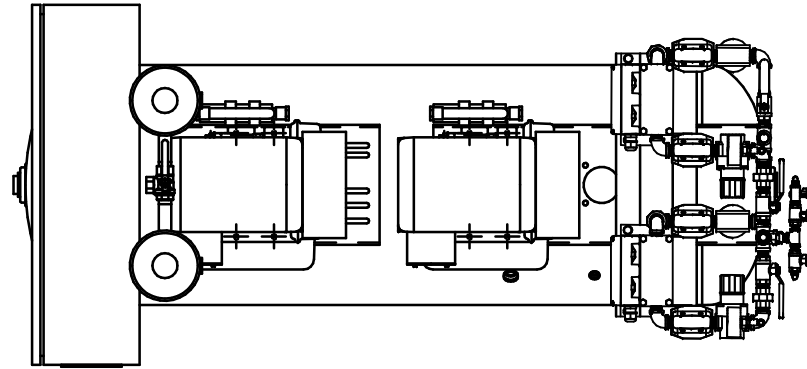


LEGEND	
	RELIEF VALVE
	INTAKE FILTER
	AIR FILTER
	3 WAY VALVE
	CARBON FILTER
	BALL VALVE
	PRESSURE SWITCH
	REGULATOR
	SEPARATOR
	CHECK VALVE
	FLEX LINE
	HIGH TEMP SWITCH
	UNION

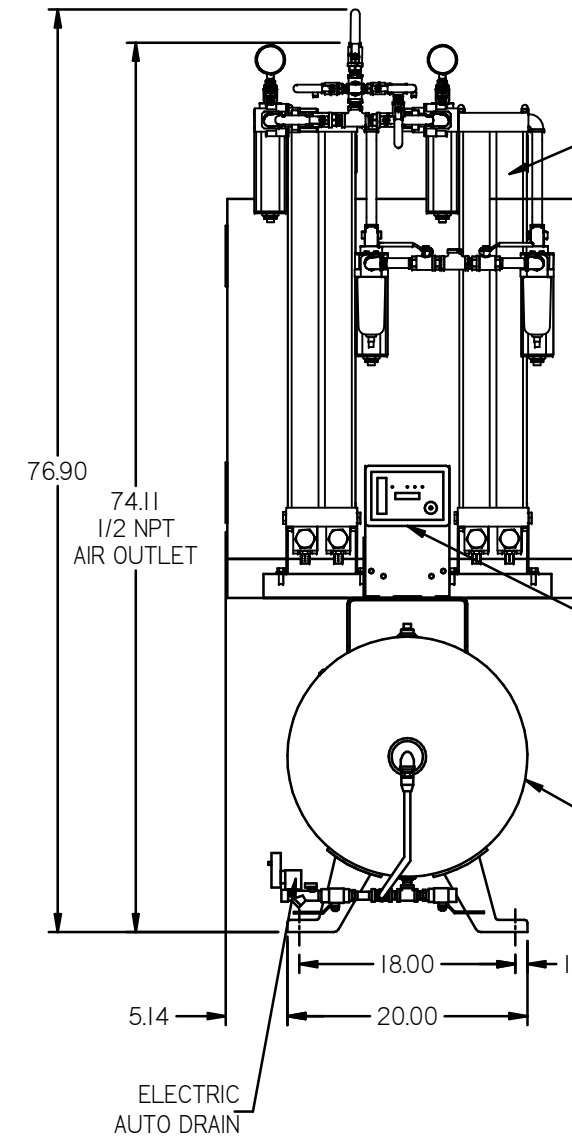
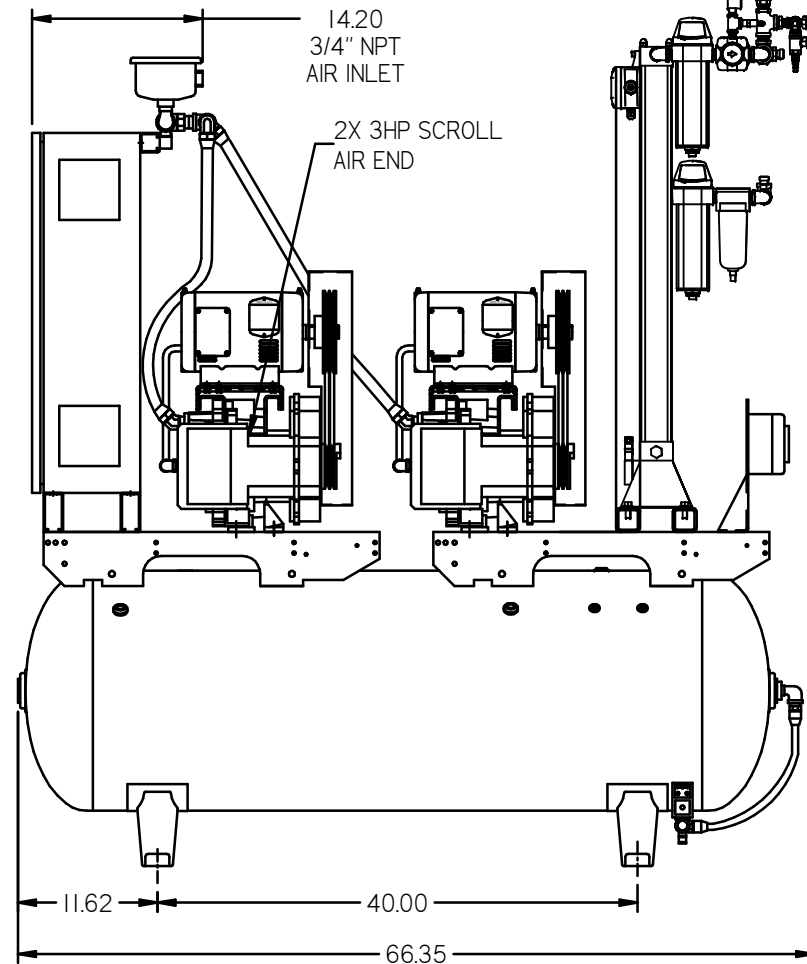
NOTES:  
 1) IF LAG I COMPRESSOR IS ENERGIZED ALARM WILL OCCUR.  
 2) PIPING TO THE INLET BY OTHERS AND TO BE PER NFPA99 4-3.1.1.9(b)  
 3) INSTRUMENTS DOWN STREAM OF SOURCE VALVE TO BE SUPPLIED BY OTHERS.

MINUS DRAFT PLUS DRAFT	ADDITIONAL CONTROL RED 'D' BRINELL HARDNESS	Drawings to conform to the current revision of the following ANSI standards: 1:4 2 Multi and sectional view depth 1:4 SM Dimensioning and tolerancing
DIMENSIONS NOT SPECIFIED XXX REG 1 3	AUTOCAD 2000 INCH	DO NOT SCALE DRAWING FOR DIMENSIONS Sheet 2 of 2 SCALE 1:8
CONFIDENTIAL DISCLOSURE This drawing is the property of the POWEREX GROUP of the SPECTRUM ENERGY COMPANY and subject to return on demand. Its contents are confidential and must not be copied or submitted to outside parties. For more information, contact your account manager.		DRAWN BY: RSN CHECKED BY: DMS APPROVED BY: DMS, JJ 07/19/06 10/09/06 10/09/06 10/09/06
MATERIAL: N/A/ PART NAME: DUPLEX SCROLL FLOW SCHEMATIC		 100 INDUSTRIAL DRIVE, WASHINGTON, DC 20004 PH: 888-765-7979 FAX: (513) 387-3125
DWG NO: MTSD0303		SIZE: D

REV	DATE	DESCRIPTION	BY	CHKD
1-1	12/19/11	ADDED PBM1 SHEETS	AEK	GES
2-1	01/31/12	REMOVED DISCONNECT FROM PANEL FACE OF FRESH AIR PANEL	AEK	GES
3-1	10/01/12	ADJUSTED FLEX LINES	AEK	DMS
4-1	11/21/13	REMOVED CO MONITOR FROM THE CONTROL PANEL ADDED SIGHT GAUGE	AEK	GES
5-1	02/04/14	MOVED PRESSURE SENSING LOCATION	AEK	GES
6-1	01/31/15	CHANGED FLEX LINES TO 3/4"	AEK	GES
7-1	10/22/15	ADDED TOP VIEW	AEK	GES
8	01/30/16	CHANGED TO TRENCH DRIVES UPDATED TO TEAM CENTER	AEK	MAT



PREMIUM CONTROL  
PANEL  
PBMIA216 SERIES



2X DESICCANT DRYERS  
W/ PRE-FILTERS & AFTER-FILTERS.  
CARBON FILTERS ARE OPTIONAL.  
  
SEE 3D MODEL ID# 722982  
FOR PLUMBING DETAIL

NOTE: SYSTEM DESIGNED IN  
COMPLIANCE WITH U.S. NFPA '99,  
LATEST EDITION.

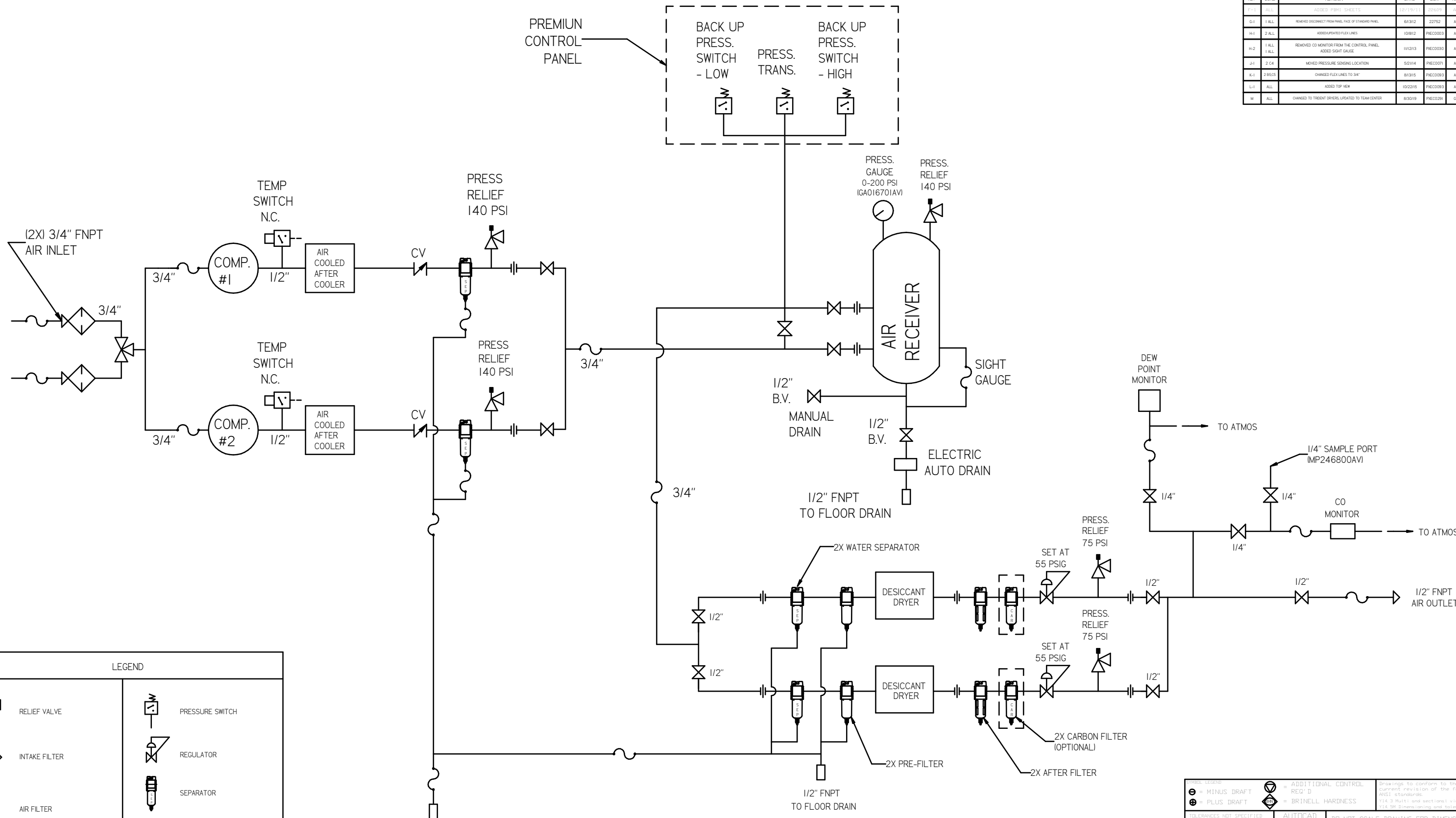
NOTE: A MINIMUM OF 24" CLEARANCE IS  
RECOMMENDED AROUND THE ENTIRE UNIT.

NOTE: TANK PLUMBING NOT SHOWN  
FOR DRAWING CLARITY.

MINUS DRAFT PLUS DRAFT TOLERANCES NOT SPECIFIED XX YY ZZ REG. 3-5	AUTOCAD REL2008 LT INCH	NO NOT SCALE DRAWING FOR DIMENSIONS Sheet 1 of 2 SCALE 1:8	ADDITIONAL CONTROL REQ'D BRINELL HARDNESS
CONFIDENTIAL DISCLOSURE This drawing is the property of the CAMPBELL GROUP of the SCOTT FETZER COMPANY and subject to patent or demand. Its contents are confidential and must not be copied or submitted to outside parties for use or information.		DRAWN BY AEK	CHECKED BY GES
MATERIAL N/A		APPROVED BY DMS	DATE 12/19/11
PART NAME DUPLEX DILLESS SCROLL 3HP, 80 GALLON WITH DRYER		DATE 12/19/11	DATE 12/19/11
DWG NO MTSD0303		SIZE D	



REV	ZONE	REVISION	DATE	ECN	NAME	CHKD
01-1	ALL	ADDED P&ID SHEETS	12/19/11	103609	AEK	GES
04	1 ALL	REMOVED DISCONNECT FROM PANEL FACE OF STANDBY PANEL	01/31/12	22752	AEK	GES
04-1	2 ALL	ADDED SUPPORT FLEX LINES	10/01/12	PRE02003	AEK	DMS
04-2	1 ALL	REMOVED CO MONITOR FROM THE CONTROL PANEL ADDED SIGHT GAUGE	11/02/13	PRE02050	AEK	GES
04-1	2 CO	MOVED PRESSURE SENSING LOCATION	02/04/14	PRE02071	AEK	GES
04-1	2 8565	CHANGED FLEX LINES TO 3/4"	01/31/15	PRE02093	AEK	GES
04-1	ALL	ADDED TOP VIEW	10/22/16	PRE02093	AEK	GES
M	ALL	CHANGED TO PREVENT DRYER, UPDATED TO TEAM CENTER	03/01/19	PRE02291	GES	MNH



LEGEND	
	RELIEF VALVE
	INTAKE FILTER
	AIR FILTER
	3 WAY VALVE
	CARBON FILTER
	BALL VALVE
	PRESSURE SWITCH
	REGULATOR
	SEPARATOR
	CHECK VALVE
	FLEX LINE
	HIGH TEMP SWITCH
	UNION

NOTES:  
 1) IF LAG 1 COMPRESSOR IS ENERGIZED ALARM WILL OCCUR.  
 2) PIPING TO THE INLET BY OTHERS AND TO BE PER NFPA99 4-3.1.1.9(b)  
 3) INSTRUMENTS DOWN STREAM OF SOURCE VALVE TO BE SUPPLIED BY OTHERS.

TOLERANCES NOT SPECIFIED XX ± XXX ± XXX ±	AUTOCAD REL2008 LT INCH	DO NOT SCALE DRAWING FOR DIMENSIONS Sheet 2 of 2 SCALE 1:8
CONFIDENTIAL DISCLOSURE This drawing is the property of the CAMPBELL GROUP of the SCOTT FETZER COMPANY and subject to return on demand. Its contents are confidential and must not be copied or submitted to outside parties for use or disclosure.		Drawings to conform to the current revision of the following ANSI standards: Y14.3 Multi and sectional view dsgs. Y14.9 Dimensioning and tolerancing
MATERIAL: N/A		DRAWN BY: AEK CHECKED BY: GES APPROVED BY: DMS, RJR 12/19/11 12/19/11 12/19/11 12/19/11
PART NAME: DUPLEX SCROLL FLOW SCHEMATIC		DWG NO: MTSD0303 SIZE: D

