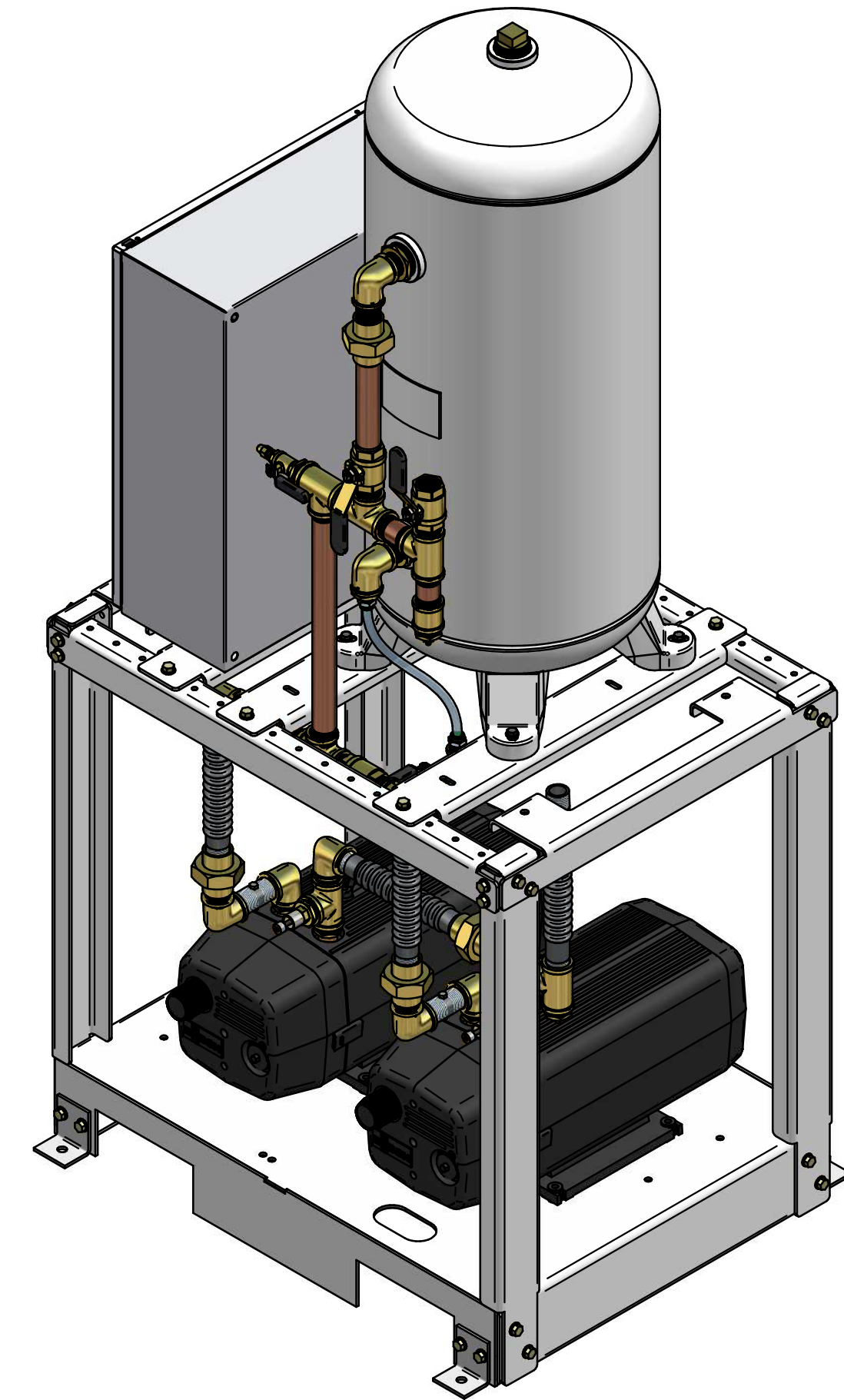
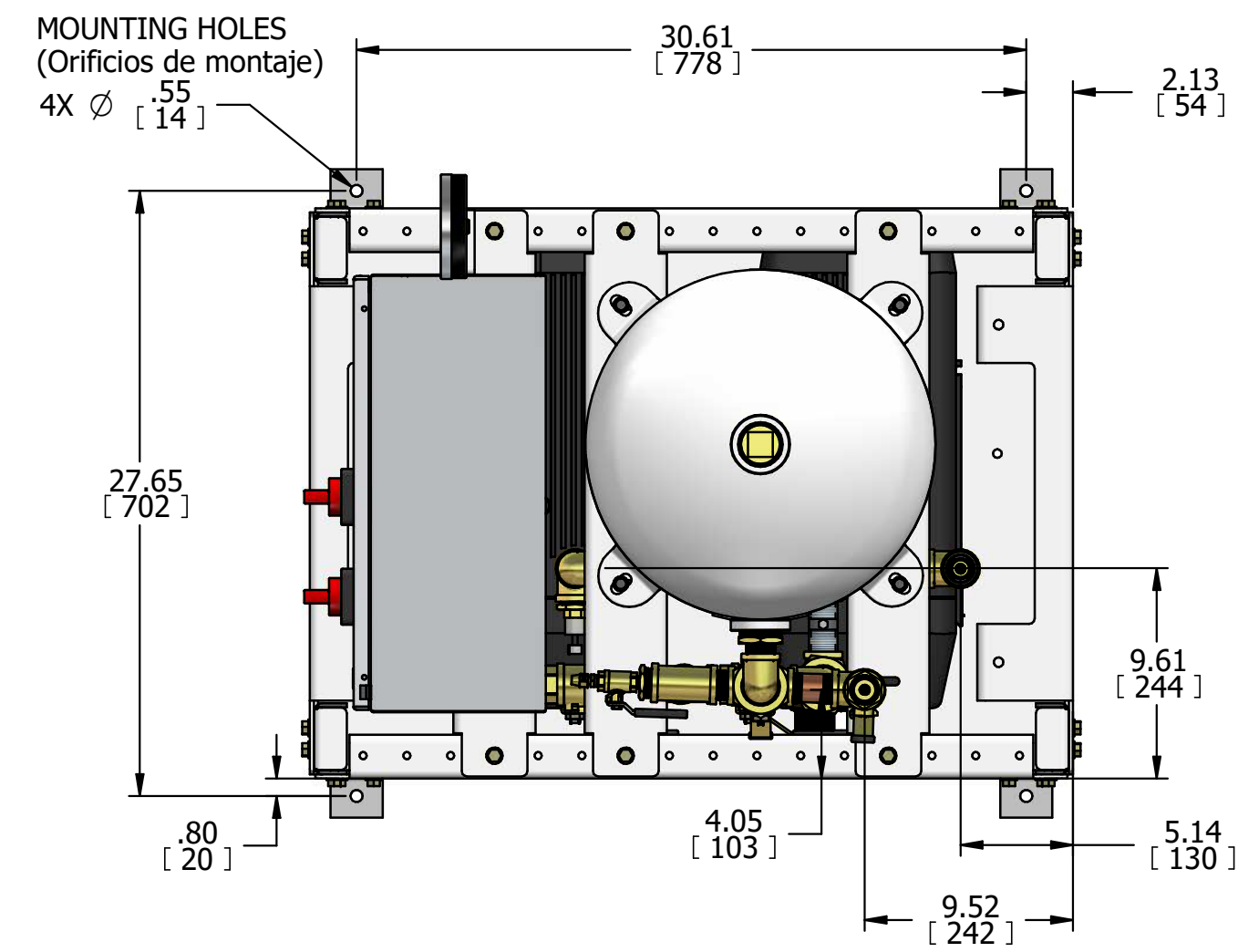


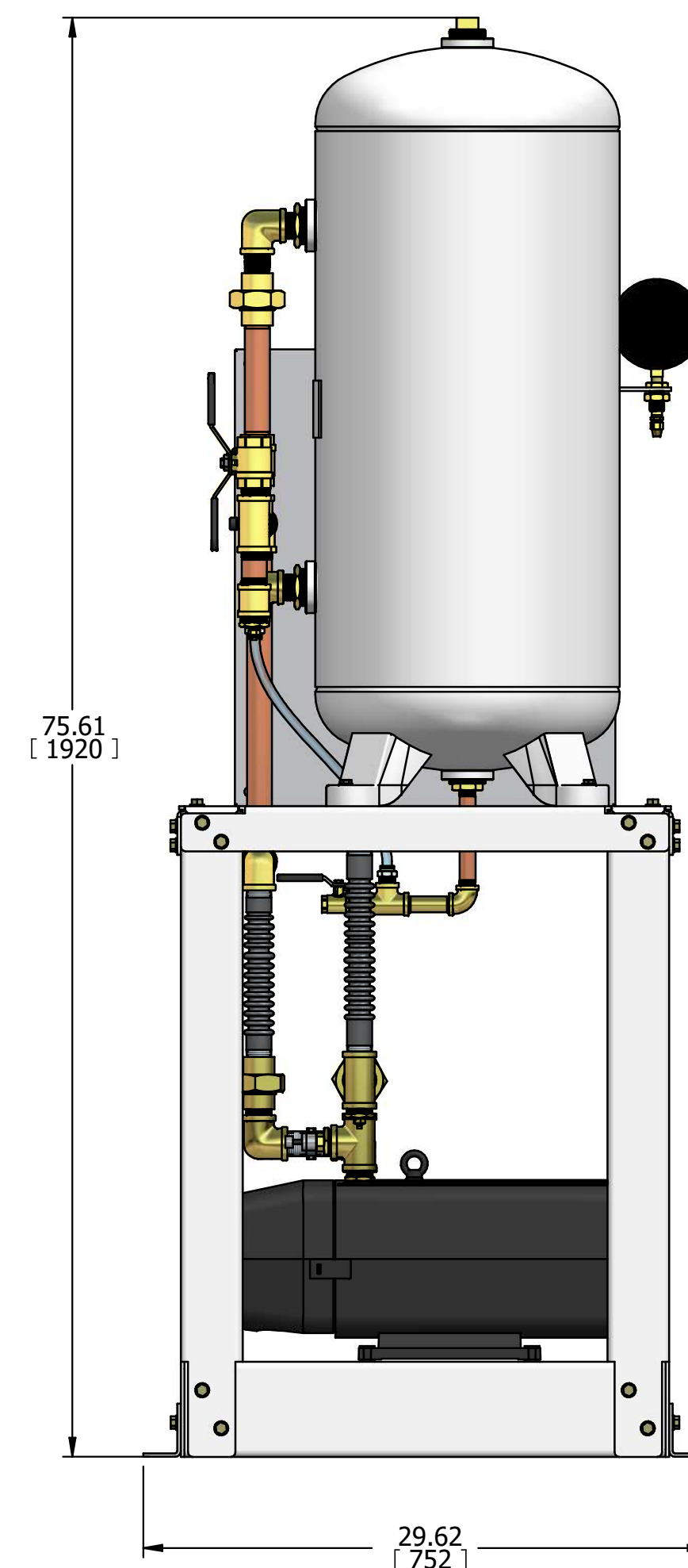
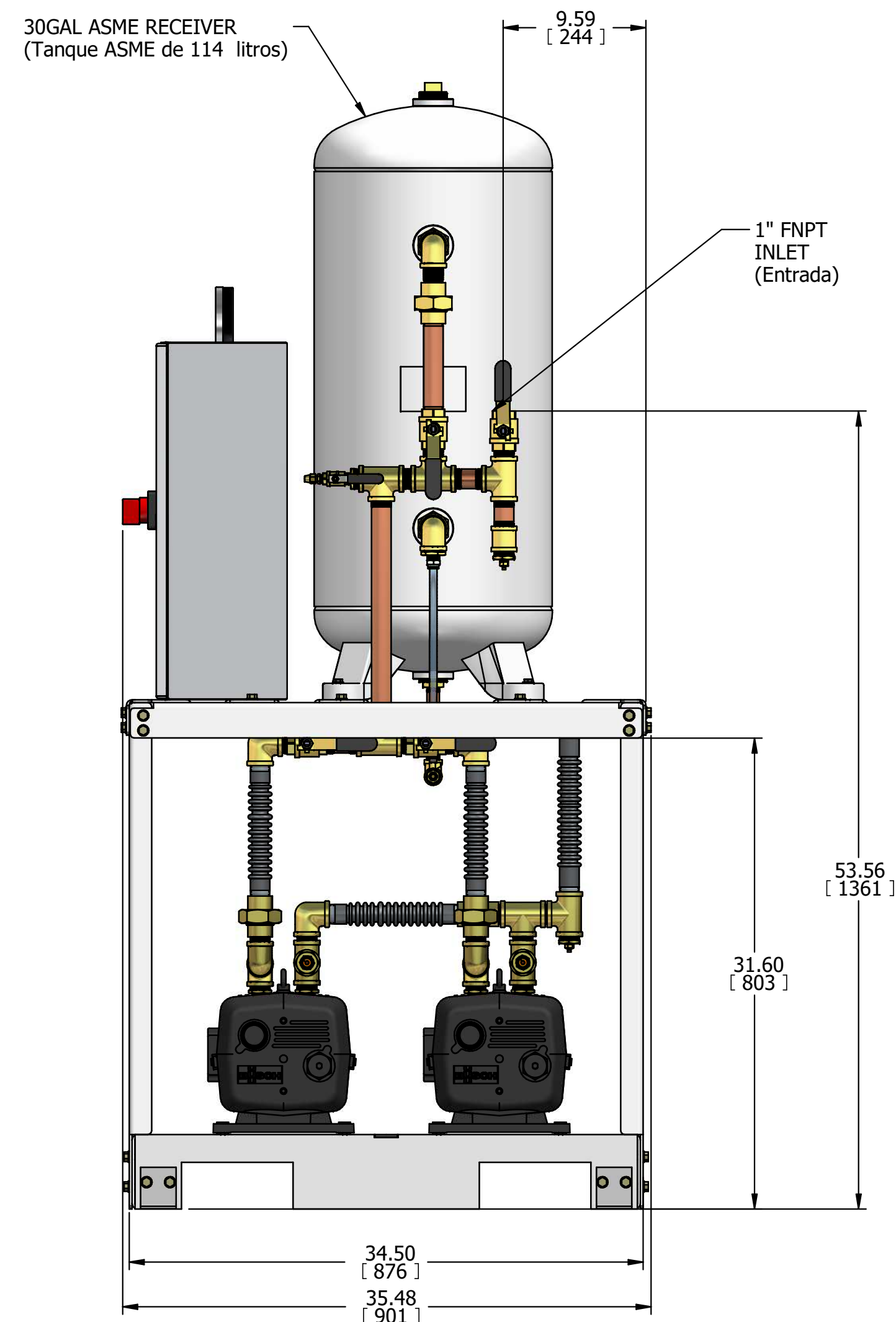
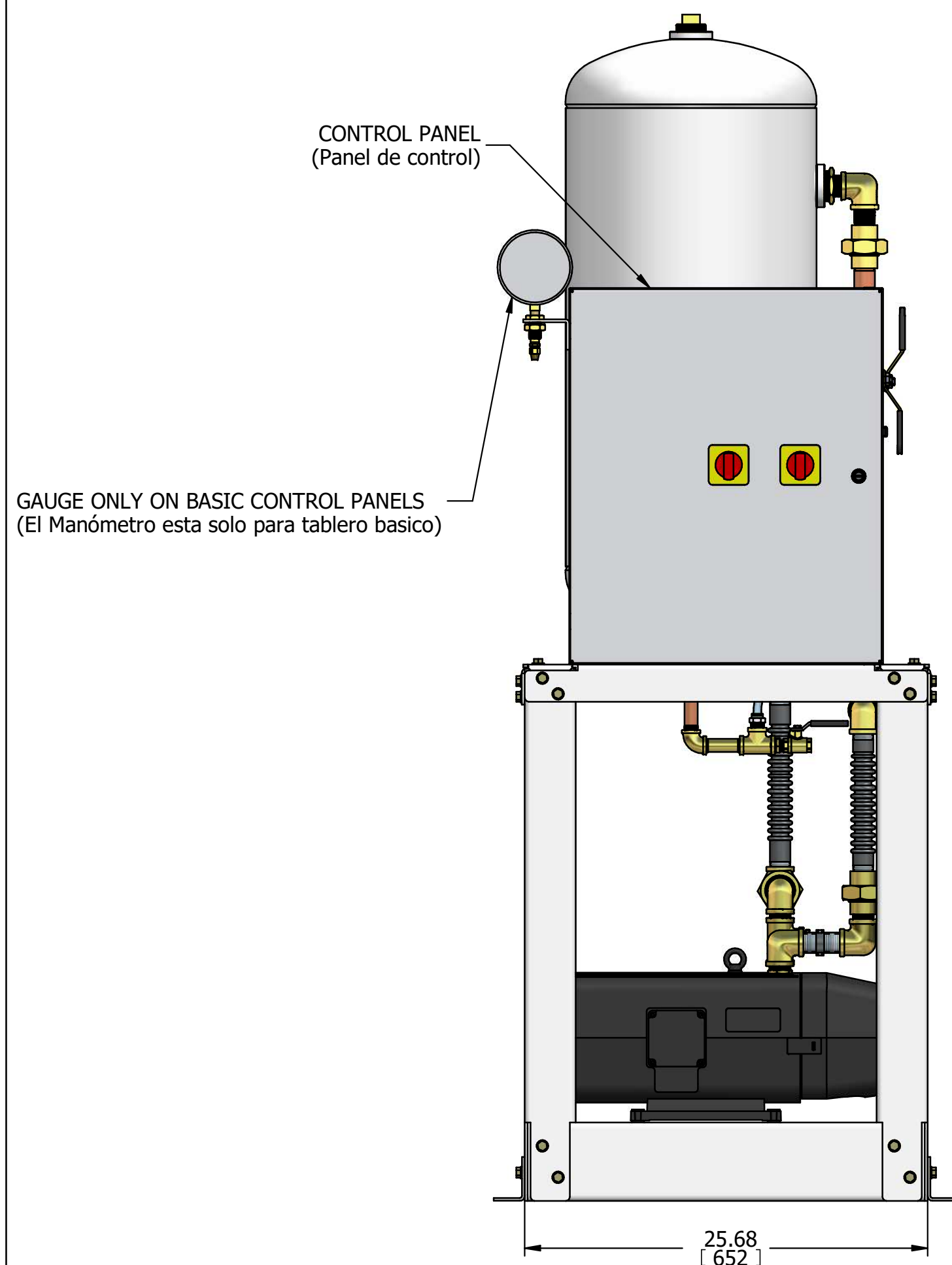
WVOTD0201XX

2HP OIL LESS VANE TANK OVER ASSEMBLY

REVISION NOTES		
DESCRIPTION	ECN	PR/NOR
UPDATED FLOW DIAGRAM	PXECO388	N/A



POWEREX™



- NOTES:
1. APPROXIMATE WEIGHT: 491 lbm
 2. A MINIMUM OF 24" CLEARANCE IS RECOMMENDED AROUND THE ENTIRE UNIT. CLEARANCE FOR CONTROL PANEL SHALL BE IN ACCORDANCE WITH OSHA/NEC REQUIREMENTS.
 3. SYSTEM DESIGNED IN COMPLIANCE WITH U.S. NFPA '99, LATEST EDITION.
1. PESO APROXIMADO: 223 kg
 2. RECOMENDAMOS QUE EL ESPACIO LIBRE ALREDEDOR DEL SISTEMA DEBE SER COMO MÍNIMO 24" (600 mm). EL ESPACIO LIBRE PARA EL TABLERO DE CONTROL DEBERÁ ESTAR DE ACUERDO CON LOS REQUERIMIENTOS DE SEGURIDAD DE LA OSHA/NEC.
 3. EL SISTEMA ESTÁ DISEÑADO DE ACUERDO CON LA ÚLTIMA EDICIÓN DE LA NFPA 99.

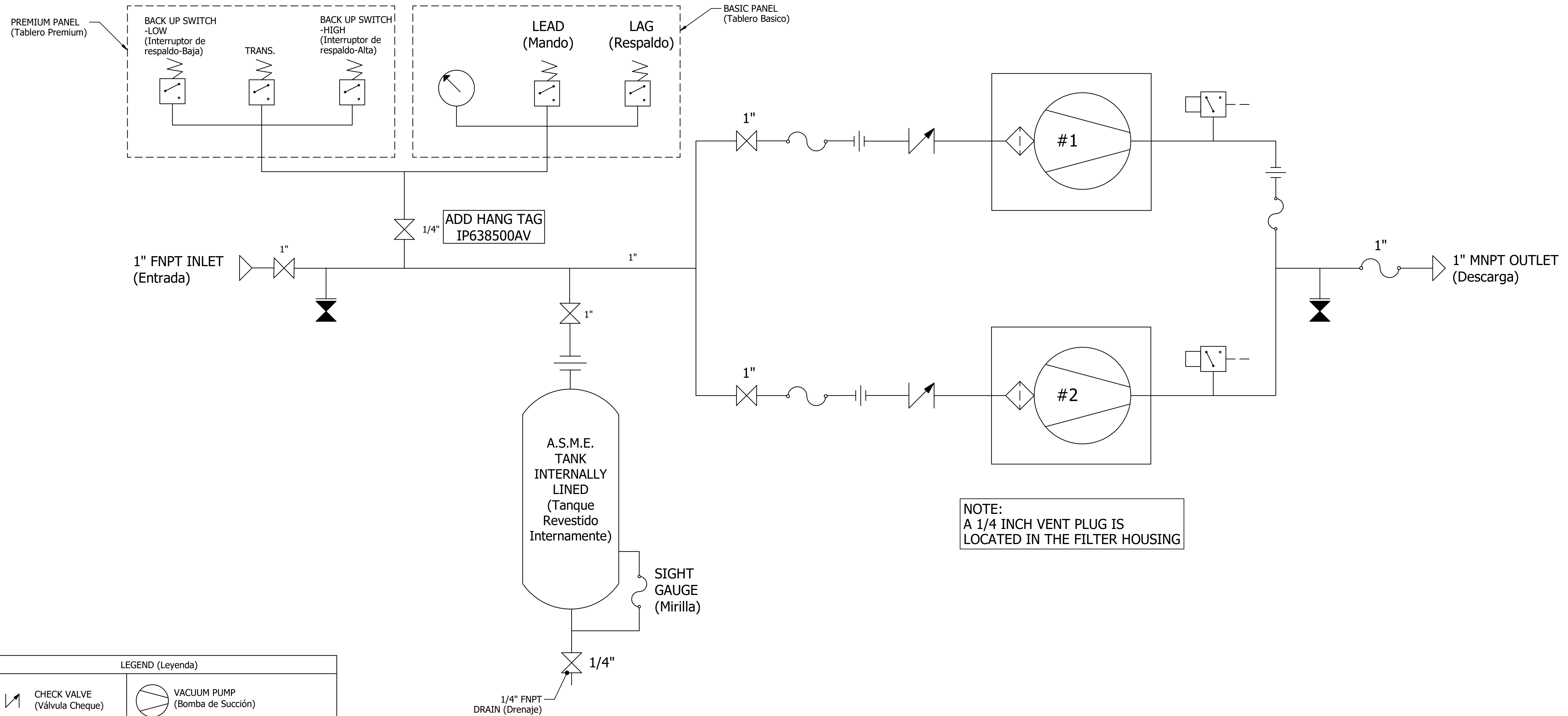
SYMBOL LEGEND		DRAWINGS TO CONFORM TO CURRENT REVISION OF THE FOLLOWING AISC STANDARDS: #14.1 MULTI AND SECTIONAL DWGS #14.5 DIMENSIONING AND TOLERANCING	
TOLERANCES, UNLESS OTHERWISE SPECIFIED	SOLID EDGE DRAWING	DO NOT SCALE DRAWING FOR DIMENSIONS	
0.XXX ± .005	INCH [mm]	SHEET 1 OF 2	SCALE 1:8
0.000 ± .005			
CONFIDENTIAL DISCLOSURE This drawing is the property of POWEREX of the SCOTT FEZTER COMPANY and is subject to return on demand. Its contents are confidential and must not be copied or submitted to outside parties for use or examination.		AUTHOR	REVISION DATE
		DWright	6/29/2021
ITEM NO: 729870		POWEREX 150 PRODUCTION DRIVE, HARRISON OH 45030 (888) 769-7929	
MATERIAL: N/S			
DESCRIPTION	DRAWING NUMBER	REVISION	SIZE
2HP OIL LESS VANE TANK OVER ASSEMBLY	WVOTD0201XX	C	D

WVOTD0201XX

2HP OIL LESS VANE TANK OVER ASSEMBLY

REVISION NOTES		
DESCRIPTION	ECN	PR/NOR
UPDATED FLOW DIAGRAM	PXEC0388	N/A

POWEREX™



NOTE:
A 1/4 INCH VENT PLUG IS
LOCATED IN THE FILTER HOUSING

LEGEND (Leyenda)

	CHECK VALVE (Válvula Cheque)		VACUUM PUMP (Bomba de Succión)
	BALL VALVE (Válvula de Bola)		BUTTERFLY VALVE (Válvula de Mariposa)
	INTAKE FILTER (Filtro admisión)		FLEX HOSE (Manguera flexible)
	GAUGE (Manómetro)		TEMPERATURE SWITCH (Interruptor temperatura)
	UNION (Unión)		VACUUM SWITCH/TRANSDUCER (Interruptor/Transductor vacío)
	DRAIN COCK (Grifo de Drenaje)		SOLENOID VALVE (Válvula solenoide)
	AIR LINE (Tubería de Aire)		CONDENSATE LINE (Línea de Condensado)

NOTES:
1) PER NFPA THE SYSTEM WILL REQUIRE A SOURCE VALVE (SUPPLIED BY OTHERS)

SYMBOL LEGEND		DRAWINGS TO CONFORM TO CURRENT REVISION OF THE FOLLOWING ANSI STANDARDS:	
		Y14.3 MULTI AND SECTIONAL VIEW DWGS Y14.5 DIMENSIONING AND TOLERANCING	
TOLERANCES, UNLESS OTHERWISE SPECIFIED	SOLID EDGE DRAWING	DO NOT SCALE DRAWING FOR DIMENSIONS	
0.XXX ± 0.05			
0.XXX ± 0.005	INCH [mm]	SHEET 2 OF 2	SCALE 1:1
± 1			
CONFIDENTIAL DISCLOSURE This drawing is the property of POWEREX of the SCOTT FEZTER COMPANY and is subject to return on demand. Its contents are confidential and must not be copied or submitted to outside parties for use or examination.		AUTHOR DWright	REVISION DATE 6/29/2021
APPROVALS ON FILE IN PLM			
ITEM NO: 729870		POWEREX™	
MATERIAL: N/S		150 PRODUCTION DRIVE, HARRISON OH 45030 (888) 769-7979	
DESCRIPTION 2HP OIL LESS VANE TANK OVER ASSEMBLY	DRAWING NUMBER WVOTD0201XX	REVISION C	SIZE D