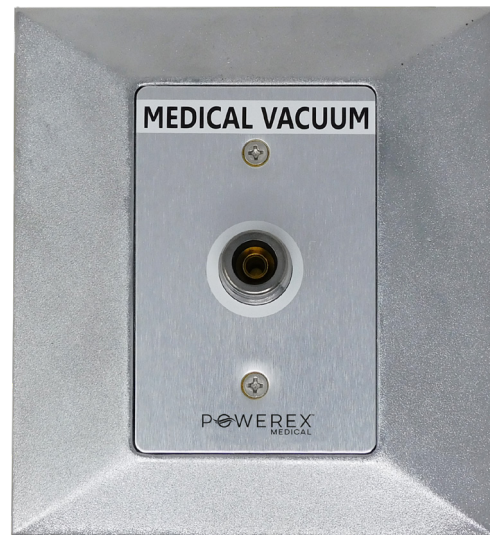




Medical Gas Outlets

Operating & Maintenance Manual

Please read and save these instructions. Read carefully before attempting to assemble, install, operate or maintain the product described. Protect yourself and others by observing all safety information. Failure to comply with instructions could result in personal injury and/or property damage! Retain instructions for future reference.



Safety Guidelines

This manual contains information that is very important to know and understand. This information is provided for SAFETY and to PREVENT EQUIPMENT PROBLEMS. To help recognize this information, observe the following symbols..

⚠ DANGER Danger indicates an imminently hazardous situation which, if not avoided, WILL result in death or serious injury.

⚠ WARNING Warning indicates a potentially hazardous situation which, if not avoided, COULD result in death or serious injury.

⚠ CAUTION Caution indicates a potentially hazardous situation which, if not avoided, MAY result in minor or moderate injury.

NOTICE Notice indicates important information, that if not followed, may cause damage to equipment.

NOTE: Note indicates information that requires special attention.

Description

The Powerex Medical Gas outlet is comprised of three main parts, a Latch Valve Assembly, a Rough-in Assembly, and a Trim Plate. The latch valve and rough-in assemblies are both gas specific, cleaned for oxygen use, and delivered in a sealed package. All assemblies shall be 100% tested for leaks, manufactured to comply with the latest edition of NFPA 99, and UL Listed.

Latch Valve Assembly

The latch valve assembly is available in four different connection styles: DISS, Ohmeda, Chemetron, and Puritan-Bennet. Each will accept only the same corresponding type adapters. Each latch valve assembly shall be color-coded for ease of gas identification per NFPA 99 standards. Latch valve assemblies shall have gas specific pin indexing corresponding to the rough-in assembly to prevent interchangeability of gas services and shall adjust up to 1" for variations in wall thickness. (Note: outlet extensions are available as an additional accessory to accommodate walls with 1.25 – 2" thicknesses, order part number OLET-EXTENSION.) Materials used in the latch valve assembly include: aluminum, zinc alloy, ABS plastic, steel/brass+plating, stainless steel, brass, neoprene, rubber.

Rough-in Assembly

The rough-in assembly shall include the rough-in plate (16 ga.) with inlet tubing silver brazed to the outlet body. Inlet tubing shall be type "K" copper, 1/2" (12.7 mm) OD, extend 6-1/2 inches (165 mm), and swivel 360° for ease of installation. Rough-in assembly shall accept only the specified gas service by use of indexes. Rough-in assembly shall be of modular design to permit on-site ganging of multiple outlets with assurance of accurate alignment and providing 5" centerline spacing. A dust plug and cover shall be provided to protect rough-in assembly from contamination during handling and installation at the job site. Materials used in rough-in assembly include: stainless steel, and ABS plastic. Rough-in assemblies shall accept any latch valve assembly of the same gas service. The latch valve assembly shall be interchangeable, allowing conversion from one connection style to another without shutting down the medical gas system. All positive pressure gas outlets shall have a primary and secondary

⚠ WARNING Do not use oil on adapters or outlets.

⚠ WARNING Be certain to shut off supply pressure to the outlet before performing service.

NOTE : Replace elastomer seals whenever outlets are disassembled.

check valve, where the secondary valve in the rough-in assembly allows servicing of the latch valve assembly without having to disrupt gas service to the outlet.

Trim Plate

The standard trim plate provided with the outlet shall be cast aluminum, powder coated chrome, and shall attach with the latch valve assembly to the rough-in assembly. An Alternate trim plate of cast aluminum, powder coated grey, shall be available upon request.

Cleaning & Maintenance

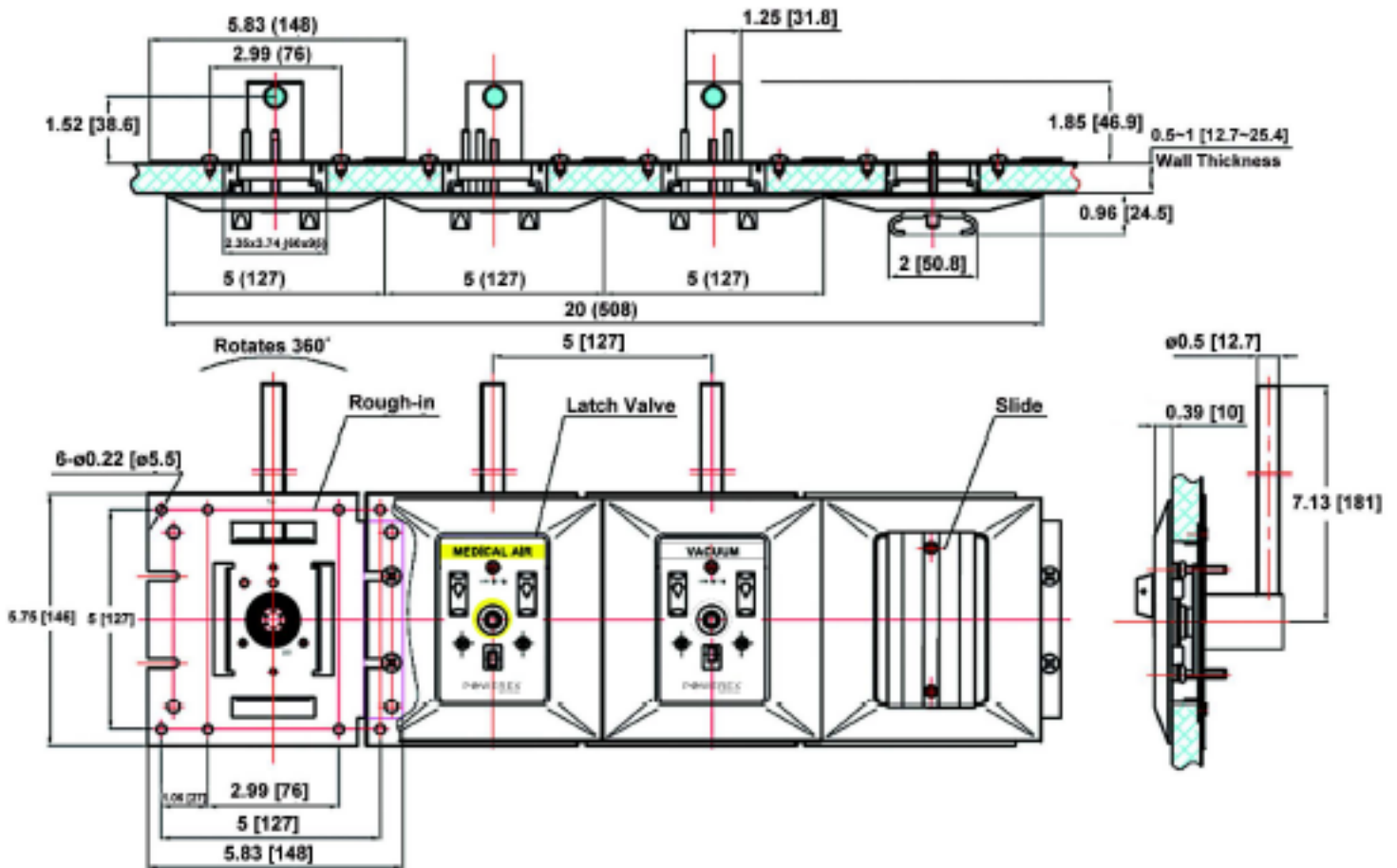
The outlets (rough-in and latch valve assemblies) are shipped from the factory cleaned for oxygen use, in individual sealed bags. The installed latch valve assembly and trim plate may be cleaned with a mild detergent or wiped with a disinfectant that is compatible with the powder coated wall trim plate, silk screened aluminum faceplate, and exposed ABS plastic surfaces. O-rings should be lubricated annually with a very small amount of oxygen-safe silicone lubricant. **DO NOT USE OIL OR PETROLEUM-BASED PRODUCTS AT ANY TIME ON ANY MEDICAL GAS OR VACUUM PRODUCTS.**

Use & Testing

When testing outlets, make sure there are no leaks, with and without the adapter inserted. Make sure that the outlet is properly latching on the adapter. If the latch mechanism will not properly latch, make sure that you are using the proper adapter by inspecting for the proper gas service and connection style. Old, worn, or damaged adapters may cause leaks, latch improperly, or create other unsafe conditions. Make sure your adapters are in good condition.

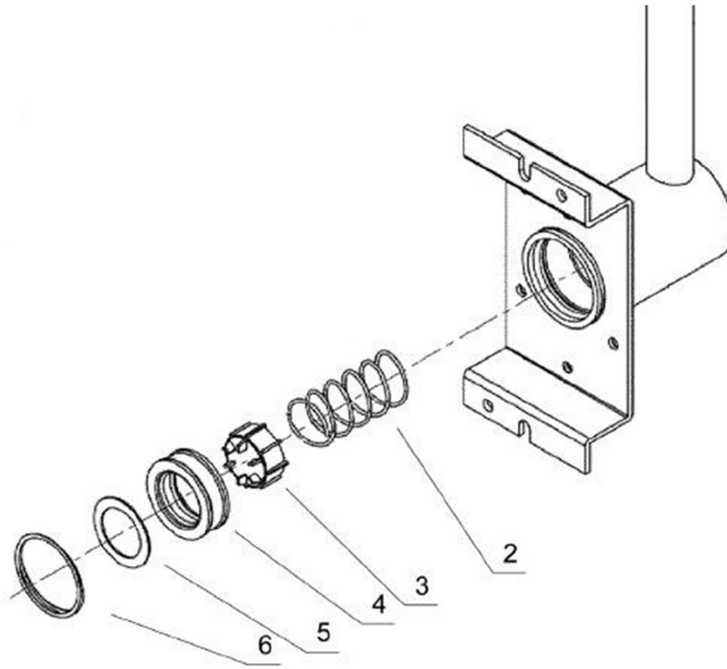
Outlets should be checked for proper latching and unlatching at each use. Flow rates and pressures should be checked periodically, at least once per year. Testing should be carried out in accordance with NFPA 99 "Health Care Facilities", CSA Z305.1-92 "Nonflammable Medical Gas Piping System" and state and local codes, by authorized personnel only.

Outlet Installation



1. When wall outlets are ganged together, ensure that they are 5" from center to center. Do not let the notches on the mounting plate pass the adjacent holes on the next mounting plate.
2. Maximum three outlets may be ganged together without additional support.
3. Do not bury the outlet during drywall and plaster application. Ensure that the cover over the outlet is in place until the latch valve assembly can be installed.
4. All outlets' inlet tubing rotates 360° for ease of installation.
5. When soldering the pipe connection take care not to heat up the body, as this can damage the secondary check valve.
6. Keep protective cover/cap in place during construction, to ensure that no debris or dirt gets into the outlet.
7. When installing the latch valve assembly, remove the protective cover and inspect for dirt or debris in the outlet body. Clean out any contaminants that are found.
8. The latch valve assembly should slide smoothly into the rough in assembly. If not, check that there is no damage to the indexing pin arrangements. If the indexing pins are bent or damaged, replace the latch valve assembly.
9. Do not pressure test the pipeline over 100 PSI if the latch valve assembly has been installed.
10. All rough in assemblies can be pressure tested up to a maximum of 200 PSI without the latch valve assembly installed.

Rough-in Exploded View (console shown, others similar)



Repair Kit:

OLET-REPAIR-BACK

Item #	Description
2*	Spring
3*	Check Valve
4*	Seal Ring
5*	Washer
6*	Retaining Ring

* Items included in kit

Rough-in Back Body Assembly complete:

Part Number

OLET-BACK-TTT-GG

Description

Outlet rough-in back

Outlet Type: (replaces TTT)

WALL = Recessed wall outlet

CEIL = Recessed ceiling outlet

CONS = Console outlet

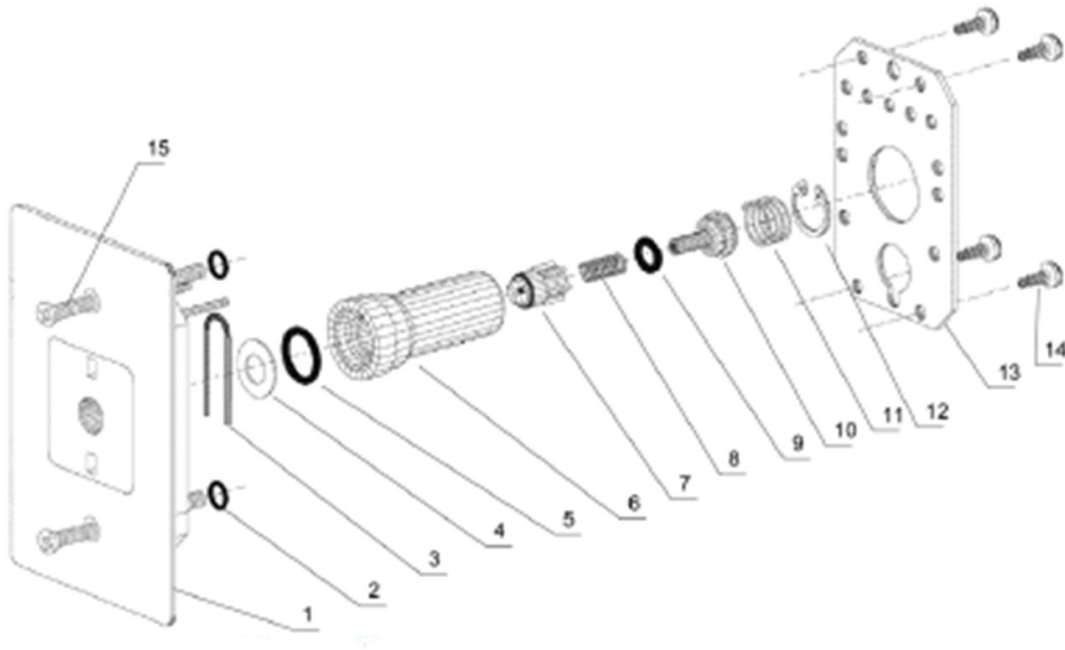
Gas Types: (replaces GG)

O2 = Oxygen

AIR = Medical Air

VAC = Medical Vacuum

Ohio Compatible Latch Valve Assembly



Repair Kit Number:

OLET-REPAIR-OHM

Item #	Description
2	Mounting Screw O-ring
1	Panel Assembly
1	Connector O-Ring (#5)
5*	Connector O-ring
9*	Valve O-ring
7*	Dust Cap
8*	Cap Spring
10*	Check Valve
11*	Valve Spring, Pressure Service
12*	C-Spring Clip
3	U-Spring
4	Washer
6	Connector
13	Retaining Plate
14	Screws
15	Mounting Screw

* Items included in kit

Latch valve assembly complete:

PX-LATCH-OHM-GG

Gas Types: (replaces GG)

O2 = Oxygen

AIR = Medical Air

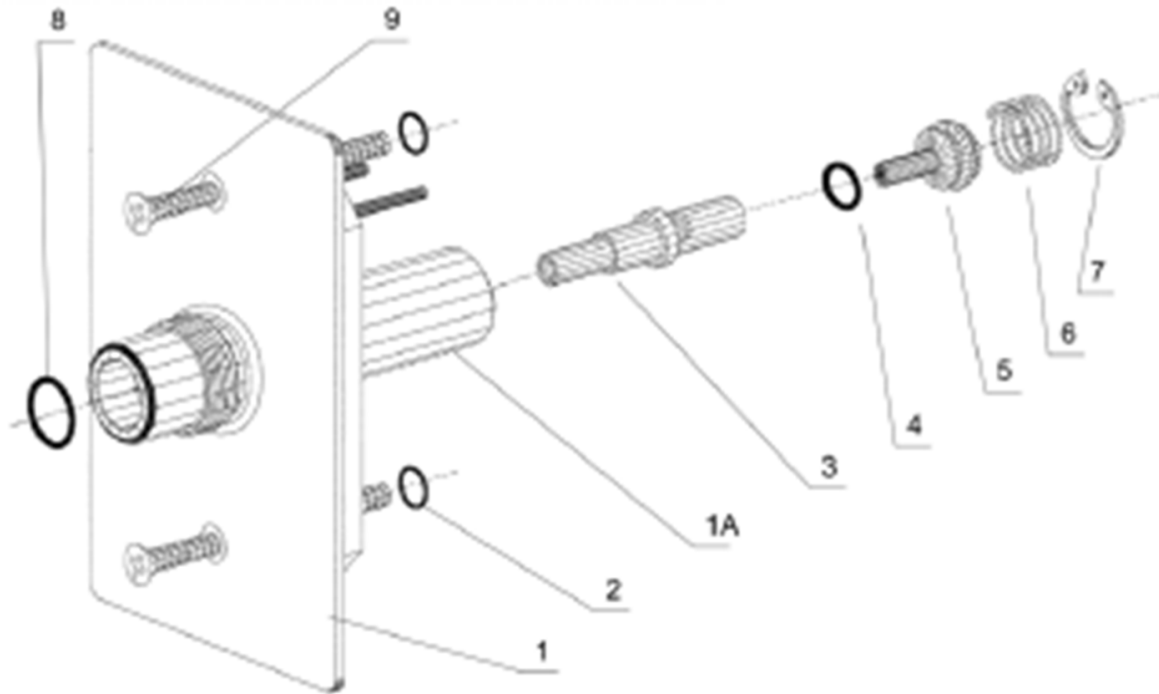
VAC = Medical Vacuum

N2O = Nitrous Oxide

WAGD = Evacuation/WAGD

CO2 = Carbon Dioxide

DISS Latch Valve Assembly



Repair Kit Number:

OLET-REPAIR-DISS

Item #	Description
9	Mounting Screw
2	Mounting Screw O-ring
1	Panel Assembly
8	Connector O-Ring
4*	Valve O-Ring
3	Valve Steom, Oxygen
3	Valve Stem, Vacuum, WAGD
3	Valave Stem, Air, N2O, CO2, Nit
5*	Check Valve
6*	Valve Spring
7*	C-Spring Clip

* Items included in kit

Latch valve assembly complete:

PX-LATCH-DISS-GG

Gas Types: (replaces GG)

O2 = Oxygen

AIR = Medical Air

VAC = Medical Vacuum

N2O = Nitrous Oxide

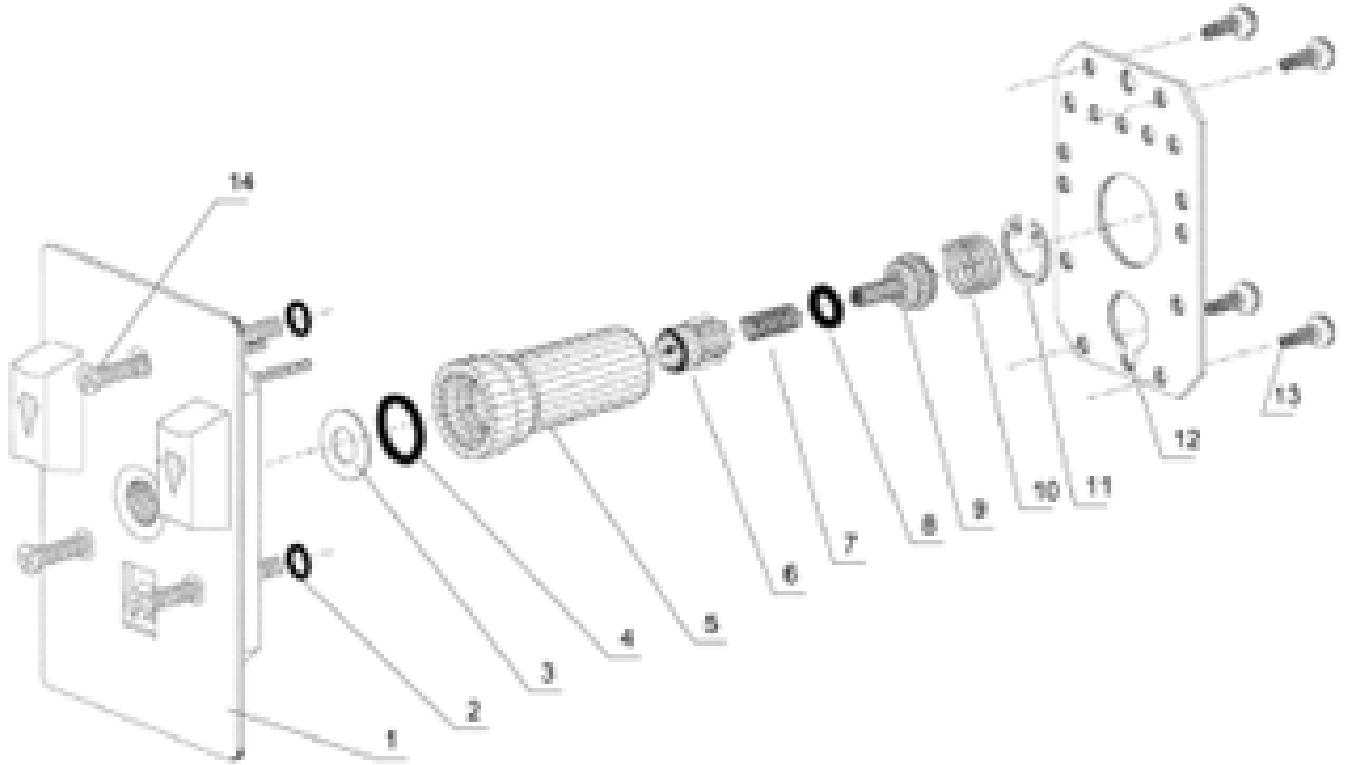
WAGD = Evacuation/WAGD

CO2 = Carbon Dioxide

N2 = Nitrogen

INST = Instrument Air

Chemetron Compatible Latch Valve Assembly



Repair Kit Number:

OLET-REPAIR-CHEM

Item #	Description
2	Mounting Screw O-Ring
1	Panel Assembly
5*	Connector O-Ring
8*	Valve O-ring
6*	Dust Cap
7*	Cap Spring
9*	Check Valve
10*	Valve Spring
11*	C-Spring Clip
3	Washer
5	Connector
12	Retaining Plate
13	Screws
14	Mounting Screw

* Items included in kit

Latch valve assembly complete:

PX-LATCH-CHEM-GG

Gas Types: (replaces GG)

O2 = Oxygen

AIR = Medical Air

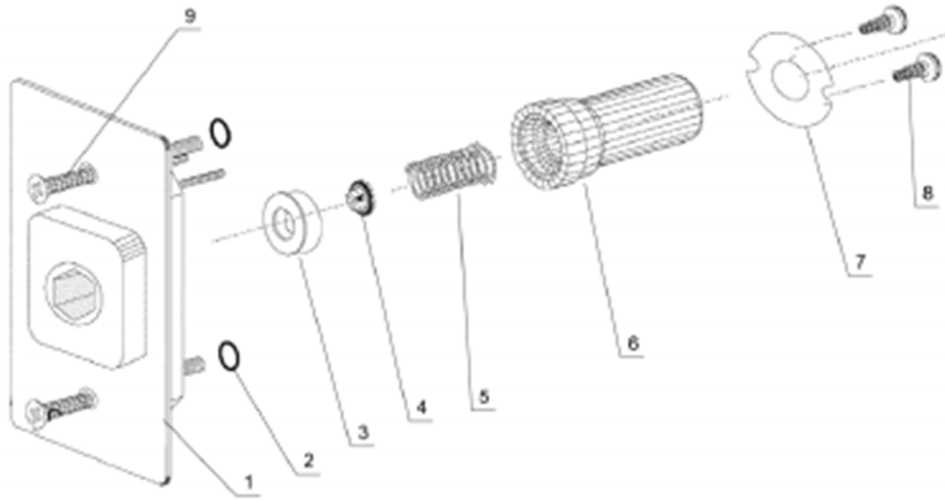
VAC = Medical Vacuum

N2O = Nitrous Oxide

WAGD = Evacuatioin/WAGD

CO2 = Carbon Dioxide

Puritan-Bennett Compatible Latch Valve Assembly



Repair Kit Number:

OLET-REPAIR-PB

Item #	Description
3*	Seal Ring
4*	Check Valve
5*	Valve Spring
6	Connector
7	Retaining Ring
8	Screws
9	Mounting Screw
2	Mounting Screw O-Ring
1	Panel Assembly

* Items included in kit

Latch valve assembly complete:

PX-LATCH-PB-GG

Gas Types: (replaces GG)

O2 = Oxygen

AIR = Medical Air

VAC = Medical Vacuum

N2O = Nitrous Oxide

WAGD = evacuations/WAGD

CO2 = Carbon Dioxide

Miscellaneous Parts

Part Number	Description
TRIM-GREY	Alternate grey trim plate
TRIM-CONS	Console trim plate
TRIM-CHM	Chrome trim plate
OLET-EXTENSION	Outlet Extension Kit; 1.25 - 2 in

Warranty and Remedies. (a) Standard Period of Warranty – Parts and Labor. Powerex warrants and represents all Products shall be free from Defects for the first twelve (12) months from the date of shipment by Powerex. During such warranty period, Powerex shall be fully liable for all Defects in the Products (the “Product Defects”), i.e., all costs of repair or replacement, which may include “in and out” charges, so long as the Products are located in the United States or Canada, and the Products are reasonably located and accessible by service personnel for removal. “In and out” charges include the costs of removing a Product from buyer’s equipment for repair or replacement.

(b) Additional Period of Warranty – Parts Only (No Labor). In addition to the above, Powerex warrants the products described herein to be free from defects in material and workmanship for forty-eight (48) months from end of Standard Period of Warranty with the exception of any components which are recommended to be replaced in less than sixty months in our Installation/Operation manuals. Within said period Powerex will repair or replace any part or component which is proven to be defective in either material or workmanship. This warranty covers parts only. Labor is not included. This warranty is valid only when the product has been properly installed according to Powerex specifications, used in a normal manner and serviced according to factory recommendations. This warranty does not cover failures due to damage which occurs in shipment or failures which result from accidents, misuse, abuse, neglect, mishandling, alteration, misapplication or damage due to acts of nature.

(c) General. Powerex warrants each Powerex branded Pipeline Accessory (collectively “Products”, individually each a “Product”) to be free from defects in material and workmanship (“Defects”) at the date of shipment. EXCEPT AS SET FORTH BELOW, NO OTHER WARRANTY, WHETHER EXPRESS OR IMPLIED, INCLUDING ANY WARRANTY OF MERCHANTABILITY OR FITNESS FOR A PARTICULAR PURPOSE, SHALL EXIST IN CONNECTION WITH THE SALE OR USE OF SUCH PRODUCTS. TO THE EXTENT PERMITTED BY LAW, ANY AND ALL IMPLIED WARRANTIES ARE EXCLUDED. All warranty claims must be made in writing and delivered to Powerex in accordance with the procedures set forth on its website (www.powerexinc.com), or such claim shall be barred. Upon timely receipt of a warranty claim, Powerex shall inspect the Product claimed to have a Defect, and Powerex shall replace any Product which it determines to have had a Defect; provided, however, that Powerex may elect, upon return of the Product, to refund to buyer any part of the purchase price of such Products paid to Powerex. Freight for returning Products to Powerex for inspection or for shipping warranty parts shall be paid by buyer where permitted by applicable law. Powerex is not responsible for any import fees, taxes, duties, licenses or other fees imposed by any governmental authority upon the production, sale, shipment and/or use of Products covered hereunder. The warranties and remedies herein are the sole and exclusive remedy for any breach of warranty or for any other claim based on any Defect, or non-performance of the Products, whether based upon contract, warranty or negligence.

(d) Coverage. The warranty provided herein applies to Powerex pipeline products only.

(e) Exceptions. Notwithstanding anything to the contrary herein, Powerex shall have no warranty obligations with respect to Products:

- (i)** That have not been installed in accordance with Powerex’s written specifications and instructions;
- (ii)** That have not been maintained in accordance with Powerex’s written instructions;
- (iii)** That have been materially modified without the prior written approval of Powerex; or
- (iv)** That experience failures resulting from operation, either intentional or otherwise, in excess of rated capacities or in an otherwise improper manner.

The warranty provided herein shall not apply to: **(i)** any defects arising from corrosion, abrasion, use of insoluble lubricants, or negligent attendance to or faulty operation of the Products; **(ii)** ordinary wear and tear of the Products; or **(iii)** defects arising from abnormal conditions of temperature, dirt or corrosive matter; **(iv)** any OEM component which is shipped by Powerex with the original manufacturer’s warranty, which shall be the sole applicable warranty for such component.

Limitation of Liability. NOT WITHSTANDING ANYTHING TO THE CONTRARY HEREIN, TO THE EXTENT ALLOWABLE UNDER APPLICABLE LAW, UNDER NO CIRCUMSTANCES SHALL POWEREX BE LIABLE FOR ANY INCIDENTAL, CONSEQUENTIAL, PUNITIVE, SPECULATIVE OR INDIRECT LOSSES OR DAMAGES WHATSOEVER ARISING OUT OF

OR IN ANY WAY RELATED TO ANY OF THE PRODUCTS OR GOODS SOLD OR AGREED TO BE SOLD BY POWEREX TO BUYER. TO THE EXTENT ALLOWABLE UNDER APPLICABLE LAW, POWEREX'S LIABILITY IN ALL EVENTS IS LIMITED TO, AND SHALL NOT EXCEED, THE PURCHASE PRICE PAID. In the event of breach of any warranty hereunder, Powerex's sole and exclusive liability shall be at its option either to repair or to replace any defective product, or to accept return, transportation prepaid, of such product and refund the purchase price; in either case provided that written notice of such defect is given to Powerex within twelve (12) months from date of shipment to Buyer, that the product is found by Powerex to have been defective at the time of such shipment, that the product has been installed and/or operated in accordance with Powerex's instructions, that no repairs, alterations or replacements have been made by others without Powerex's written approval, and that Buyer notifies Powerex in writing within fifteen (15) days after the defect becomes apparent and promptly furnishes full particulars in connection therewith; and provided further that in no event shall the aggregate liability of Powerex in connection with breach of any warranty or warranties exceed the purchase price paid for the product purchased hereunder. Powerex may, at its option, require the return of any product, transportation and duties prepaid, to establish any claim of defect made by Buyer. Unless otherwise agreed in writing **(a)** Powerex will not accept and shall have no responsibility for products returned without its prior written consent, and **(b)** Powerex will not assume any expense or liability for repairs to products made outside of its plant by third parties. In the event Powerex elects to replace a defective product, costs of installation, labor, service, and all other costs to replace the product shall be the responsibility of Buyer.

Powerex shall not, except as set forth above, be otherwise liable to Buyer or to any person who shall purchase from Buyer, or use, any products supplied hereunder for damages of any kind, including, but not limited to, indirect, special or consequential damages or loss of production or loss of profits resulting from any cause whatsoever, including, but not limited to, any delay, act, error or omission of Powerex. Supplier's repair or replacement of any Product shall not extend the period of any warranty of any Product.

Warranty Disclaimer. Powerex has made a diligent effort to illustrate and describe the Products in its literature, including its Price Book, accurately; however, such illustrations and descriptions are for the sole purpose of identification, and do not express or imply a warranty that the Products are merchantable, or fit for a particular purpose, or that the Products will necessarily conform to the illustrations or descriptions.

Product Suitability. Many jurisdictions have codes and regulations governing sales, construction, installation, and/or use of Products for certain purposes, which may vary from those in neighboring areas. While Powerex attempts to assure that its Products comply with such codes, it cannot guarantee compliance, and cannot be responsible for how the product is installed or used. Before purchase and use of a Product, please review the Product applications, and national and local codes and regulations, and be sure that the Product, installation, and use will comply with them.

Claims. Any non-warranty claims pertaining to the Products must be filed with Powerex within (6) months of the invoice date, or they will not be honored. Prices, discounts, and terms are subject to change without notice or as stipulated in specific Product quotations. Powerex shall not be liable for any delay or failure arising out of acts of the public enemy, fire, flood, or any disaster, labor trouble, riot or disorder, delay in the supply of materials or any other cause, whether similar or dissimilar, beyond the control of Company. All shipments are carefully inspected and counted before leaving the factory. Please inspect carefully any receipt of Products noting any discrepancy or damage on the carrier's freight bill at the time of delivery. Discrepancies or damage which obviously occurred in transit are the carrier's responsibility and related claims should be made promptly directly to the carrier. Returned Products will not be accepted without prior written authorization by Powerex and deductions from invoices for shortage or damage claims will not be allowed. **UNLESS OTHERWISE AGREED TO IN WRITING, THE TERMS AND CONDITIONS CONTAINED IN THIS LIMITED WARRANTY WILL CONTROL IN ANY TRANSACTION WITH POWEREX.** Any different or conflicting terms as may appear on any order form now or later submitted by the buyer will not control. All orders are subject to acceptance by Powerex.