

Product Line Overview

The Powerex Emergency Oxygen Supply Connection Box provides an inlet for connecting a temporary auxiliary source of oxygen to the oxygen pipeline system for emergency or maintenance situations as recommended by NFPA 99.

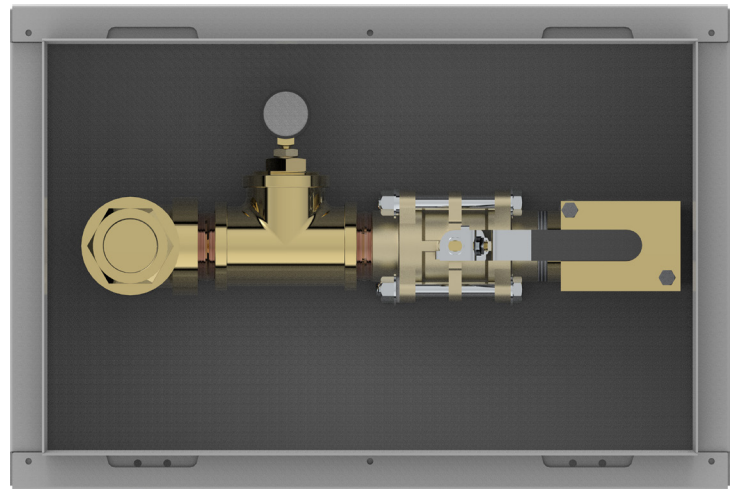
Features & Benefits

- Made in the U.S.A.
- Designed in accordance with NFPA 99.
- Rugged 16 gauge weather-tight enclosure padlockable door latch to prevent tampering or unauthorized access.
- The inlet will consist of 1" ball valve with 1" NPT connection or a 2" ball valve with 2" NPT connection and a pressure gauge.
- 75 PSI Safety relief valve with 1/2" NPT connections included with each EOSC
- Entire assembly is cleaned for oxygen service and capped.
- Available with back connection point only.

Specifications

The Powerex Emergency Oxygen Supply Connection Box consists of a ball valve, pressure gauge and a NPT (plugged) connection housed in a 16 gauge weathertight, maintenance free enclosure. The enclosure is labeled "Emergency Oxygen Supply Connection," and includes a padlockable door latch to prevent tampering or unauthorized access. The Powerex Emergency Oxygen Supply Connection Box should be connected at a point downstream of the main supply line shutoff valve.

Check valves and a relief valve (75 PSI relief valve included) are required to complete the installation. The relief valve has a brass body, single seat design, and is cleaned for oxygen. The relief valve automatically opens to 'relieve' or vent pressures greater than 75 PSI to atmosphere and will automatically reseal to provide a bubble tight seal after the pressure drops below 75 psig. The check valve has a brass body, removable zero clearance center section (3 piece design), dual 1/8" NPT ports and brazed on copper tube extensions. All products are cleaned and bagged for use with oxygen in accordance with CGA G-4.1.



Ordering Information

EOSC-S-TTT

S = VALVE SIZE

1 = 1" Ball Valve with 1" NPT connection

2 = 2" Ball Valve with 2" NPT connection

TTT = Box Type

REC = Recessed

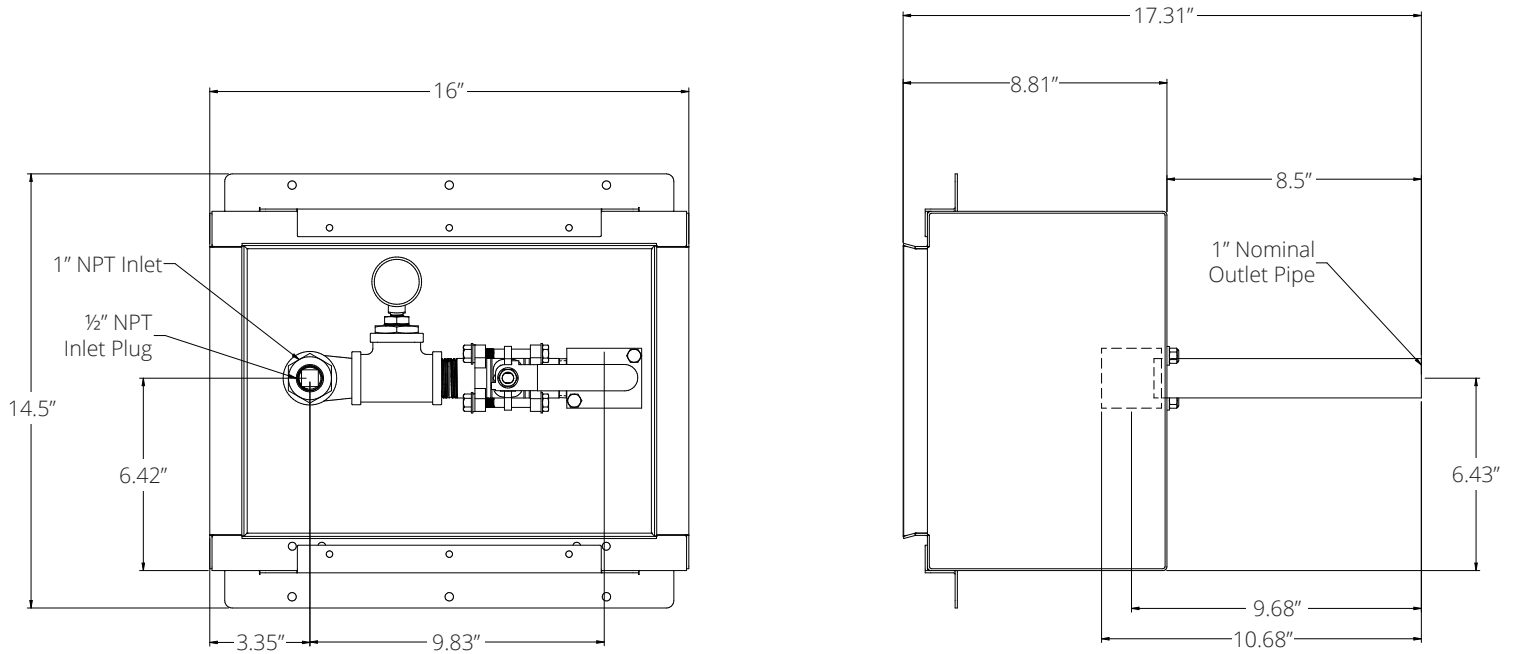
SM = Surface Mount

Ex. EOSC-1-REC

EOSC-2-SM

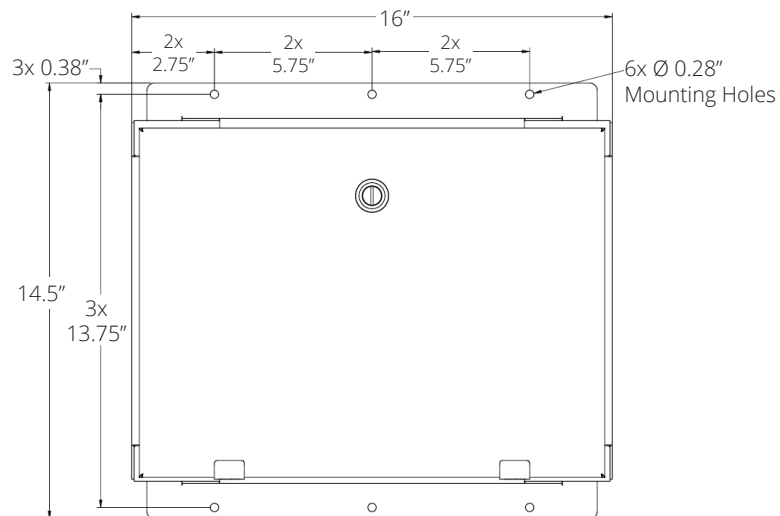
Dimensions

EOSC-1-REC – 1" Recessed Mount



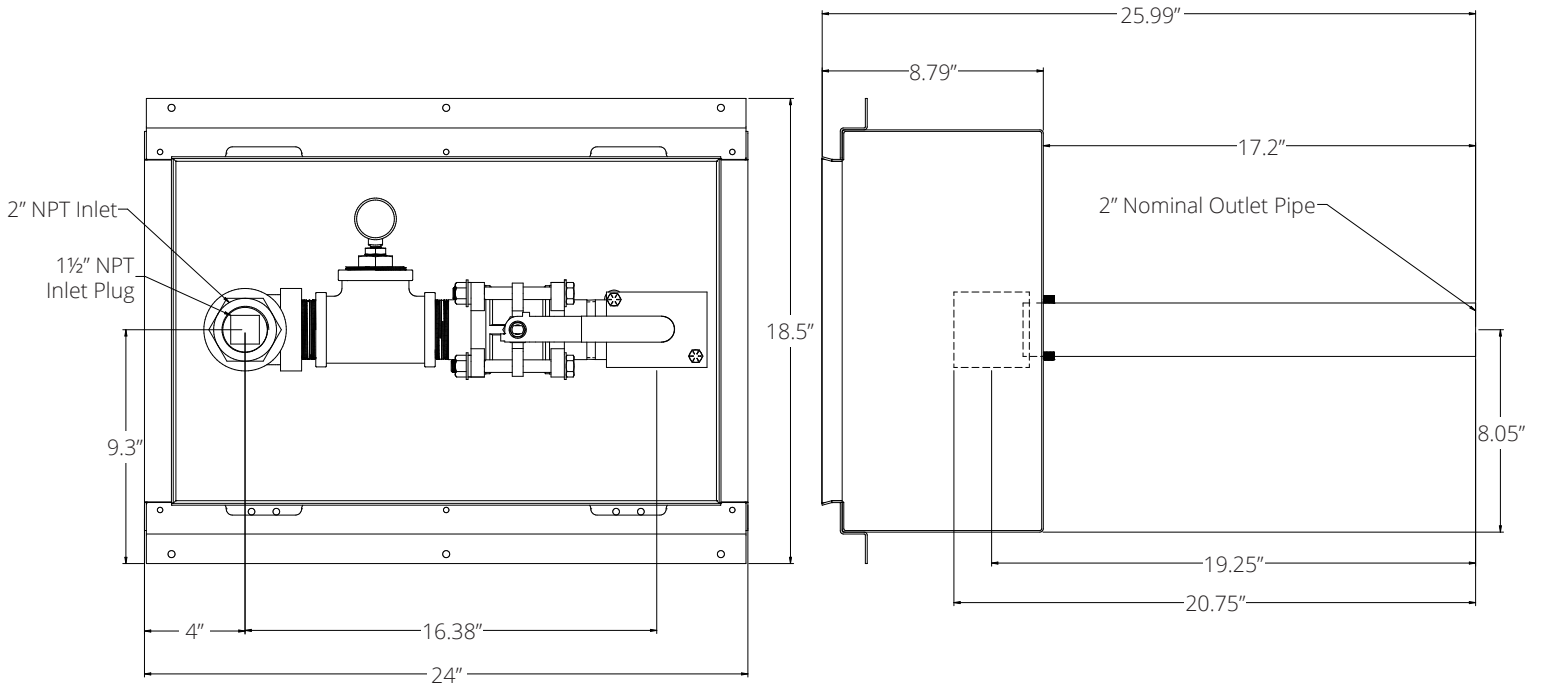
Mounting Hole Locations

EOSC-1-REC – 1" Recessed Mount



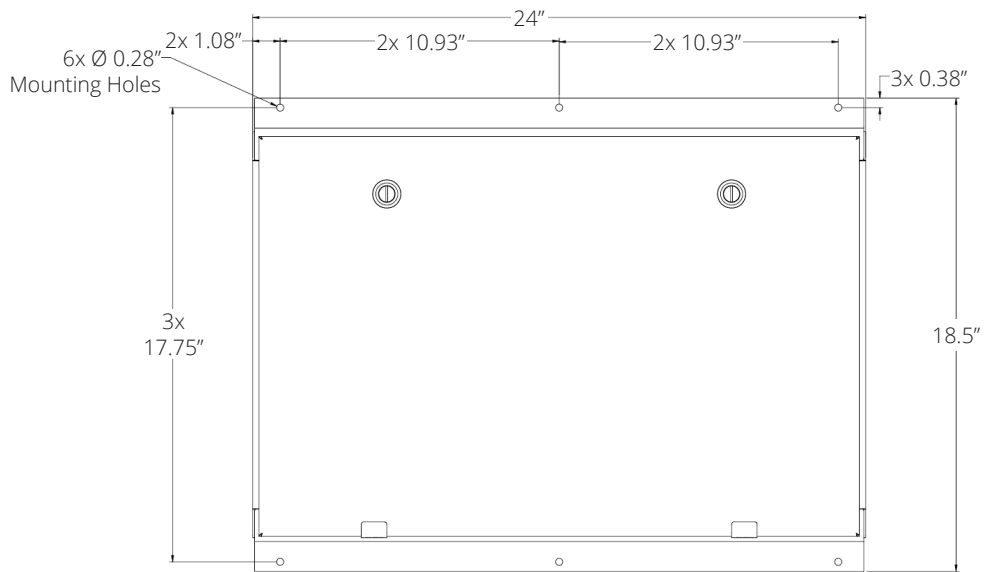
Dimensions

EOOSC-2-REC – 2" Recessed Mount



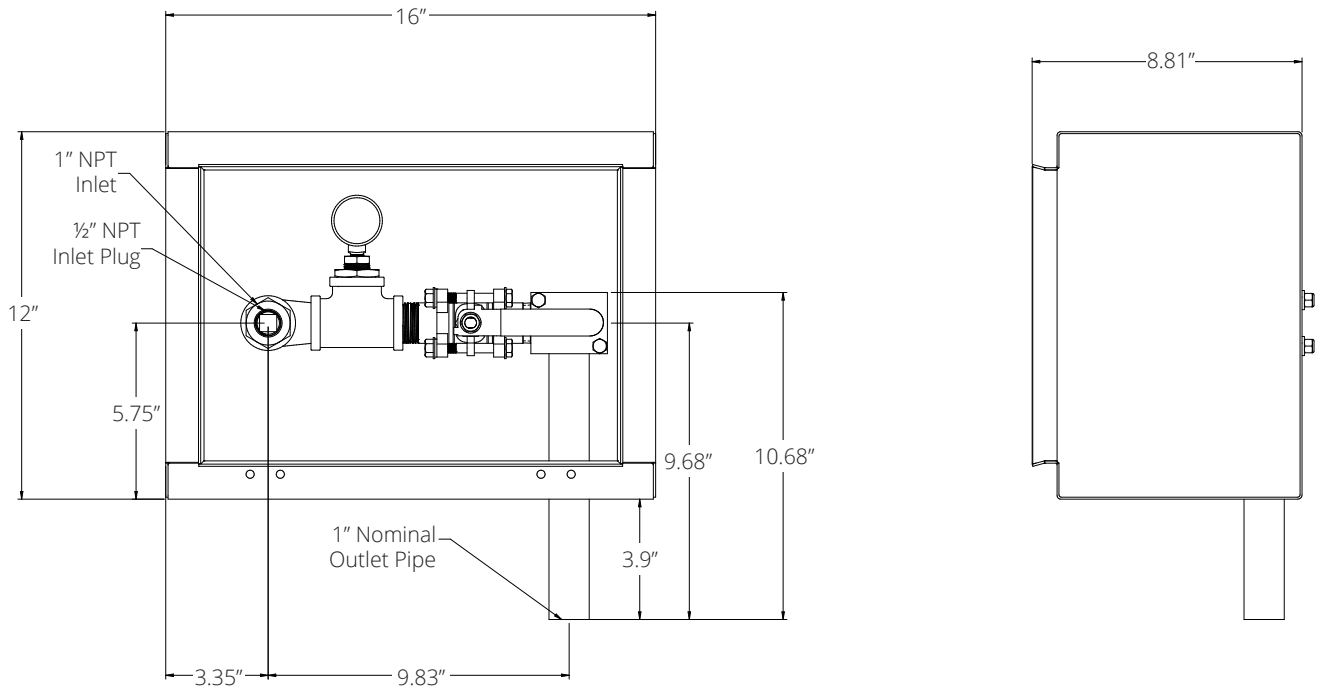
Mounting Hole Locations

EOOSC-2-REC – 2" Recessed Mount



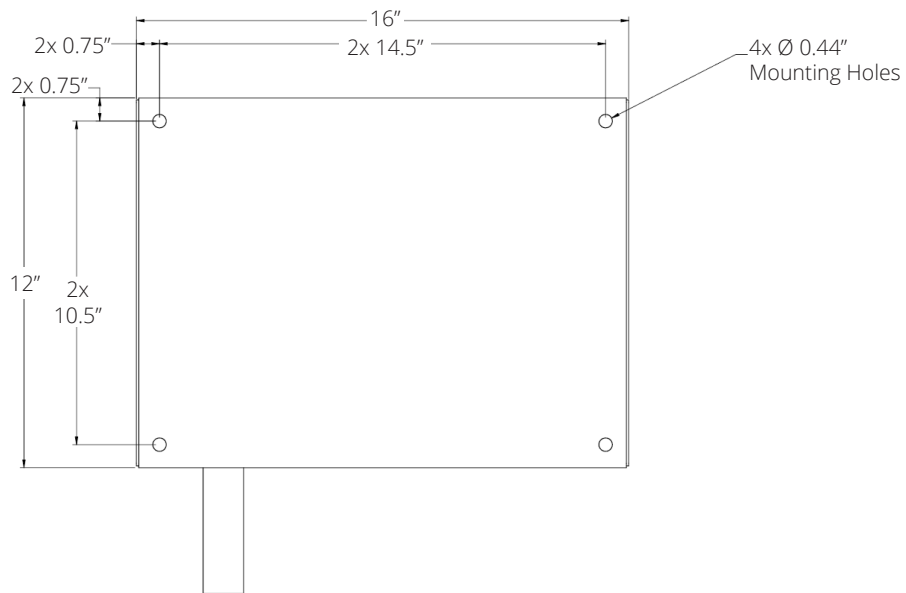
Dimensions

EOSC-1-SM – 1" Surface Mount



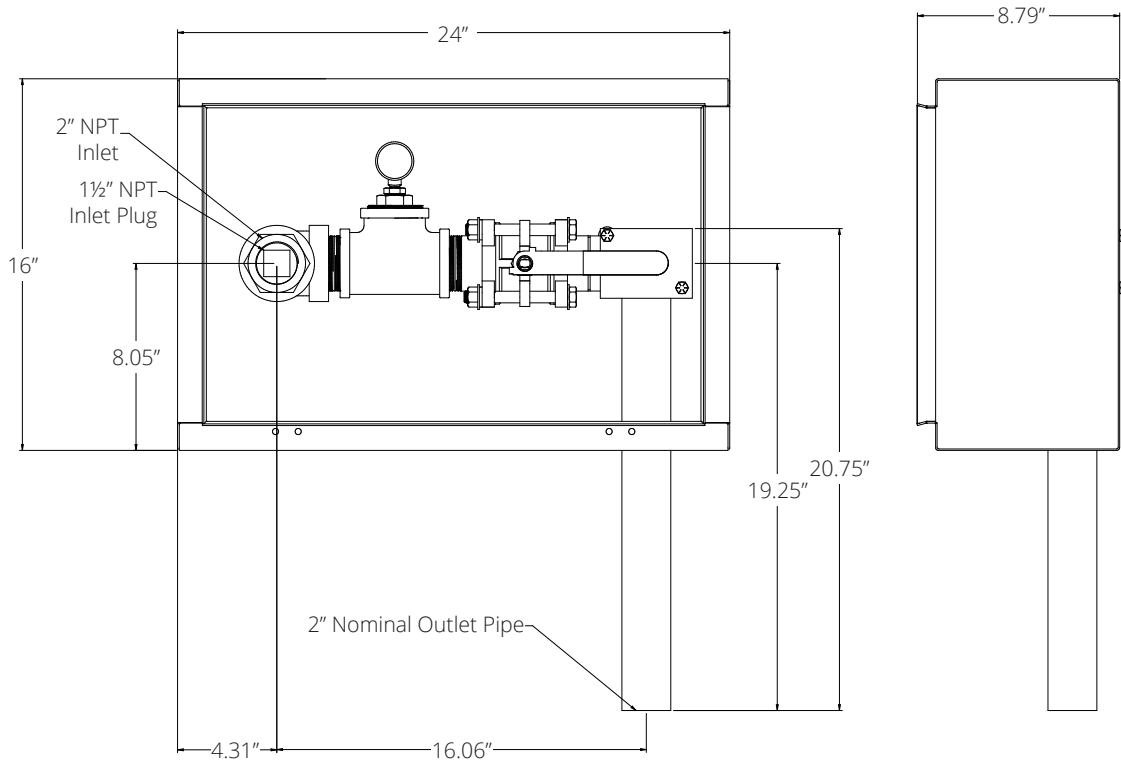
Mounting Hole Locations

EOSC-1-SM – 1" Surface Mount



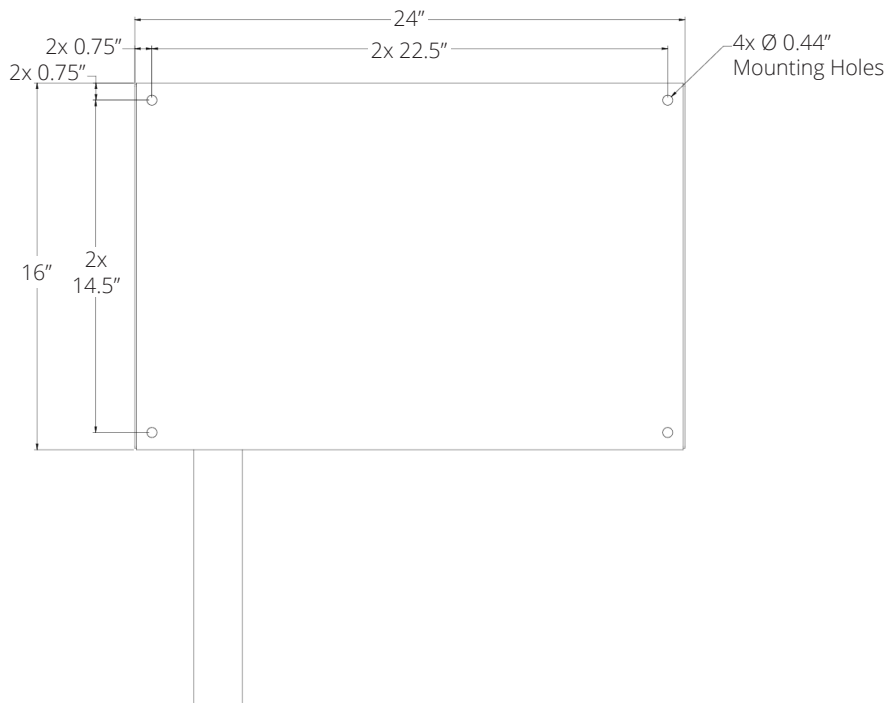
Dimensions

EOSC-2-SM – 2" Surface Mount



Mounting Hole Locations

EOSC-2-SM – 2" Surface Mount



Optional Accessories (sold separately)

Part Number	Description
PX-CV-075 EXT	3/4" check valve with extension
PX-CV-100 EXT	1" check valve with extension
PX-CV-125 EXT	1 1/4" check valve with extension
PX-CV-150 EXT	1 1/2" check valve with extension
PX-CV-200 EXT	2" check valve with extension
V-217001AV	1/2" relief valve with pipe away adaptor (Included in assembly)
PX-PSB-24	Pressure switch with gauge and DISS demand check fitting