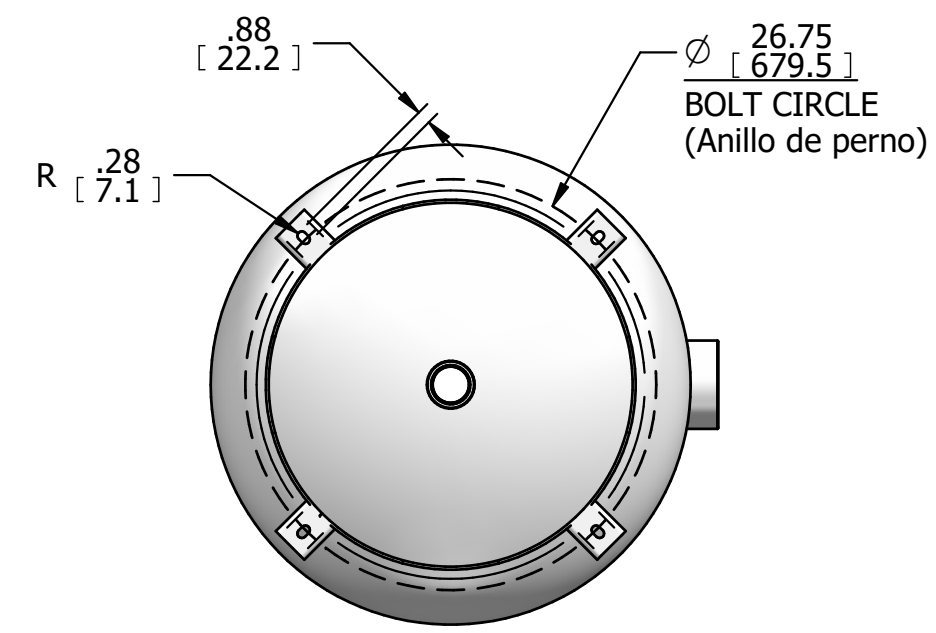


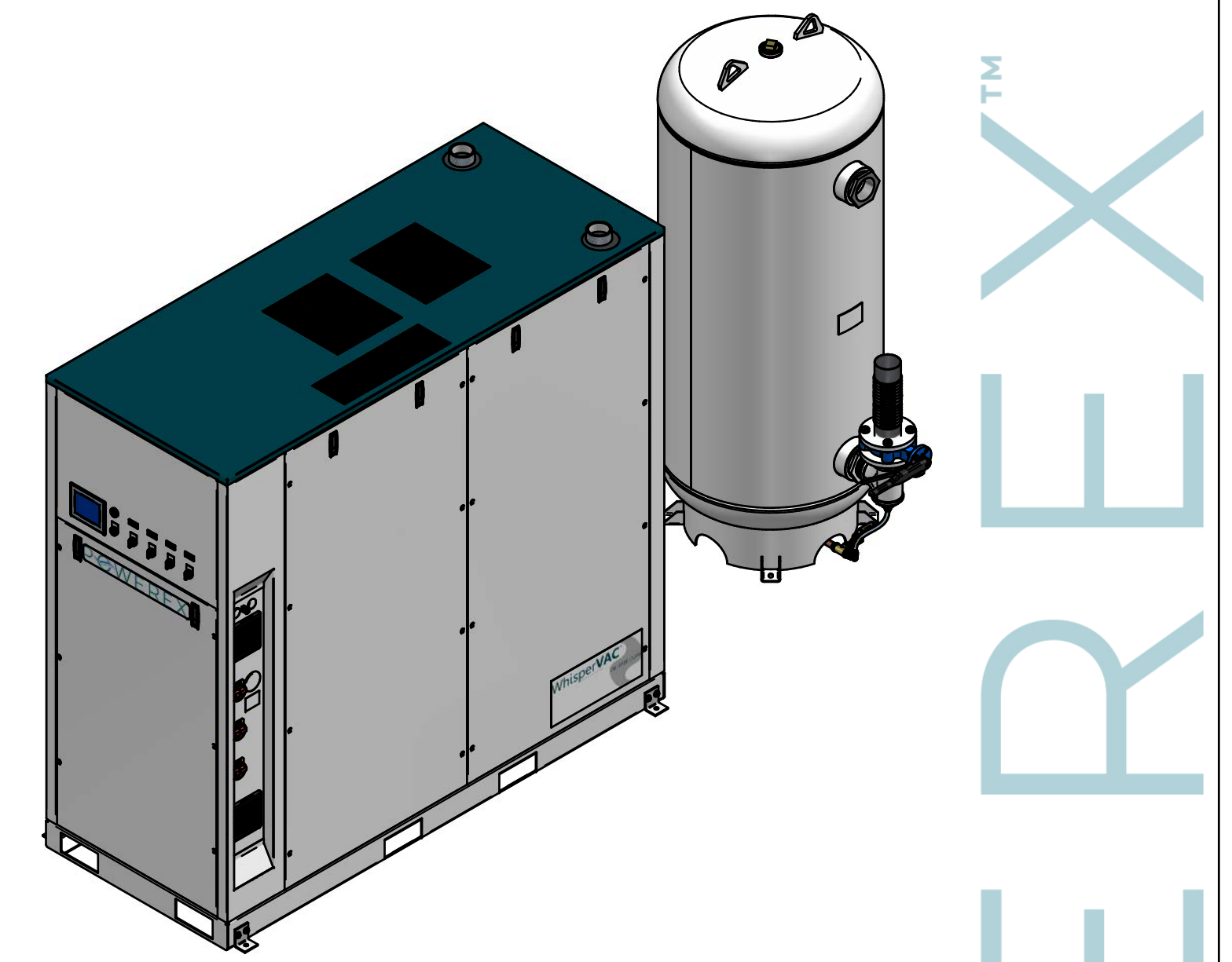
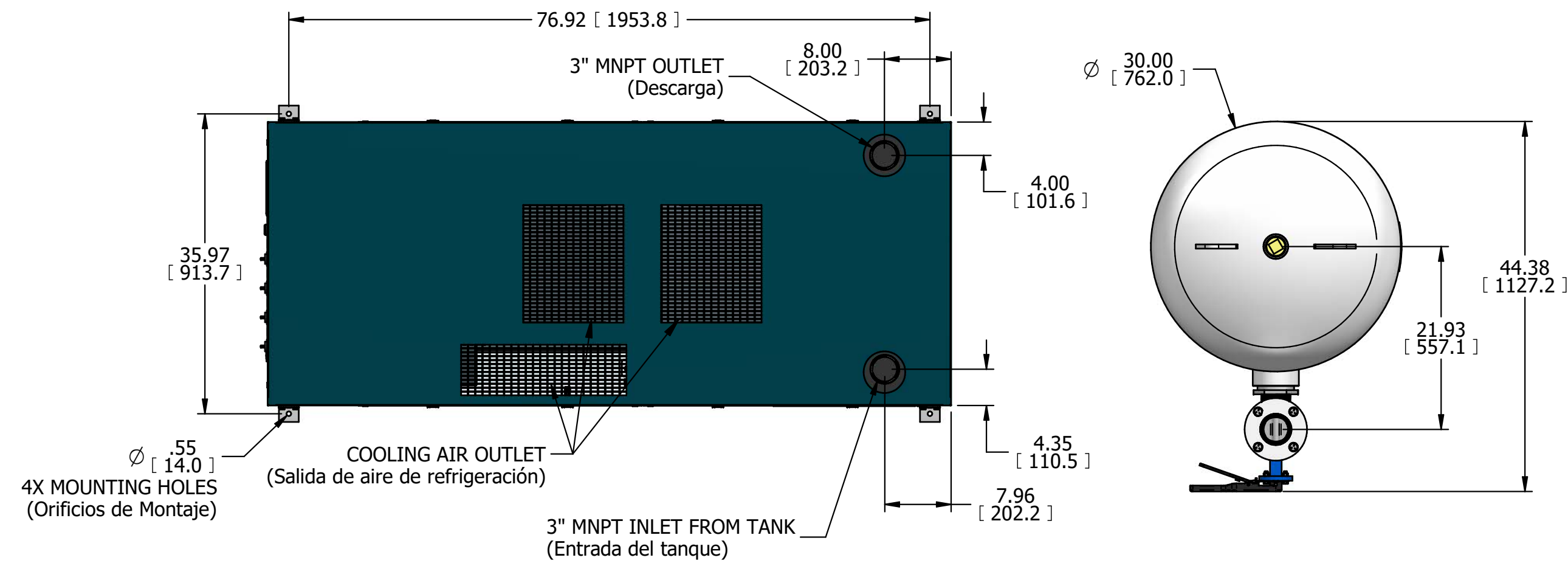
LVECD1505xx1

LAB VAC ENCL 15 HP DUPLEX CLAW 200G TANK

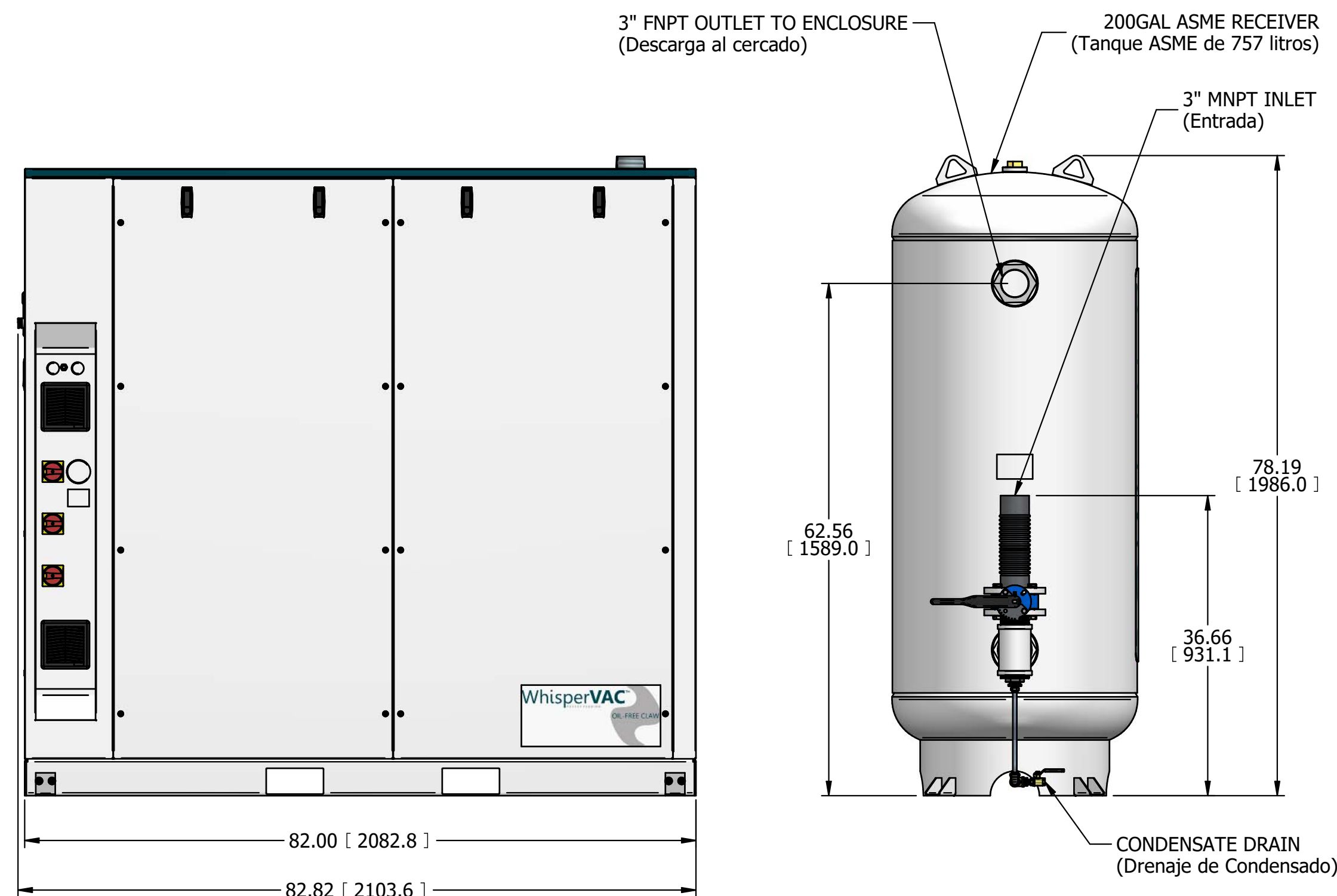
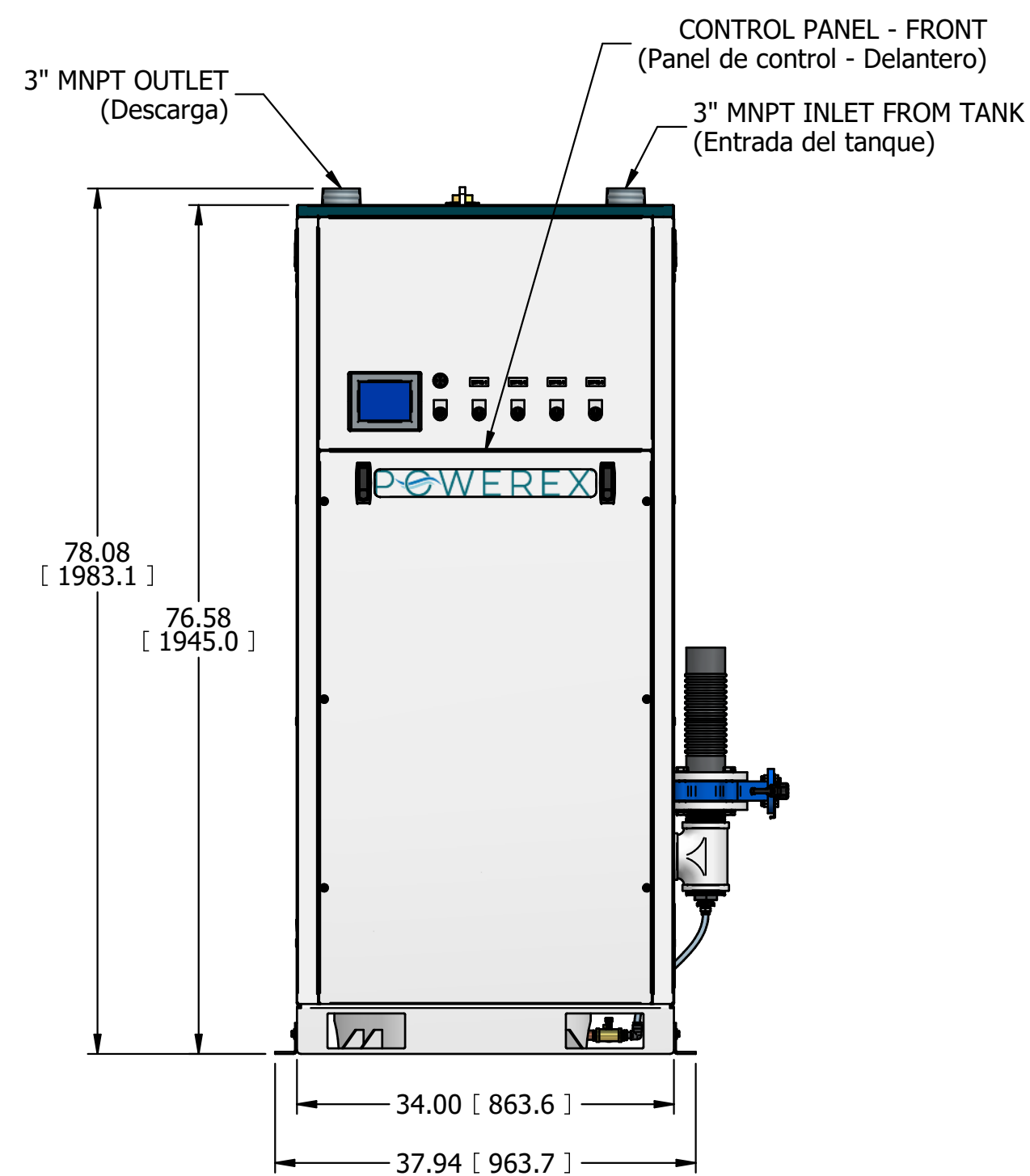
REVISION NOTES		
DESCRIPTION	ECN	PR/NOR
RELEASE TO PRODUCTION	PXEC0481	XXXXXXXX



4X FLOOR MOUNTING SLOTS (Ranuras de Montaje)



ISO VIEW



- NOTES:
- APPROXIMATE WEIGHT: 3293 LBS
 - A MINIMUM OF 24" CLEARANCE IS RECOMMENDED AROUND THE ENTIRE UNIT. CLEARANCE FOR CONTROL PANEL SHALL BE IN ACCORDANCE WITH OSHA/NEC REQUIREMENTS.
 - ALL PLUMBING FROM TANK OUTLET TO ENCLOSURE INLET(S) SHALL BE FIELD-SUPPLIED.
 - PESO APROXIMADO: 1491 kg
 - RECOMENDAMOS QUE EL ESPACIO LIBRE ALREDEDOR DEL SISTEMA DEBE SER COMO MÍNIMO 24" (600 mm). EL ESPACIO LIBRE PARA EL TABLERO DE CONTROL DEBERÁ ESTAR DE ACUERDO CON LOS REQUERIMIENTOS DE SEGURIDAD DE LA OSHA/NEC.
 - TODA LA PLOMERÍA DESDE LA DESCARGA DEL TANQUE HASTA LA(S) ENTRADA(S) DEL CERCADO DEBE SER SUMINISTRADA POR EL CLIENTE.

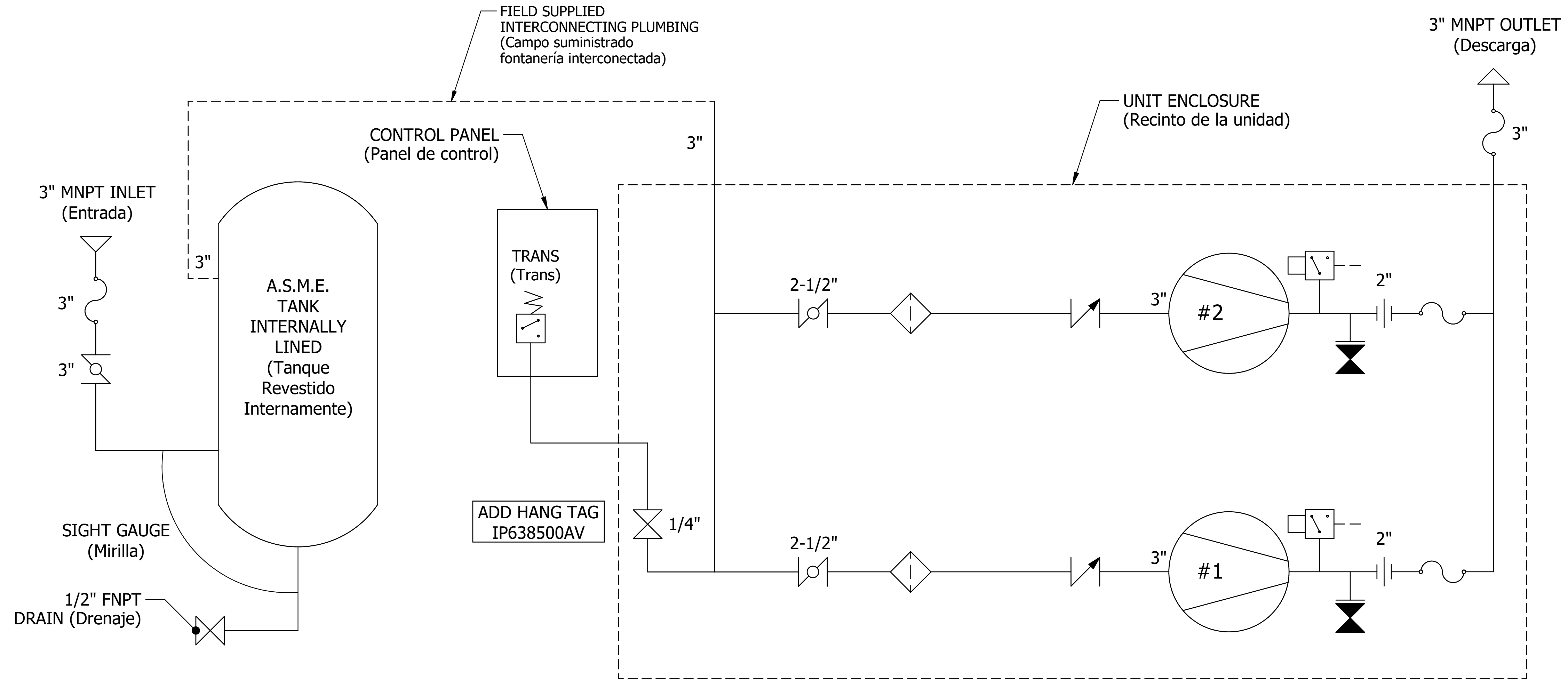
SYMBOL LEGEND		DRAWINGS TO CONFORM TO CURRENT REVISION OF THE FOLLOWING STANDARDS:	
		Y14.1 MULTI AND SECTIONAL DWGS	
		Y14.5 DIMENSIONING AND TOLERANCING	
TOLERANCES, UNLESS OTHERWISE SPECIFIED	SOLID EDGE DRAWING	DO NOT SCALE DRAWING FOR DIMENSIONS	
0.XXX ± .005			
0.XXX ± .005	INCH [mm]	SHEET 1 OF 2	SCALE 1:14
CONFIDENTIAL DISCLOSURE		APPROVALS ON FILE IN PLM	
This drawing is the property of POWEREX of the SCOTT FEZTER COMPANY and is subject to return on demand. Its contents are confidential and must not be copied or submitted to outside parties for use or examination.		AUTHOR	REVISION DATE
		bkiplinger	1/12/2024
ITEM NO: 752372		POWEREX	
MATERIAL: N/A		150 PRODUCTION DRIVE, HARRISON OH 45030 (888) 769-7929	
DESCRIPTION	DRAWING NUMBER	REVISION	SIZE
LAB VAC ENCL 15 HP DUPLEX CLAW 200G TANK	LVECD1505xx1	A	D

POWEREX™

LVECD1505xx1

LAB VAC ENCL 15 HP DUPLEX CLAW 200G TANK

REVISION NOTES		
DESCRIPTION	ECN	PR/NOR
RELEASE TO PRODUCTION	PXEC0481	XXXXXXXX



POWEREX™

LEGEND (Leyenda)

	CHECK VALVE (Válvula Cheque)		VACUUM PUMP (Bomba de Succión)
	BALL VALVE (Válvula de Bola)		BUTTERFLY VALVE (Válvula de Mariposa)
	INTAKE FILTER (Filtro admisión)		FLEX HOSE (Manguera flexible)
	GAUGE (Manómetro)		TEMPERATURE SWITCH (Interruptor temperatura)
	UNION (Unión)		VACUUM SWITCH/TRANSDUCER (Interruptor/Transductor vacío)
	DRAIN COCK (Grifo de Drenaje)		SOLENOID VALVE (Válvula solenoide)
	AIR LINE (Tubería de Aire)		CONDENSATE LINE (Línea de Condensado)

SYMBOL LEGEND		DRAWINGS TO CONFORM TO CURRENT REVISION OF THE FOLLOWING ANSI STANDARDS:	
		Y14.3 MULTI AND SECTIONAL VIEW DWGS Y14.5 DIMENSIONING AND TOLERANCING	
TOLERANCES: UNLESS OTHERWISE SPECIFIED		DO NOT SCALE DRAWING FOR DIMENSIONS	
0.XX ± .005	SOLID EDGE DRAWING		
0.XXX ± .005	INCH [mm]	SHEET 2 OF 2	SCALE 1:1
± .1			
CONFIDENTIAL DISCLOSURE This drawing is the property of POWEREX of the SCOTT FEZTER COMPANY and is subject to return on demand. Its contents are confidential and must not be copied or submitted to outside parties for use or examination.		AUTHOR bkiplinger	REVISION DATE 1/12/2024
ITEM NO: 752372		APPROVALS ON FILE IN PLM	
MATERIAL: N/A		POWEREX™ 150 PRODUCTION DRIVE, HARRISON OH 45030 (888) 769-7979	
DESCRIPTION LAB VAC ENCL 15 HP DUPLEX CLAW 200G TANK		DRAWING NUMBER LVECD1505xx1	REVISION A D