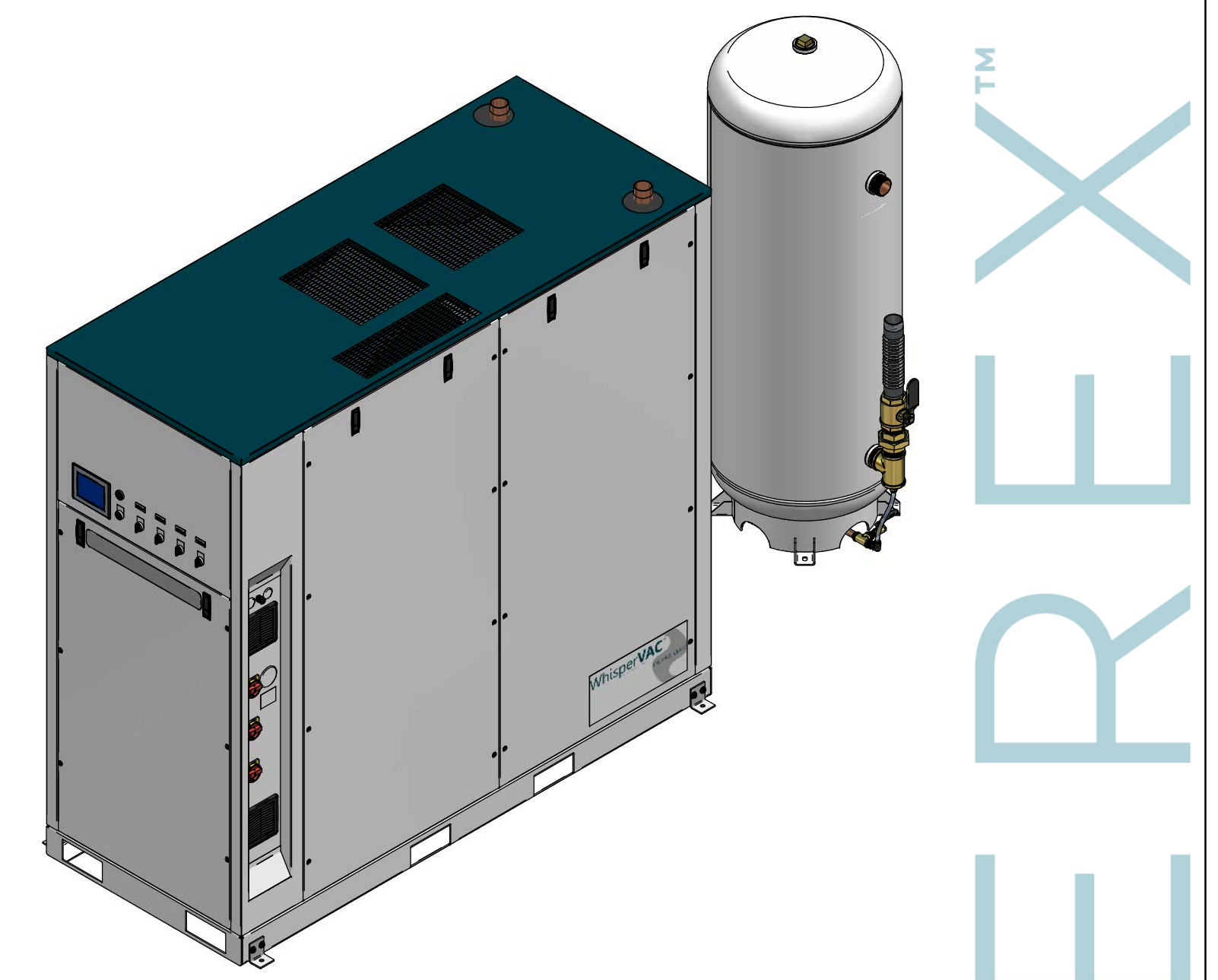
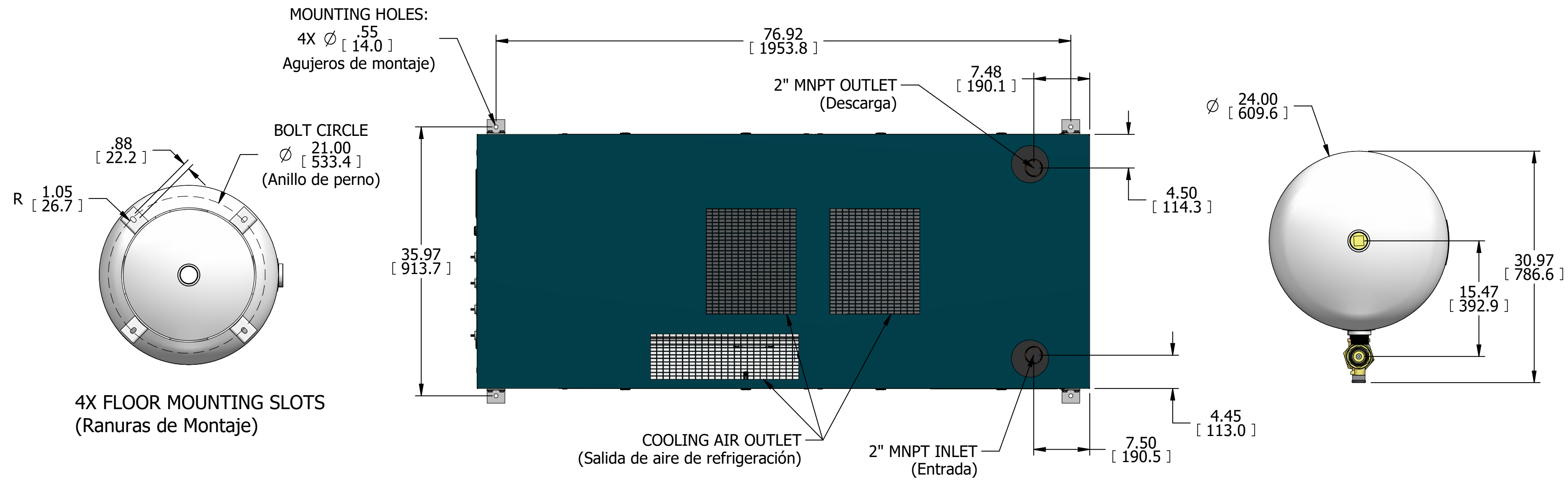


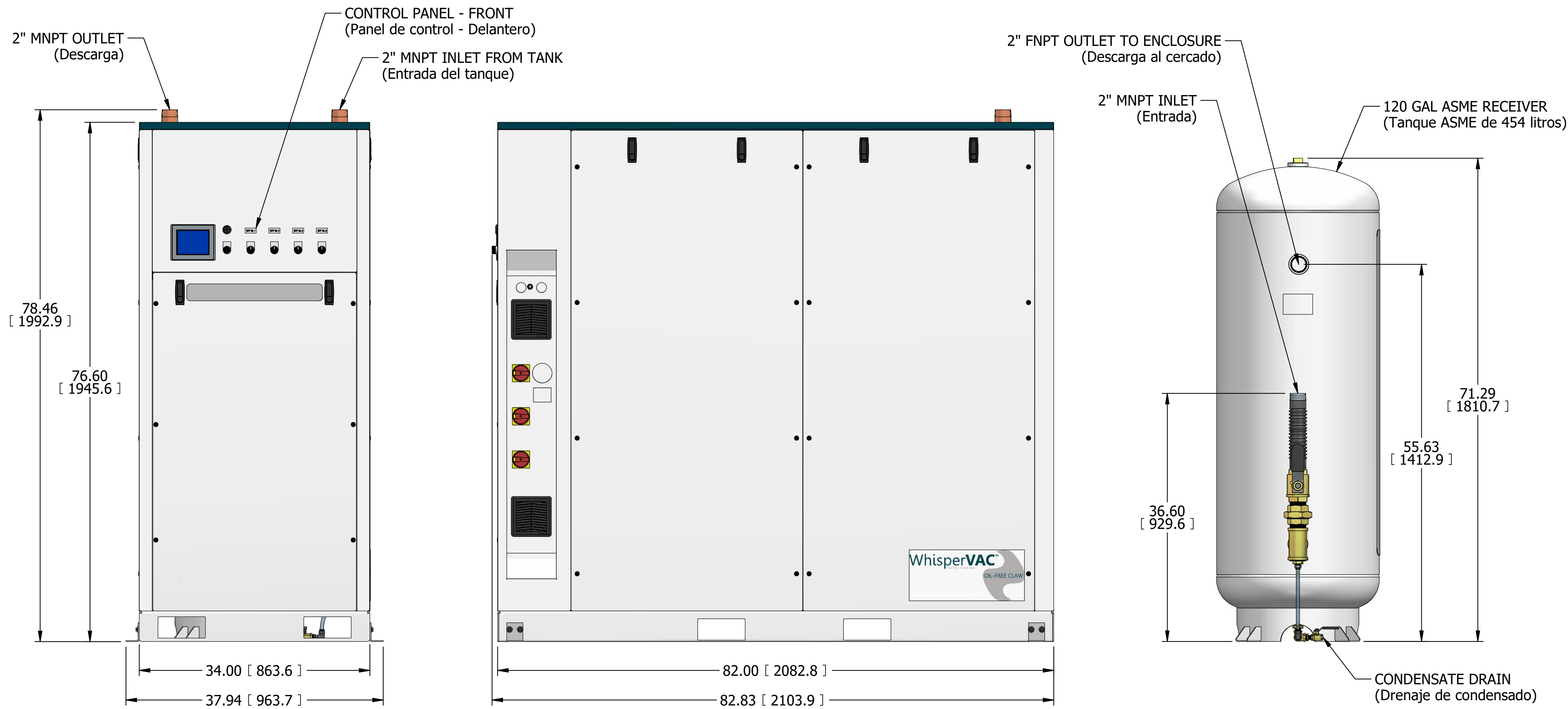
LVEVD0404xx1

LAB VAC ENCL 4.6 HP VANE 120G TANK

REVISION NOTES		
DESCRIPTION	ECN	PR/NOR
RELEASE TO PRODUCTION	PXEC0481	XXXXXXXX



POWEREX™



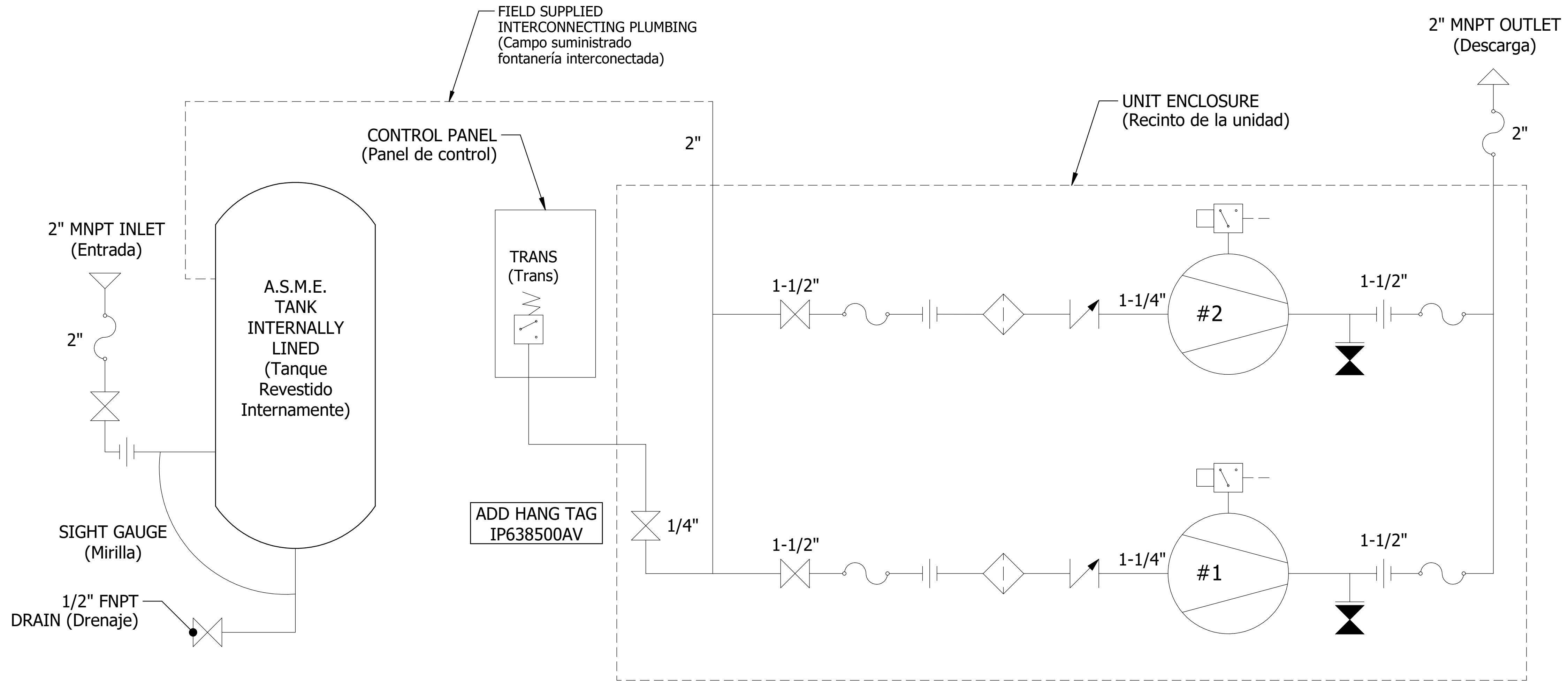
- NOTES:
- APPROXIMATE WEIGHT: 1839 LBS
 - A MINIMUM OF 24" CLEARANCE IS RECOMMENDED AROUND THE ENTIRE UNIT. CLEARANCE FOR CONTROL PANEL SHALL BE IN ACCORDANCE WITH OSHA/NEC REQUIREMENTS.
 - SYSTEM DESIGNED IN COMPLIANCE WITH U.S. NFPA '99, LATEST EDITION.
 - PESO APROXIMADO: 834kg
 - RECOMENDAMOS QUE EL ESPACIO LIBRE ALREDEDOR DEL SISTEMA DEBE SER COMO MÍNIMO 24" (600 mm). EL ESPACIO LIBRE PARA EL TABLERO DE CONTROL DEBERÁ ESTAR DE ACUERDO CON LOS REQUERIMIENTOS DE SEGURIDAD DE LA OSHA/NEC.
 - EL SISTEMA ESTÁ DISEÑADO DE ACUERDO CON LA ÚLTIMA EDICIÓN DE LA NFPA 99.

SYMBOL LEGEND		DRAWINGS TO CONFORM TO CURRENT REVISION OF THE FOLLOWING ANSI STANDARDS:		
		Y14.3 MULTI AND SECTIONAL VIEW DWGS		
		Y14.5 DIMENSIONING AND TOLERANCING		
TOLERANCES, UNLESS OTHERWISE SPECIFIED	SOLID EDGE DRAWING	DO NOT SCALE DRAWING FOR DIMENSIONS		
0.XX ± .05				
0.XXX ± .005				
± .1	INCH [mm]	SHEET 1 OF 2	SCALE 1:10	
CONFIDENTIAL DISCLOSURE This drawing is the property of POWEREX of the SCOTT FEZTER COMPANY and is subject to return on demand. Its contents are confidential and must not be copied or submitted to outside parties for use or examination.		AUTHOR rhuy	REVISION DATE 1/8/2024	APPROVALS ON FILE IN PLM
ITEM NO: 752391	POWEREX™ 150 PRODUCTION DRIVE, HARRISON OH 45030 (888) 769-7979			
MATERIAL: ---	DESCRIPTION LAB VAC ENCL 4.6 HP VANE 120G TANK	DRAWING NUMBER LVEVD0404xx1	REVISION A	SIZE D

LVEVD0404xx1

LAB VAC ENCL 4.6 HP VANE 120G TANK

REVISION NOTES		
DESCRIPTION	ECN	PR/NOR
RELEASE TO PRODUCTION	PXEC0481	XXXXXXXX



POWEREX™

LEGEND (Leyenda)

	CHECK VALVE (Válvula Cheque)		VACUUM PUMP (Bomba de Succión)
	BALL VALVE (Válvula de Bola)		BUTTERFLY VALVE (Válvula de Mariposa)
	INTAKE FILTER (Filtro admisión)		FLEX HOSE (Manguera flexible)
	GAUGE (Manómetro)		TEMPERTURE SWITCH (Interrupor temperatura)
	UNION (Unión)		VACUUM SWITCH/TRANSDUCER (Interrupor/Transductor vacío)
	DRAIN COCK (Grifo de Drenaje)		SOLENOID VALVE (Válvula solenoide)
	AIR LINE (Tubería de Aire)		CONDENSATE LINE (Línea de Condensado)

SYMBOL LEGEND		DRAWINGS TO CONFORM TO CURRENT REVISION OF THE FOLLOWING ANSI STANDARDS: Y14.3 MULTI AND SECTIONAL VIEW DWGS Y14.5 DIMENSIONING AND TOLERANCING	
TOLERANCES: UNLESS OTHERWISE SPECIFIED	SOLID EDGE DRAWING	DO NOT SCALE DRAWING FOR DIMENSIONS	
0.XX ± .005	INCH [mm]	SHEET 2 OF 2	SCALE 1:1
0.XXX ± .005			
± .1	CONFIDENTIAL DISCLOSURE This drawing is the property of POWEREX of the SCOTT FEZTER COMPANY and is subject to return on demand. Its contents are confidential and must not be copied or submitted to outside parties for use or examination.		APPROVALS ON FILE IN PLM
ITEM NO: 752391	AUTHOR rhuy	REVISION DATE 1/8/2024	
MATERIAL: ---	POWEREX™ 150 PRODUCTION DRIVE, HARRISON OH 45030 (888) 769-7979		
DESCRIPTION LAB VAC ENCL 4.6 HP VANE 120G TANK	DRAWING NUMBER LVEVD0404xx1	REVISION A	SIZE D