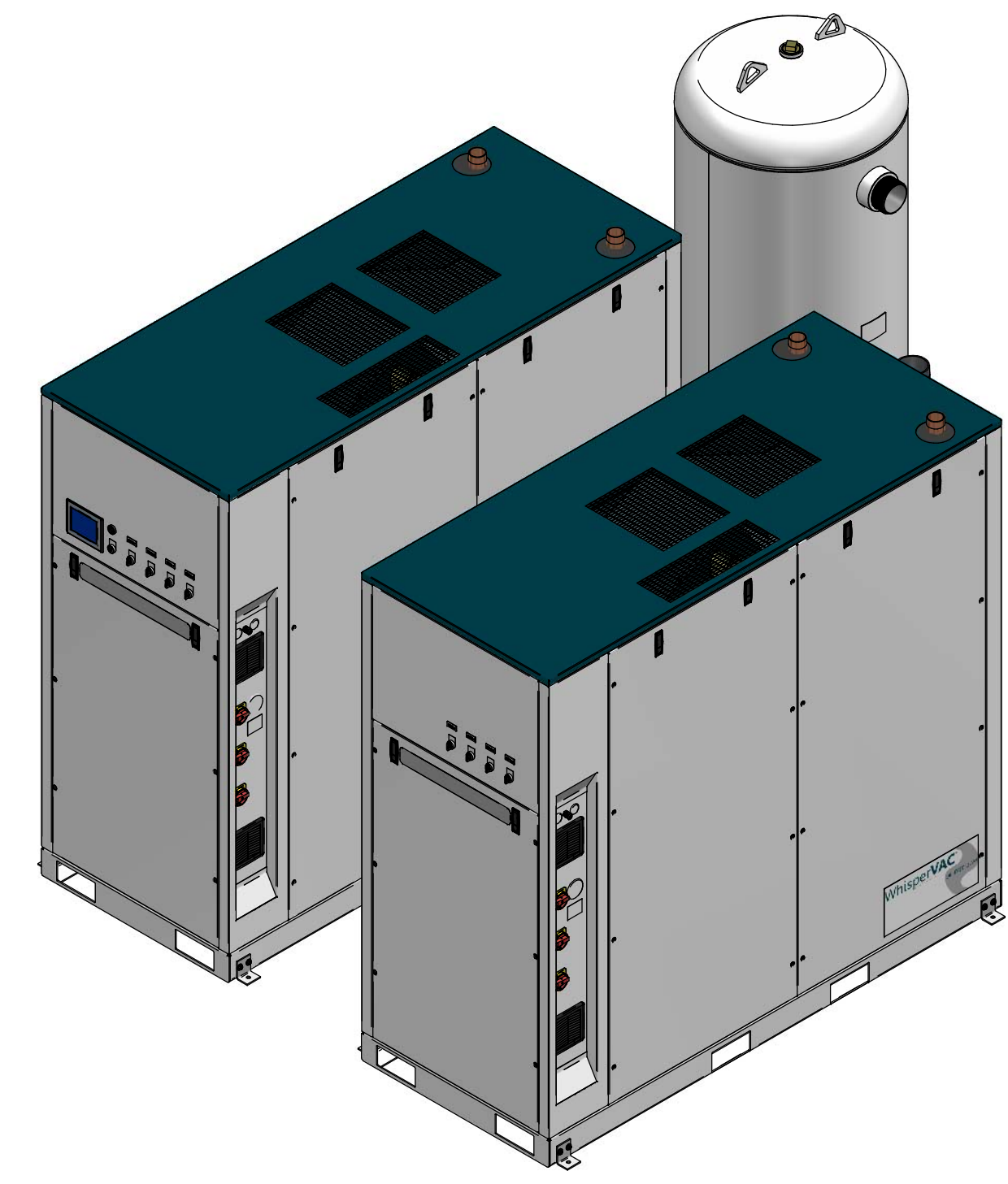


LVEVQ0505xx1

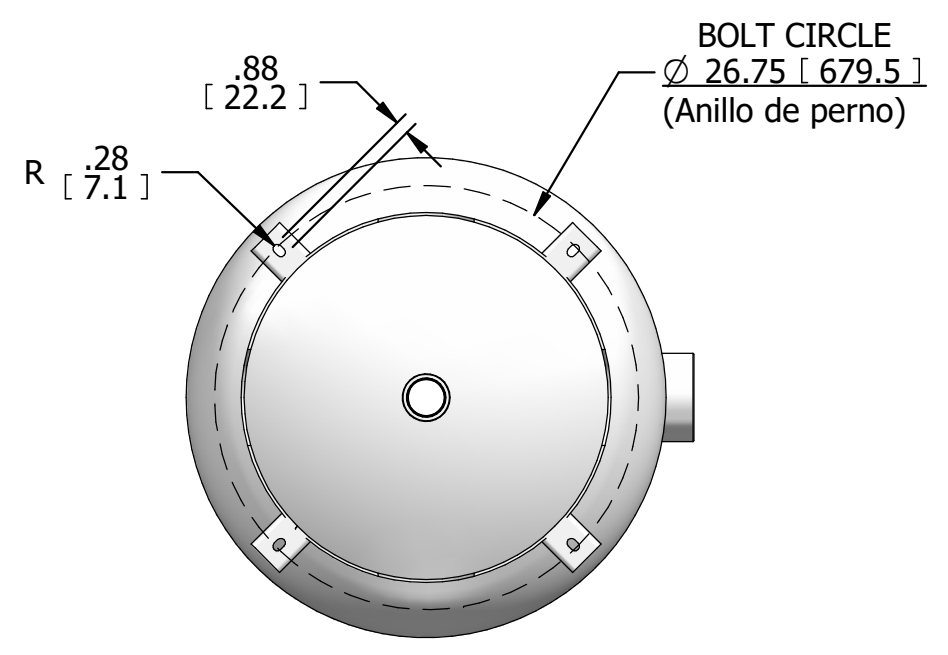
LAB VAC ENCL VANE 5 HP QUAD 200G TANK

REVISION NOTES		
DESCRIPTION	ECN	PR/NOR
RELEASE TO PRODUCTION	PXEC0481	XXXXXXXX

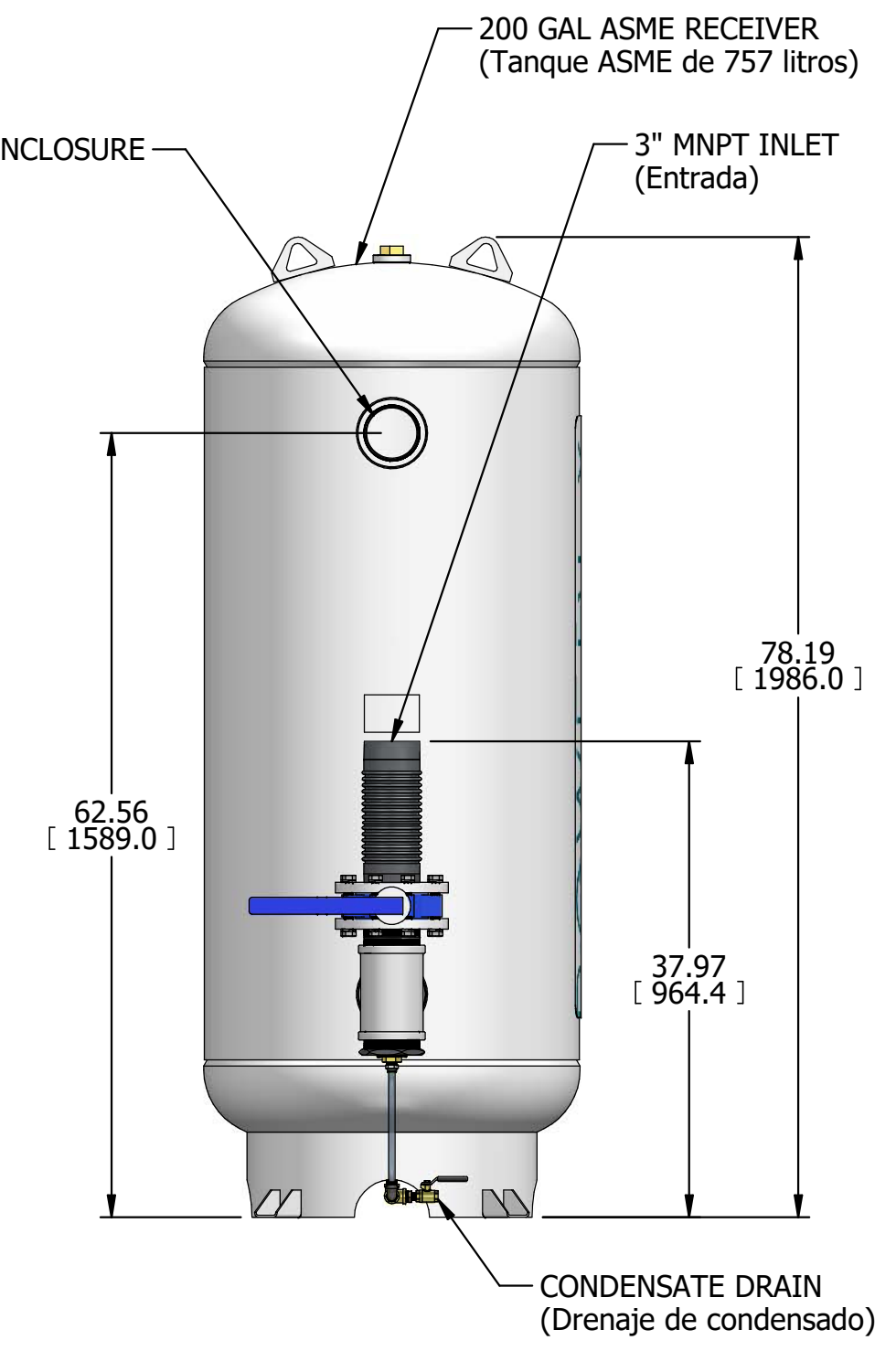
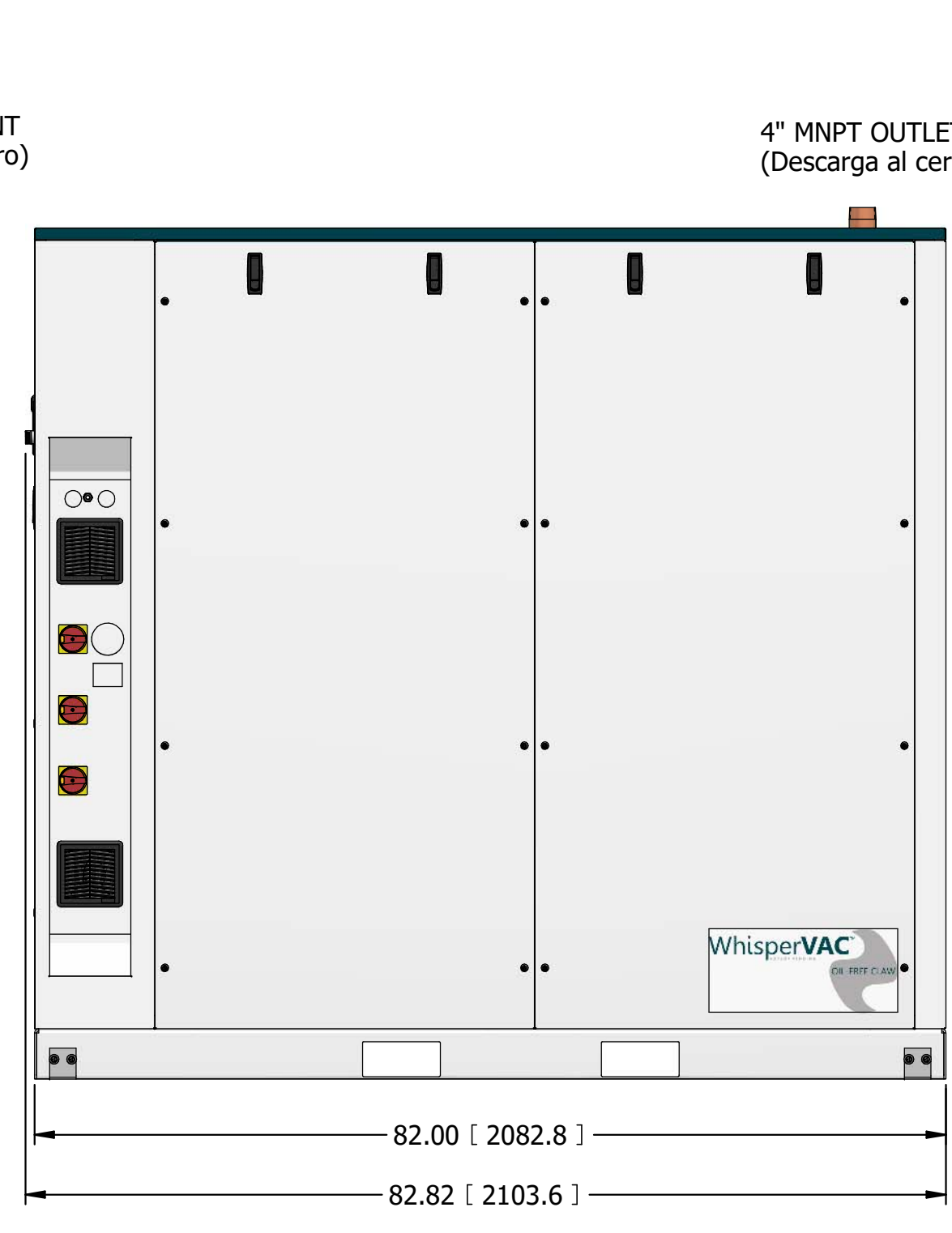
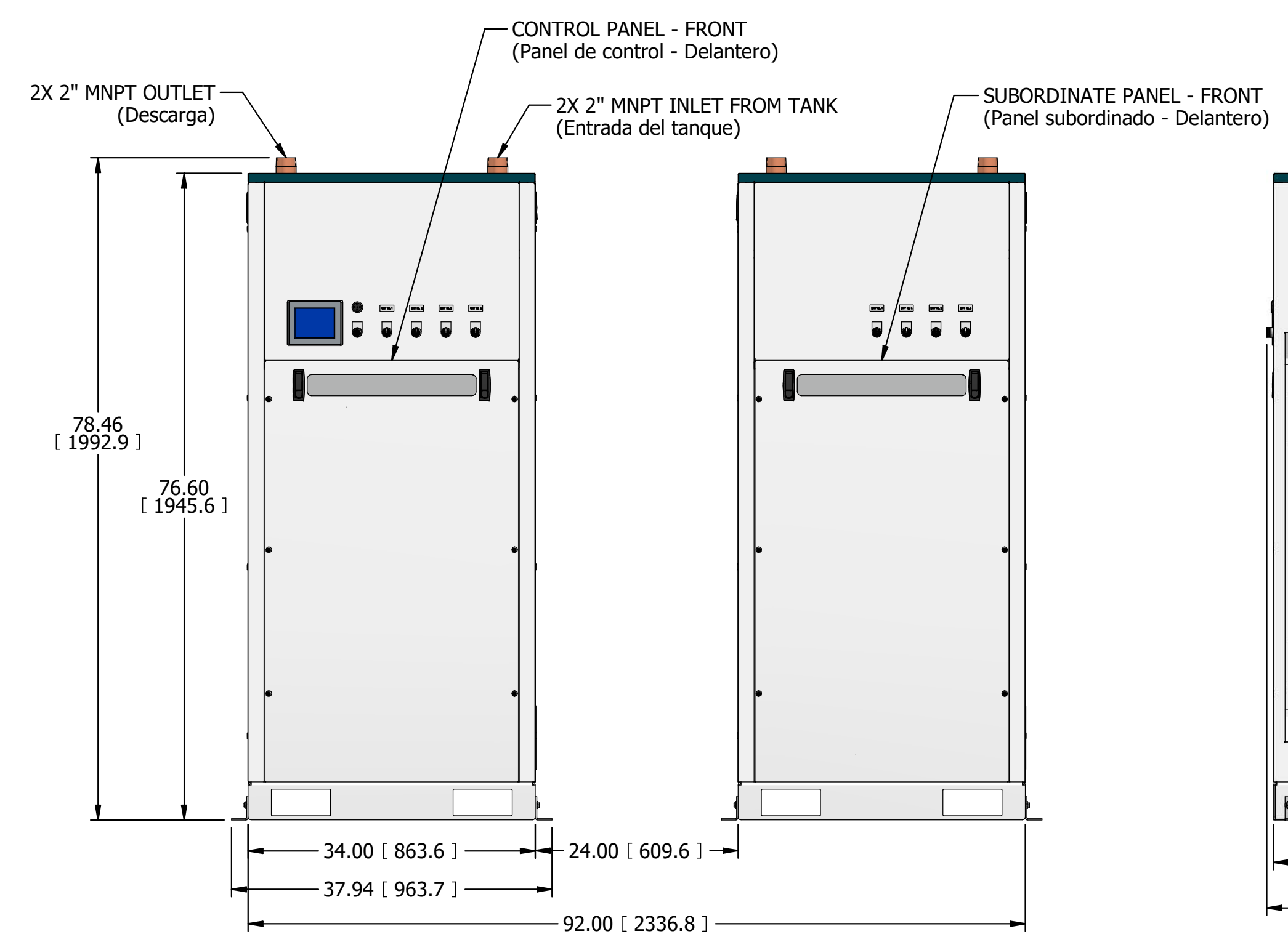
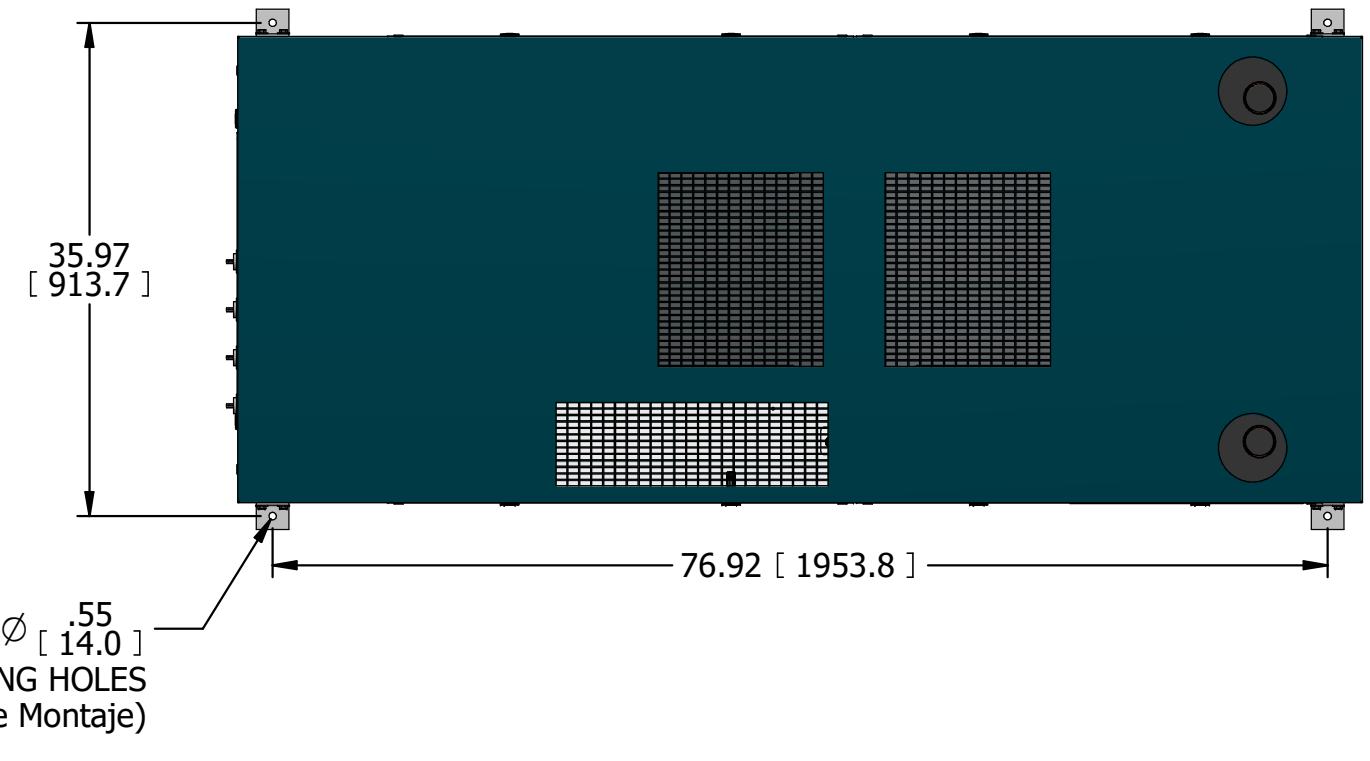
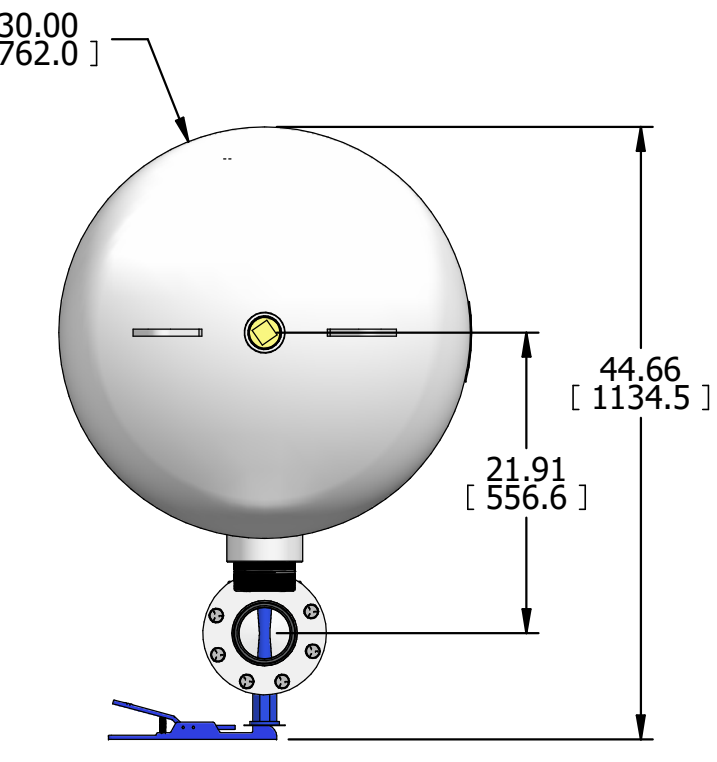
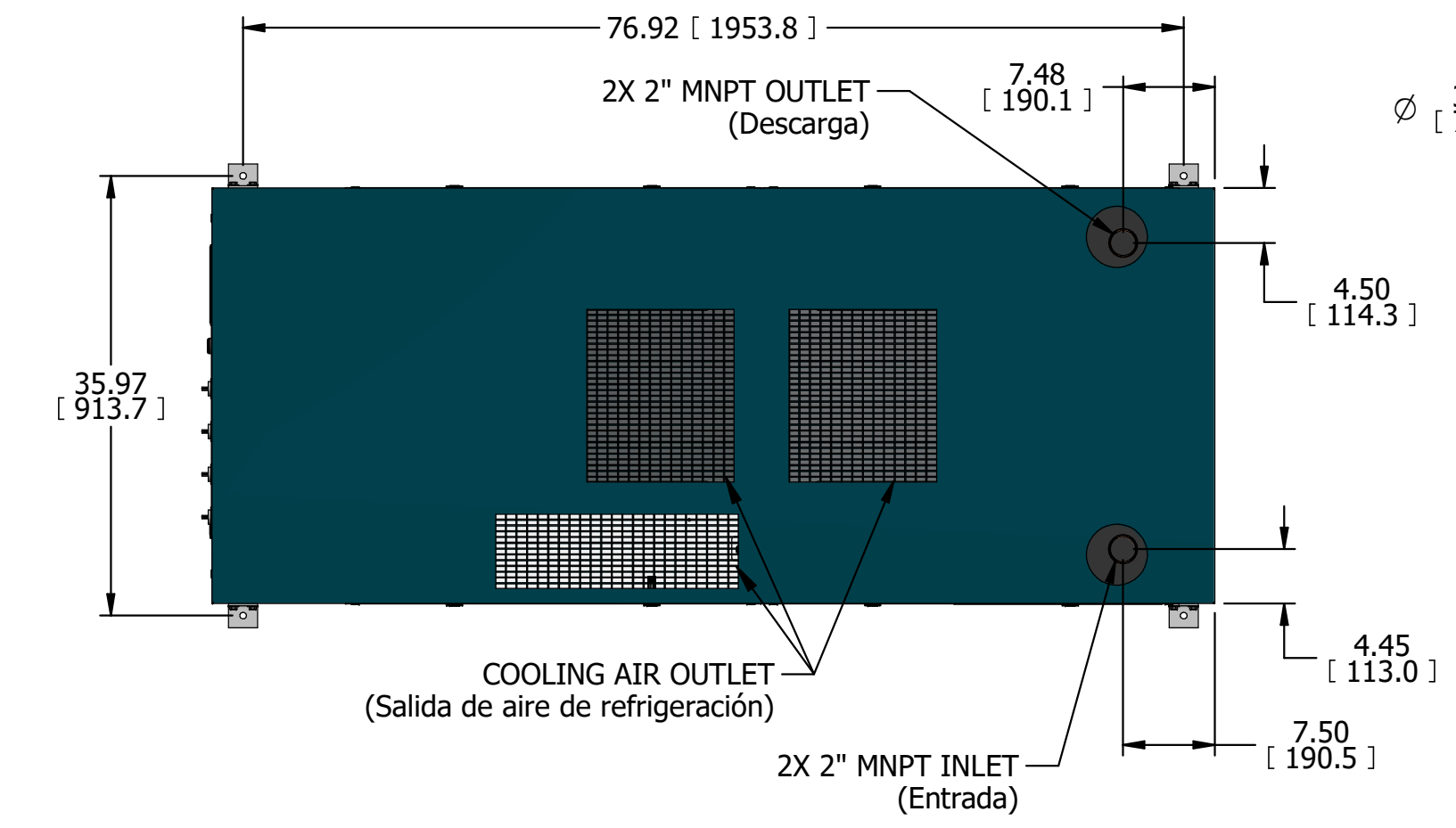
POWEREX™



ISO VIEW



4X FLOOR MOUNTING SLOTS
(Ranuras de Montaje)



- NOTES:
- APPROXIMATE WEIGHT: 3871 LBS
 - A MINIMUM OF 24" CLEARANCE IS RECOMMENDED AROUND THE ENTIRE UNIT. CLEARANCE FOR CONTROL PANEL SHALL BE IN ACCORDANCE WITH OSHA/NEC REQUIREMENTS.
 - ALL PLUMBING FROM TANK OUTLET TO ENCLOSURE INLET(S) SHALL BE FIELD-SUPPLIED.
- PESO APROXIMADO: 1756 kg
 - RECOMENDAMOS QUE EL ESPACIO LIBRE ALREDEDOR DEL SISTEMA DEBE SER COMO MÍNIMO 24" (600 mm). EL ESPACIO LIBRE PARA EL TABLERO DE CONTROL DEBERÁ ESTAR DE ACUERDO CON LOS REQUERIMIENTOS DE SEGURIDAD DE LA OSHA/NEC.
 - TODA LA PLOMERÍA DESDE LA DESCARGA DEL TANQUE HASTA LA(S) ENTRADA(S) DEL CERCADO DEBE SER SUMINISTRADA POR EL CLIENTE.

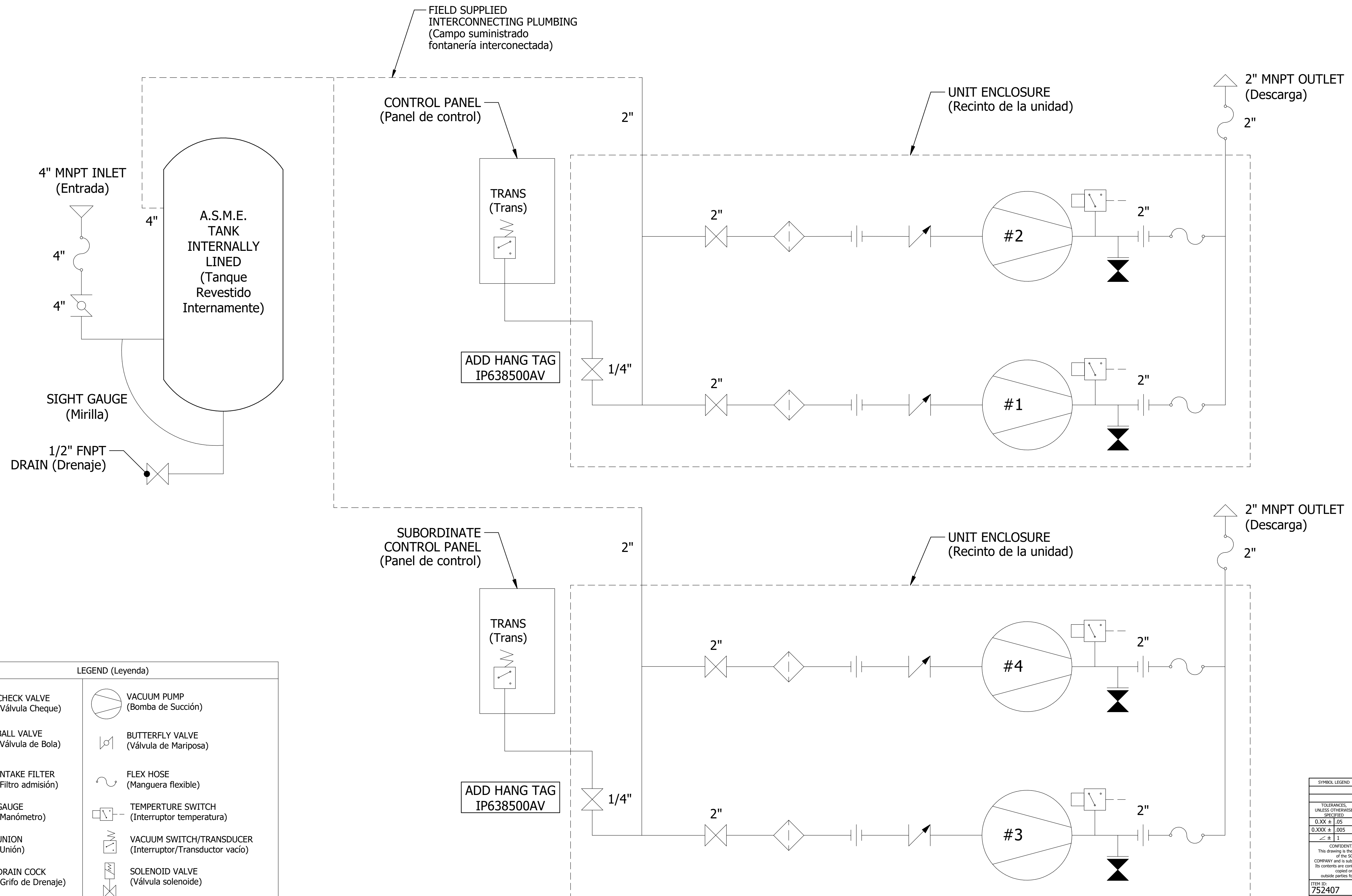
SYMBOL LEGEND		DRAWINGS TO CONFORM TO CURRENT REVISION OF THE FOLLOWING ANSI STANDARDS:		
		Y14.3 MULTI AND SECTIONAL DWGS		
		Y14.5 DIMENSIONING AND TOLERANCING		
TOLERANCES, UNLESS OTHERWISE SPECIFIED	SOLID EDGE DRAWING	DO NOT SCALE DRAWING FOR DIMENSIONS		
0.XXX ± .005				
0.XXX ± .005	INCH [mm]	SHEET 1 OF 2 SCALE 1:12		
± .1				
CONFIDENTIAL DISCLOSURE This drawing is the property of POWEREX of the SCOTT FEZTER COMPANY and is subject to return on demand. Its contents are confidential and must not be copied or submitted to outside parties for use or examination.		AUTHOR	REVISION DATE	APPROVALS ON FILE IN PLM
		SAbt	1/8/2024	
ITEM NO: 752407		POWEREX		
MATERIAL: N/A		150 PRODUCTION DRIVE, HARRISON OH 45030 (888) 769-7979		
DESCRIPTION LAB VAC ENCL VANE 5 HP QUAD 200G TANK	DRAWING NUMBER LVEVQ0505xx1	REVISION A	SIZE D	

LVEVQ0505xx1

LAB VAC ENCL VANE 5 HP QUAD 200G TANK

REVISION NOTES		
DESCRIPTION	ECN	PR/NOR
RELEASE TO PRODUCTION	PXEC0481	XXXXXXXX

POWEREX™



LEGEND (Leyenda)

	CHECK VALVE (Válvula Cheque)		VACUUM PUMP (Bomba de Succión)
	BALL VALVE (Válvula de Bola)		BUTTERFLY VALVE (Válvula de Mariposa)
	INTAKE FILTER (Filtro admisión)		FLEX HOSE (Manguera flexible)
	GAUGE (Manómetro)		TEMPERTURE SWITCH (Interruptor temperatura)
	UNION (Unión)		VACUUM SWITCH/TRANSDUCER (Interruptor/Transductor vacío)
	DRAIN COCK (Grifo de Drenaje)		SOLENOID VALVE (Válvula solenoide)
	AIR LINE (Tubería de Aire)		CONDENSATE LINE (Línea de Condensado)

SYMBOL LEGEND		DRAWINGS TO CONFORM TO CURRENT REVISION OF THE FOLLOWING ANSI STANDARDS:		
TOLERANCES UNLESS OTHERWISE SPECIFIED		Y14.3 MULTI AND SECTIONAL VIEW DWGS		
0.XX ± .005		Y14.5 DIMENSIONING AND TOLERANCING		
0.XXX ± .005		DO NOT SCALE DRAWING FOR DIMENSIONS		
± .1		SHEET 2 OF 2		
CONFIDENTIAL DISCLOSURE		SCALE 1:1		
This drawing is the property of POWEREX of the SCOTT FEZTER COMPANY and is subject to return on demand. Its contents are confidential and must not be copied or submitted to outside parties for use or examination.		AUTHOR	REVISION DATE	APPROVALS ON FILE IN PLM
ITEM NO: 752407		SABt	1/8/2024	
MATERIAL: N/A		POWEREX™		
DESCRIPTION: LAB VAC ENCL VANE 5 HP QUAD 200G TANK		150 PRODUCTION DRIVE, HARRISON OH 45030 (888) 769-7979		
DRAWING NUMBER: LVEVQ0505xx1		REVISION: A	SIZE: D	