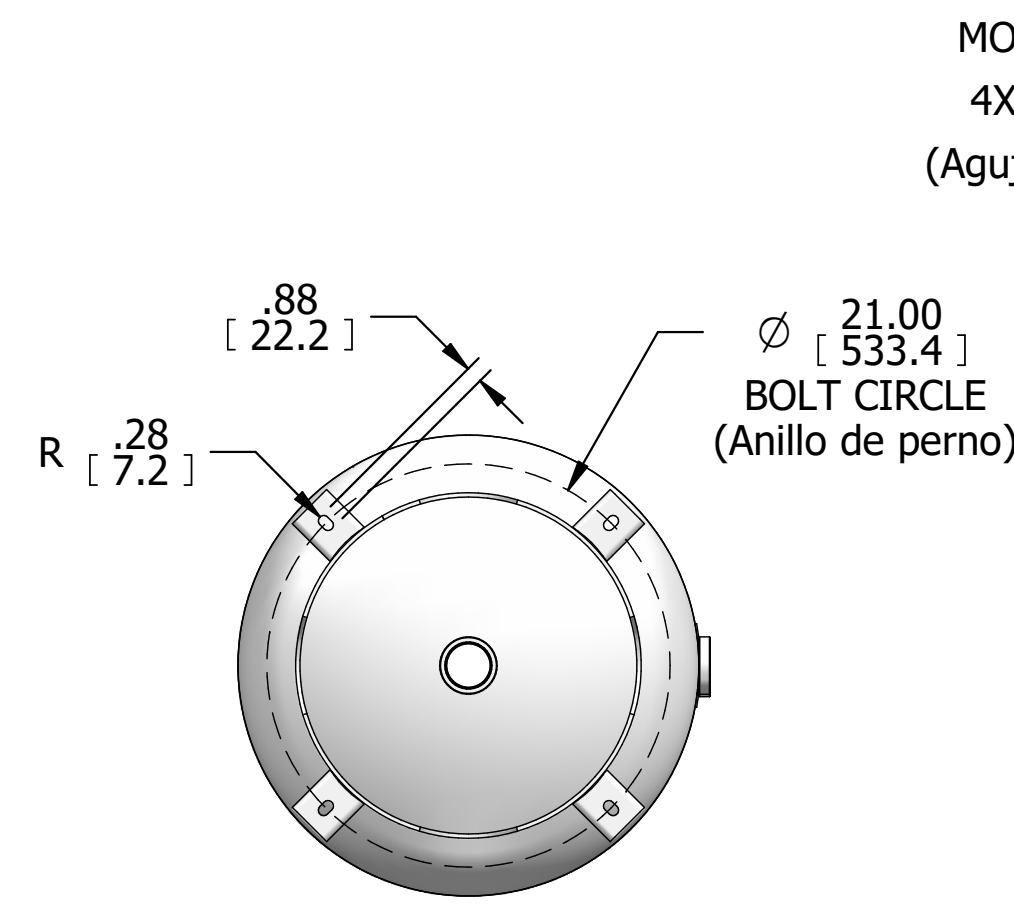


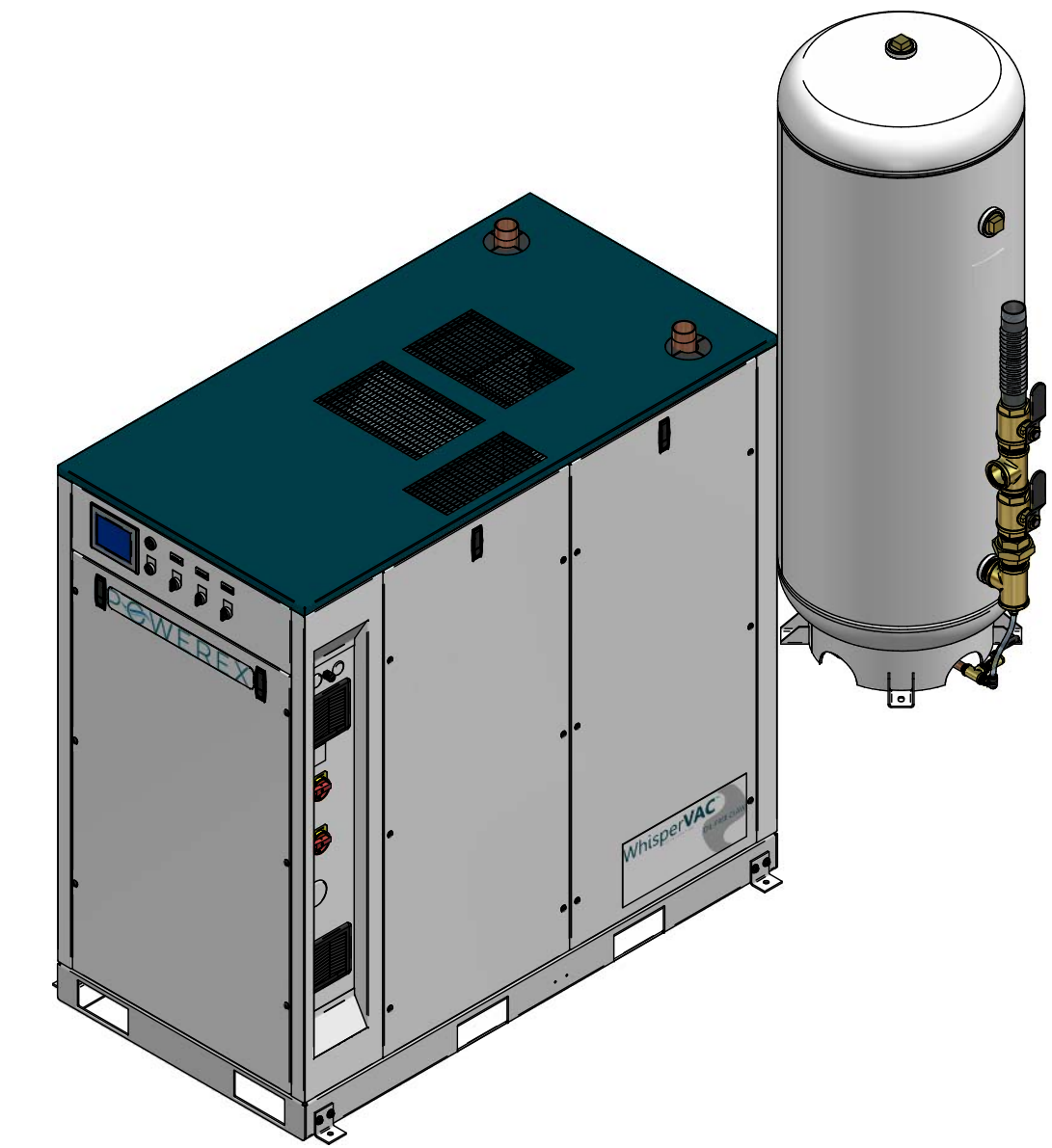
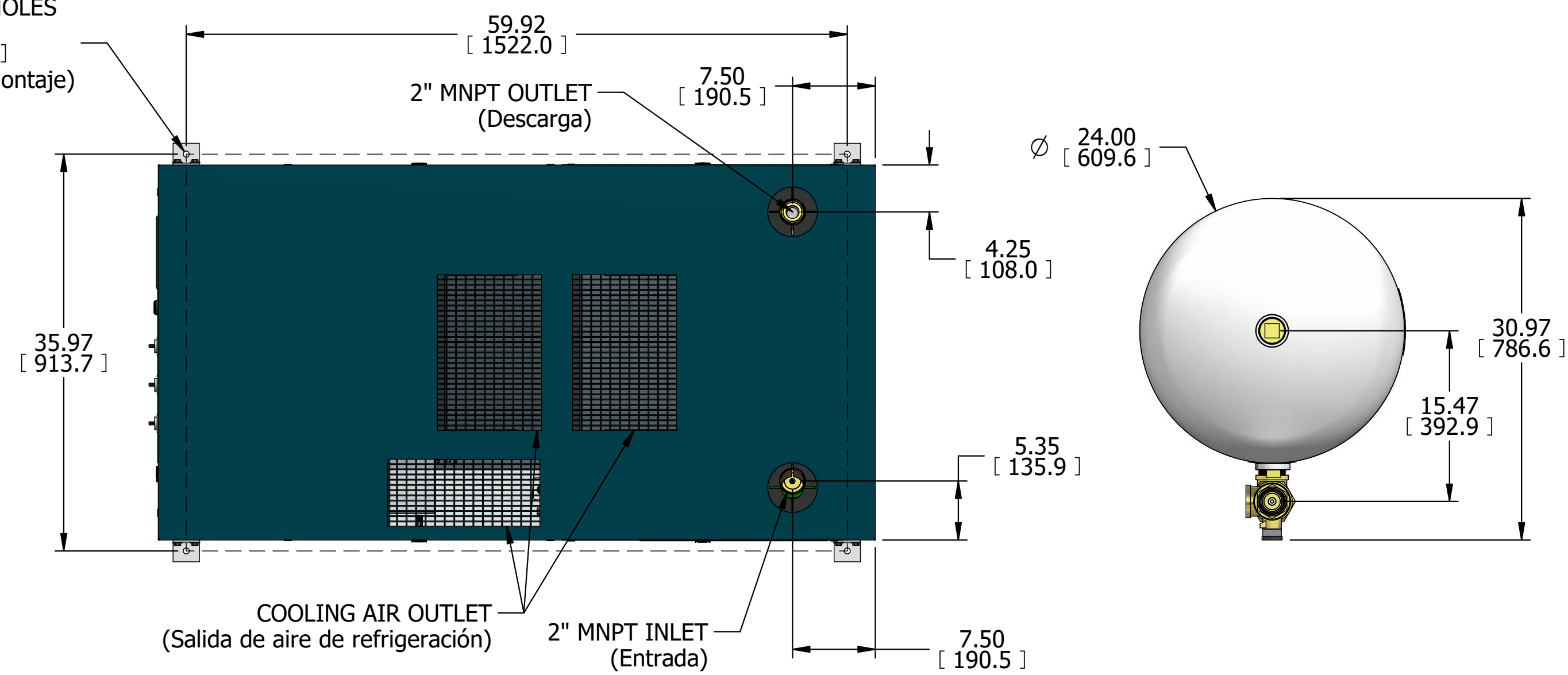
MVECD0604xx1

MVAC ENCLOSURE 6 HP DUPLEX CLAW 120G TANK

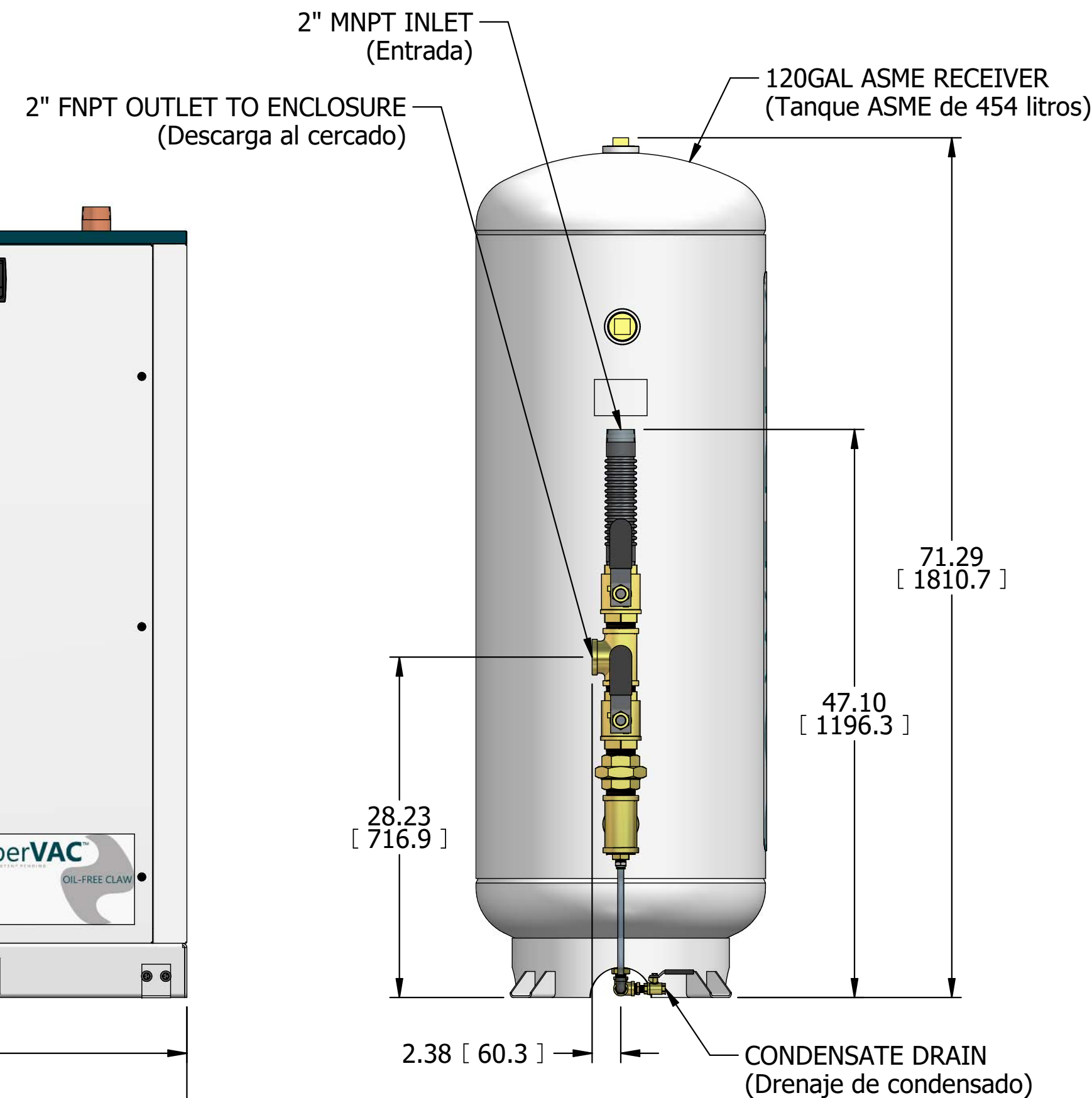
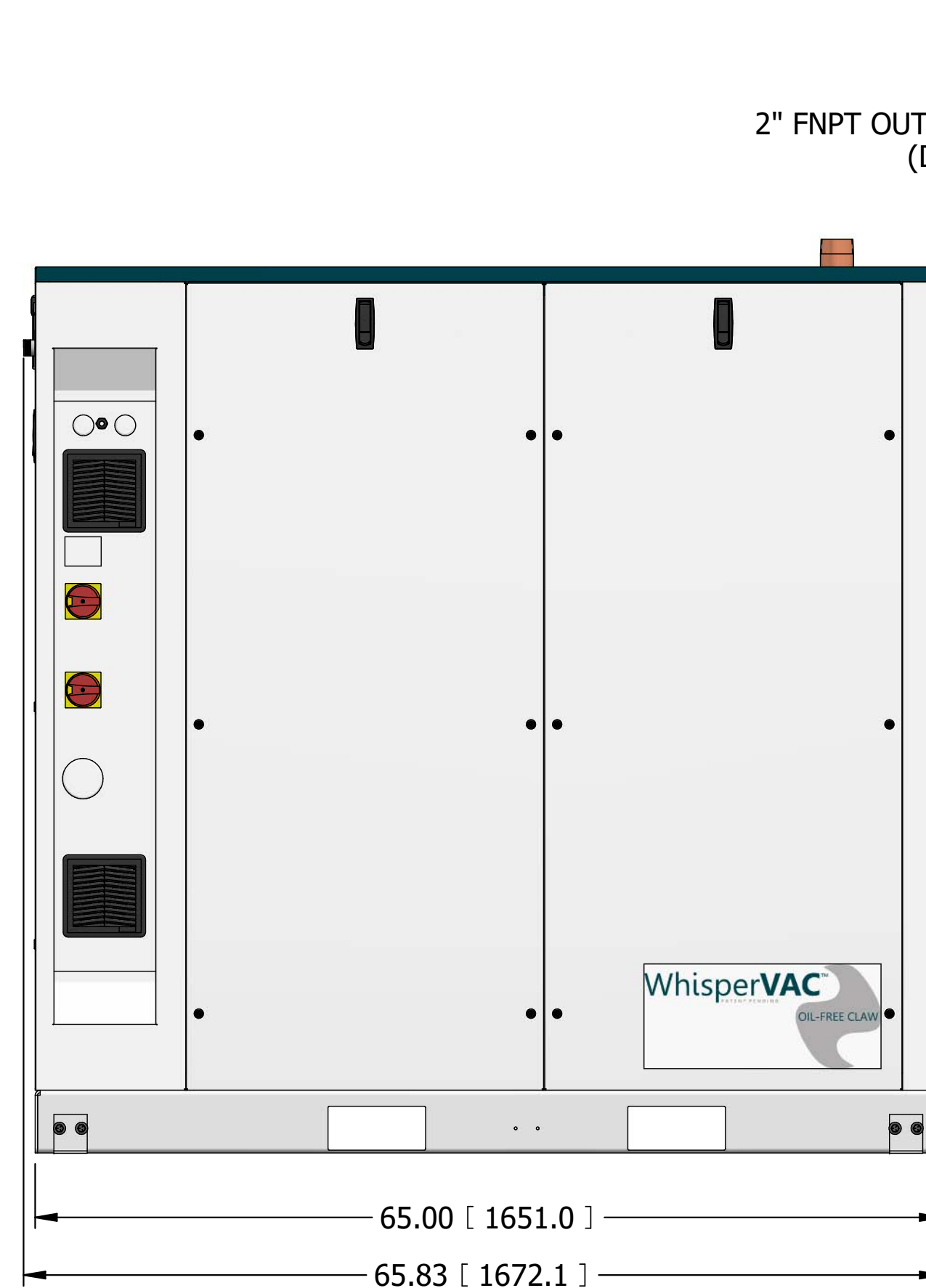
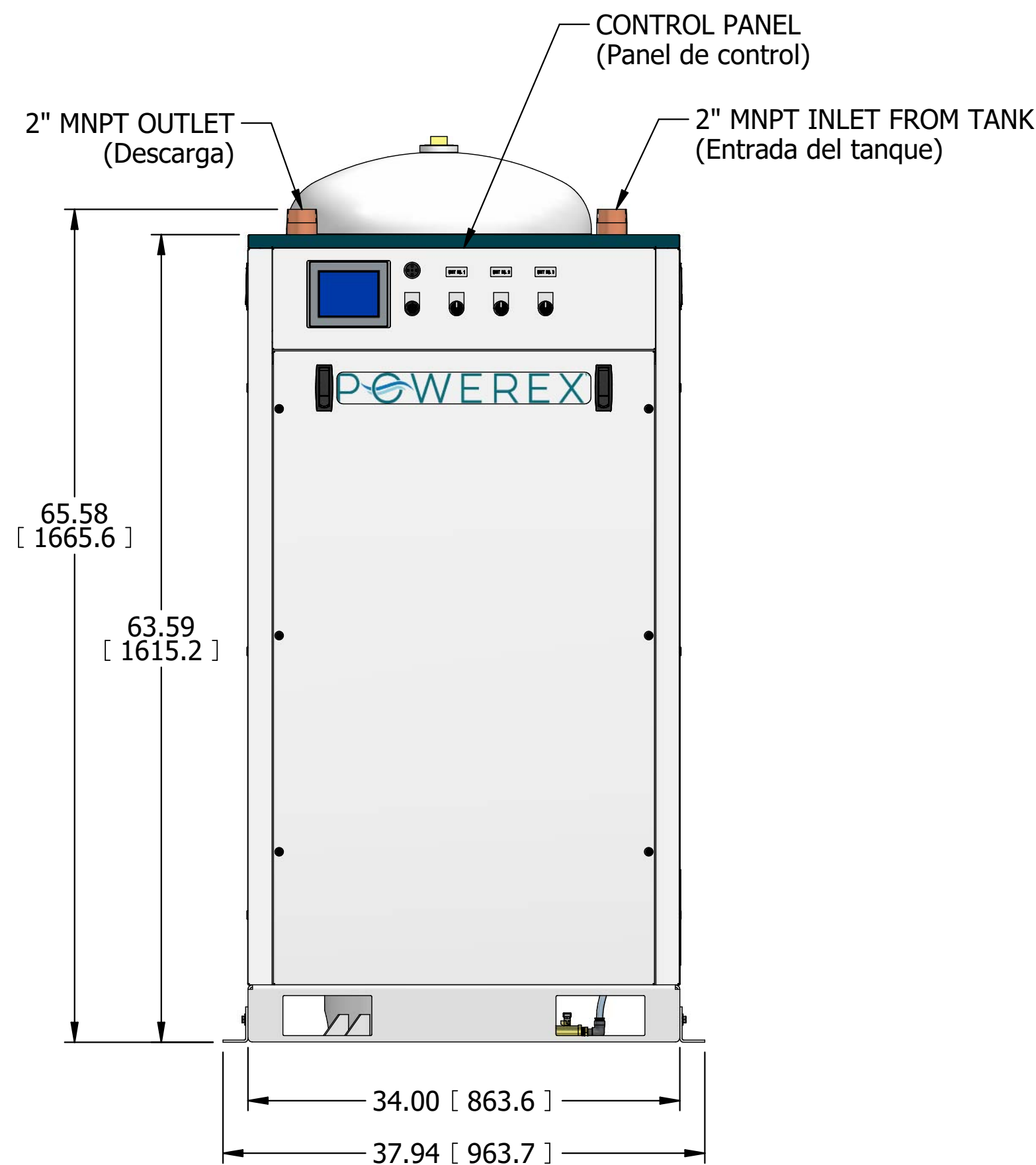
REVISION NOTES		
DESCRIPTION	ECN	PR/NOR
RELEASE TO PRODUCTION	PXEC0481	XXXXXXXX



4X FLOOR MOUNTING SLOTS
(Ranuras de Montaje)



ISO VIEW



- NOTES:
- APPROXIMATE WEIGHT: 2221 LBS
 - A MINIMUM OF 24" CLEARANCE IS RECOMMENDED AROUND THE ENTIRE UNIT. CLEARANCE FOR CONTROL PANEL SHALL BE IN ACCORDANCE WITH OSHA/NEC REQUIREMENTS.
 - ALL PLUMBING FROM TANK OUTLET TO ENCLOSURE INLET(S) SHALL BE FIELD-SUPPLIED.
 - SYSTEM DESIGNED IN COMPLIANCE WITH U.S. NFPA '99, LATEST EDITION.
1. PESO APROXIMADO: 1007 kg
2. RECOMENDAMOS QUE EL ESPACIO LIBRE ALREDEDOR DEL SISTEMA DEBE SER COMO MÍNIMO 24" (600 mm). EL ESPACIO LIBRE PARA EL TABLERO DE CONTROL DEBERÁ ESTAR DE ACUERDO CON LOS REQUERIMIENTOS DE SEGURIDAD DE LA OSHA/NEC.
3. TODA LA PLOMERÍA DESDE LA DESCARGA DEL TANQUE HASTA LA(S) ENTRADA(S) DEL CERCADO DEBE SER SUMINISTRADA POR EL CLIENTE.
4. EL SISTEMA ESTÁ DISEÑADO DE ACUERDO CON LA ÚLTIMA EDICIÓN DE LA NFPA 99.

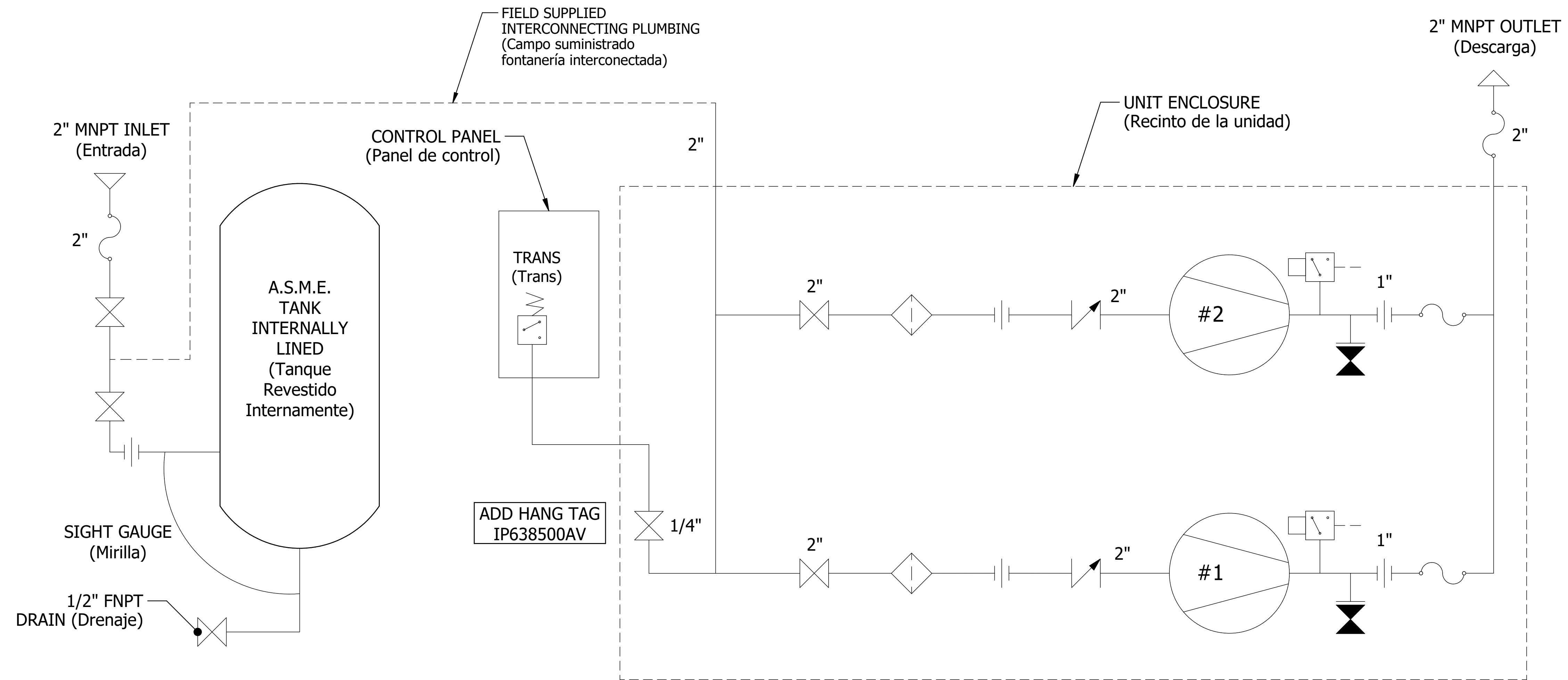
SYMBOL LEGEND		DRAWINGS TO CONFORM TO CURRENT REVISION OF THE FOLLOWING STANDARDS:		
		Y14.1 MULTI AND SECTIONAL VIEW DWGS		
		Y14.3 DIMENSIONING AND TOLERANCING		
TOLERANCES, UNLESS OTHERWISE SPECIFIED:	SOLID EDGE DRAWING	DO NOT SCALE DRAWING FOR DIMENSIONS		
0.XX ± .005	INCH [mm]	SHEET 1 OF 2 SCALE 1:10		
0.XXX ± .005				
± .1				
CONFIDENTIAL DISCLOSURE		AUTHOR	REVISION DATE	APPROVALS ON FILE IN PLM
This drawing is the property of POWEREX of the SCOTT FEZTER COMPANY and is subject to return on demand. Its contents are confidential and must not be copied or submitted to outside parties for use or examination.		aturner	1/12/2024	
ITEM NO: 752309		POWEREX		
MATERIAL: ---		150 PRODUCTION DRIVE, HARRISON OH 45030 (888) 769-7929		
DESCRIPTION	DRAWING NUMBER	REVISION	SIZE	
MVAC ENCLOSURE 6 HP DUPLEX CLAW 120G TANK	MVECD0604xx1	A	D	

POWEREX™

MVECD0604xx1

MVAC ENCLOSURE 6 HP DUPLEX CLAW 120G TANK

REVISION NOTES		
DESCRIPTION	ECN	PR/NOR
RELEASE TO PRODUCTION	PXEC0481	XXXXXXXX



POWEREX™

LEGEND (Leyenda)

	CHECK VALVE (Válvula Cheque)		VACUUM PUMP (Bomba de Succión)
	BALL VALVE (Válvula de Bola)		BUTTERFLY VALVE (Válvula de Mariposa)
	INTAKE FILTER (Filtro admisión)		FLEX HOSE (Manguera flexible)
	GAUGE (Manómetro)		TEMPERTURE SWITCH (Interruptor temperatura)
	UNION (Unión)		VACUUM SWITCH/TRANSDUCER (Interruptor/Transductor vacío)
	DRAIN COCK (Grifo de Drenaje)		SOLENOID VALVE (Válvula solenoide)
	AIR LINE (Tubería de Aire)		CONDENSATE LINE (Línea de Condensado)

SYMBOL LEGEND		DRAWINGS TO CONFORM TO CURRENT REVISION OF THE FOLLOWING STANDARDS:	
		Y14.3 MULTI AND SECTIONAL VIEW DWGS Y14.5 DIMENSIONING AND TOLERANCING	
TOLERANCES, UNLESS OTHERWISE SPECIFIED:		DO NOT SCALE DRAWING FOR DIMENSIONS	
0.XX ± 0.05	SOLID EDGE DRAWING		
0.XXX ± 0.005	INCH [mm]	SHEET 2 OF 2	SCALE 1:1
± 1			
CONFIDENTIAL DISCLOSURE		AUTHOR	REVISION DATE
This drawing is the property of POWEREX of the SCOTT FEZTER COMPANY and is subject to return on demand. Its contents are confidential and must not be copied or submitted to outside parties for use or examination.		aturner	1/12/2024
ITEM NO: 752309		APPROVALS ON FILE IN PLM	
MATERIAL: ---		POWEREX™	
DESCRIPTION: MVAC ENCLOSURE 6 HP DUPLEX CLAW 120G TANK		150 PRODUCTION DRIVE, HARRISON OH 45030 (888) 769-7979	
DRAWING NUMBER: MVECD0604xx1		REVISION: A	SIZE: D