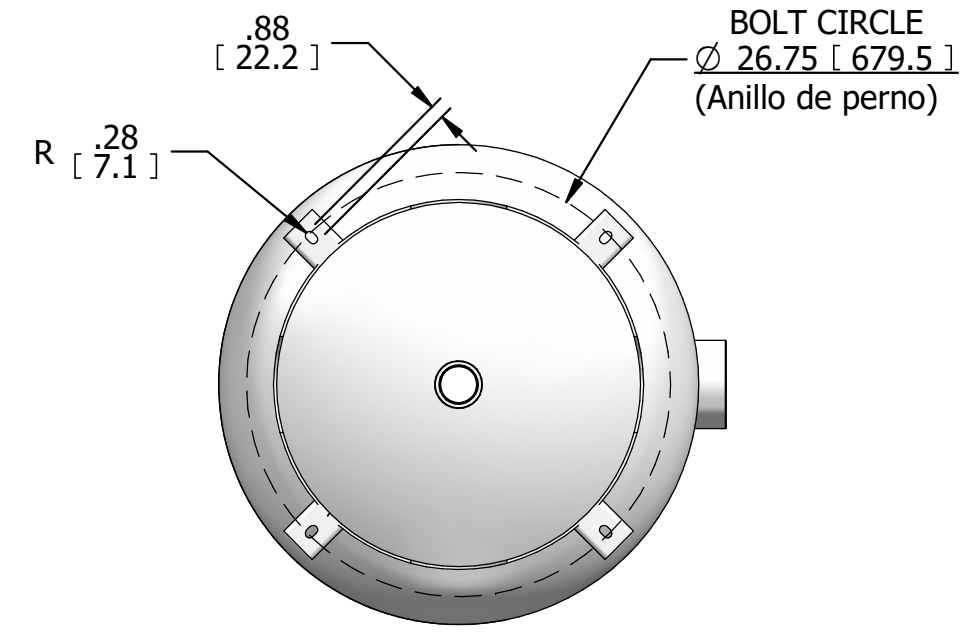


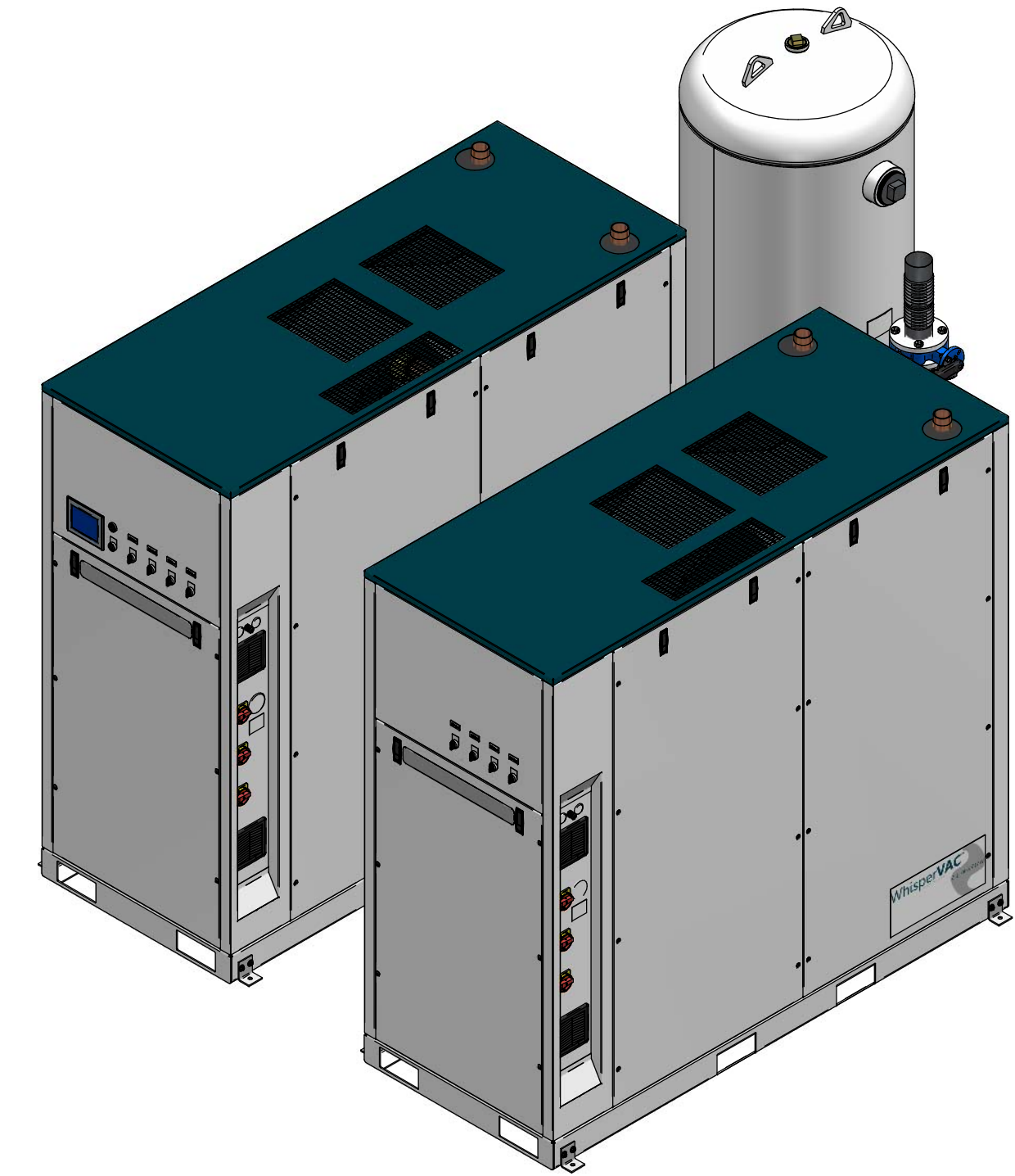
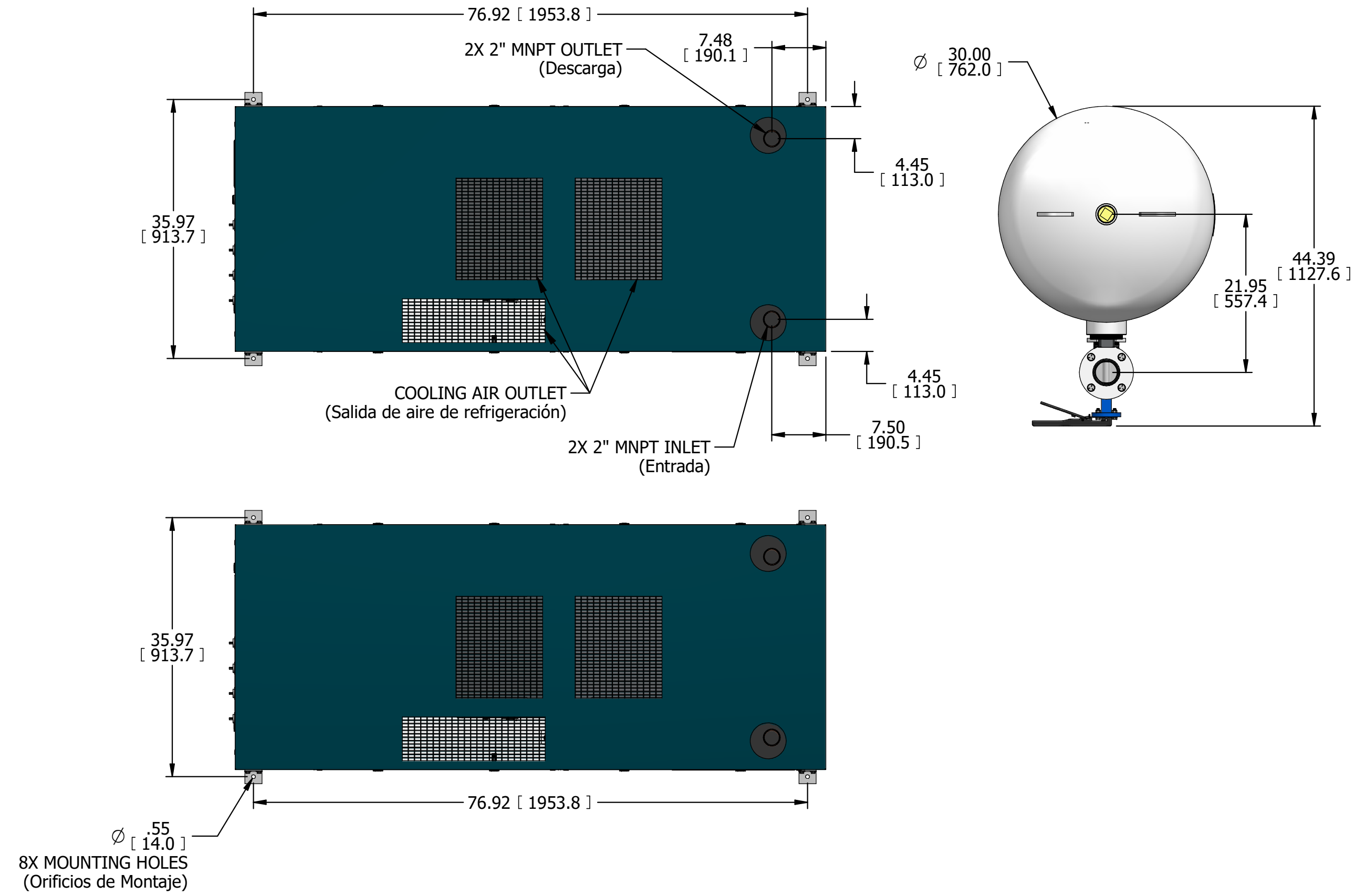
MVEVT0755xx1

MVAC ENCLOSURE VANE 7.5 HP TRI 200G TANK

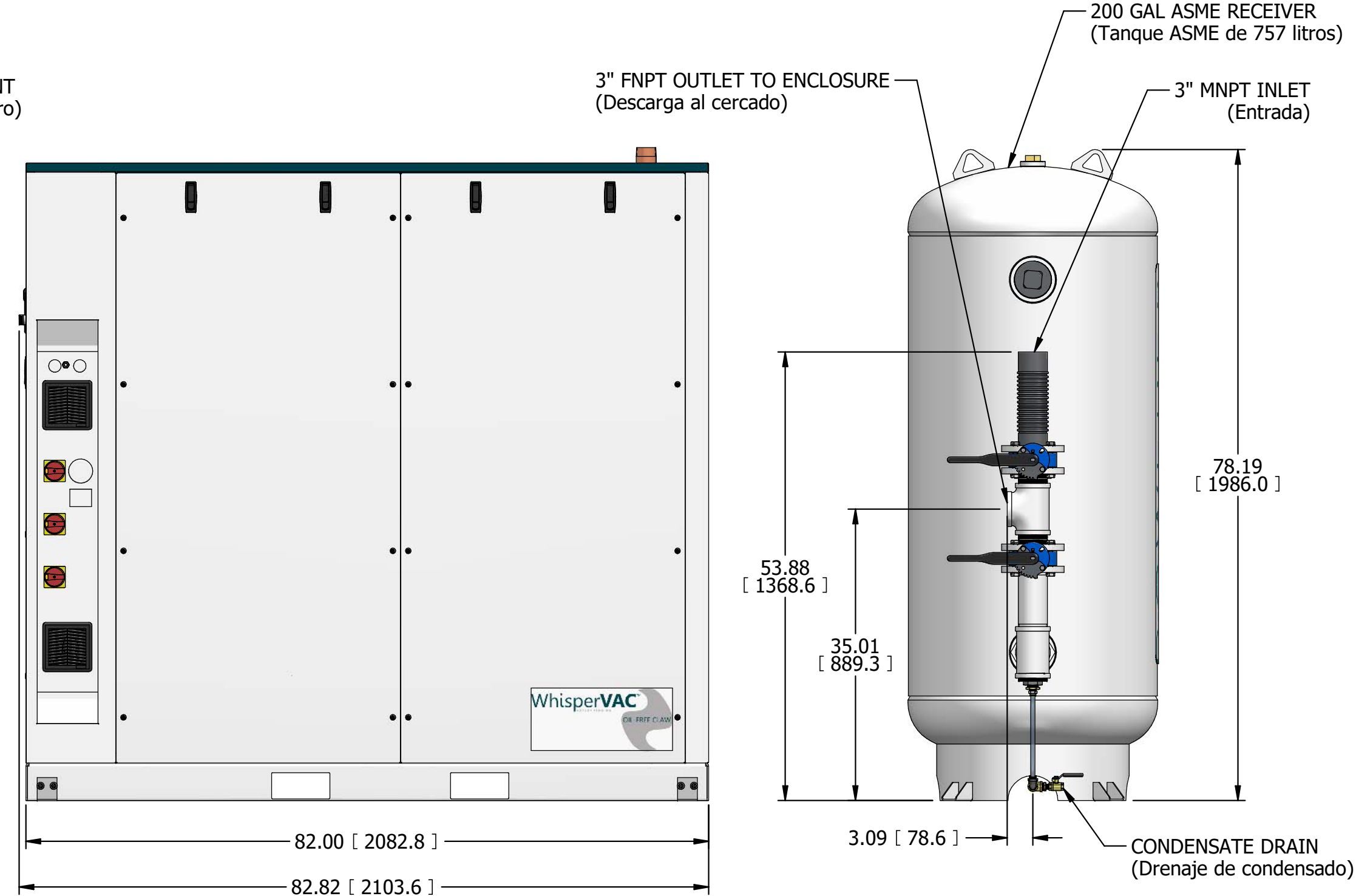
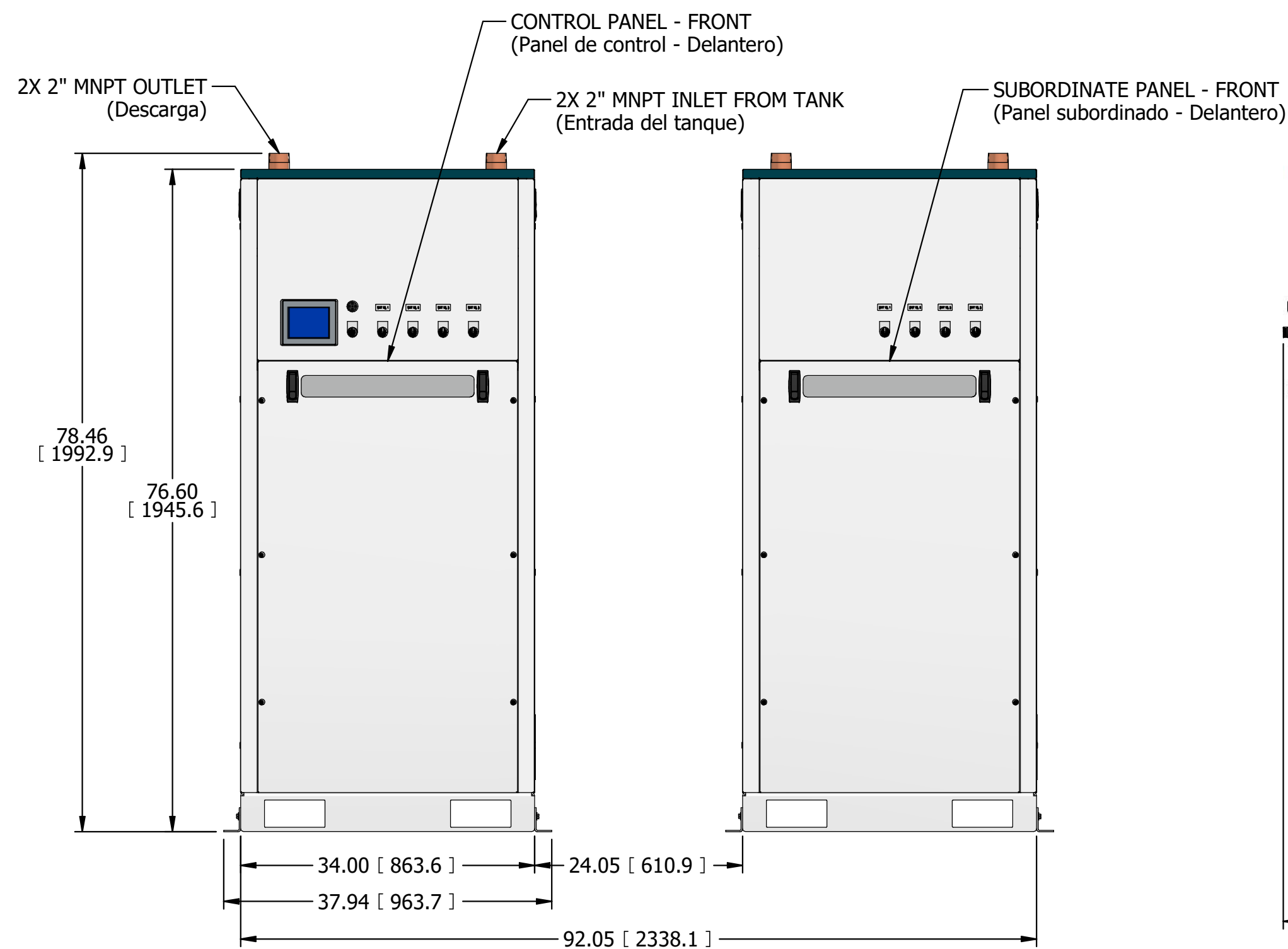
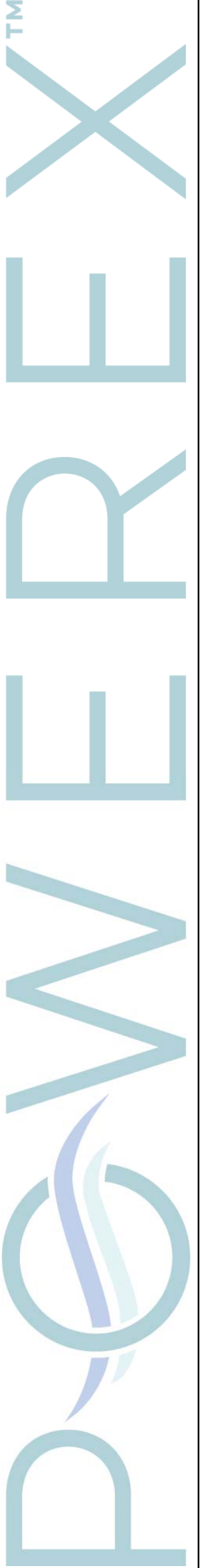
REVISION NOTES		
DESCRIPTION	ECN	PR/NOR
RELEASE TO PRODUCTION	PXEC0481	XXXXXXXX



4X FLOOR MOUNTING SLOTS
(Ranuras de Montaje)



ISO VIEW



- NOTES:
- APPROXIMATE WEIGHT: 4182 LBS
 - A MINIMUM OF 24" CLEARANCE IS RECOMMENDED AROUND THE ENTIRE UNIT. CLEARANCE FOR CONTROL PANEL SHALL BE IN ACCORDANCE WITH OSHA/NEC REQUIREMENTS.
 - ALL PLUMBING FROM TANK OUTLET TO ENCLOSURE INLET(S) SHALL BE FIELD-SUPPLIED.
 - SYSTEM DESIGNED IN COMPLIANCE WITH U.S. NFPA '99, LATEST EDITION.
- PESO APROXIMADO: 1897 kg
 - RECOMENDAMOS QUE EL ESPACIO LIBRE ALREDEDOR DEL SISTEMA DEBE SER COMO MÍNIMO 24" (600 mm). EL ESPACIO LIBRE PARA EL TABLERO DE CONTROL DEBERÁ ESTAR DE ACUERDO CON LOS REQUERIMIENTOS DE SEGURIDAD DE LA OSHA/NEC.
 - TODA LA PLOMERÍA DESDE LA DESCARGA DEL TANQUE HASTA LA(S) ENTRADA(S) DEL CERCADO DEBE SER SUMINISTRADA POR EL CLIENTE.
 - EL SISTEMA ESTÁ DISEÑADO DE ACUERDO CON LA ÚLTIMA EDICIÓN DE LA NFPA 99.

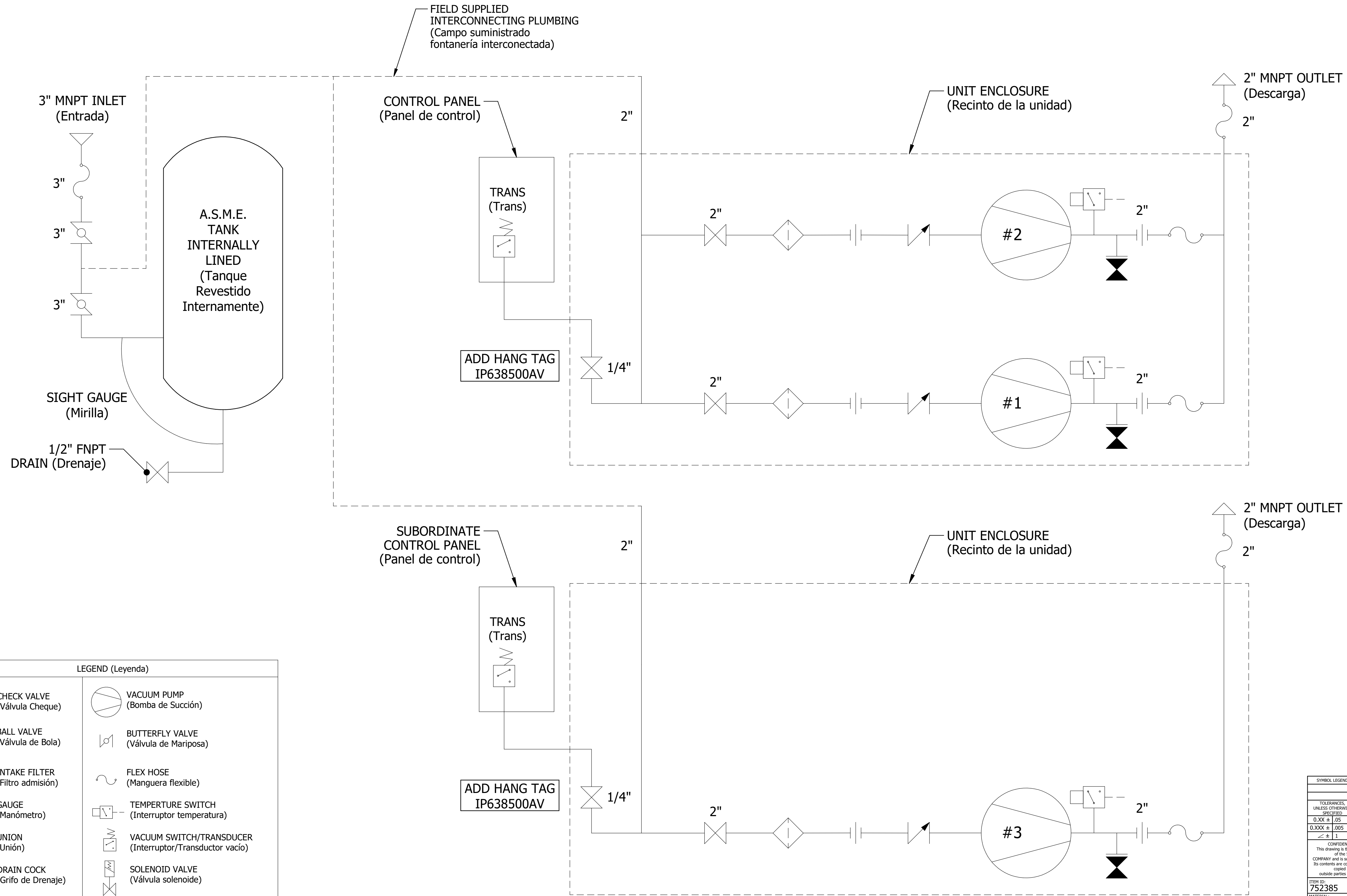
SYMBOL LEGEND		DRAWINGS TO CONFORM TO CURRENT REVISION OF THE FOLLOWING AISC STANDARDS:	
		Y14.1 MULTI AND SECTIONAL VIEW DWGS	Y14.5 DIMENSIONING AND TOLERANCING
TOLERANCES, UNLESS OTHERWISE SPECIFIED	SOLID EDGE DRAWING	DO NOT SCALE DRAWING FOR DIMENSIONS	
0.XXX ± .005			
0.XXX ± .005	INCH [mm]	SHEET 1 OF 2	SCALE 1:12
± .1			
CONFIDENTIAL DISCLOSURE This drawing is the property of POWEREX of the SCOTT FEZTER COMPANY and is subject to return on demand. Its contents are confidential and must not be copied or submitted to outside parties for use or examination.		AUTHOR	REVISION DATE
		mheitfeld	1/8/2024
ITEM NO: 752385		APPROVALS ON FILE IN PLM	
MATERIAL: N/A		POWEREX	
DESCRIPTION: MVAC ENCLOSURE VANE 7.5 HP TRI 200G TANK		150 PRODUCTION DRIVE, HARRISON OH 45030 (888) 769-7979	
DRAWING NUMBER	REVISION	SIZE	
MVEVT0755xx1	A	D	

MVEVT0755xx1

MVAC ENCLOSURE VANE 7.5 HP TRI 200G TANK

REVISION NOTES		
DESCRIPTION	ECN	PR/NOR
RELEASE TO PRODUCTION	PXEC0481	XXXXXXXX

POWEREX™



LEGEND (Leyenda)

	CHECK VALVE (Válvula Cheque)		VACUUM PUMP (Bomba de Succión)
	BALL VALVE (Válvula de Bola)		BUTTERFLY VALVE (Válvula de Mariposa)
	INTAKE FILTER (Filtro admisión)		FLEX HOSE (Manguera flexible)
	GAUGE (Manómetro)		TEMPERATURE SWITCH (Interruptor temperatura)
	UNION (Unión)		VACUUM SWITCH/TRANSDUCER (Interruptor/Transductor vacío)
	DRAIN COCK (Grifo de Drenaje)		SOLENOID VALVE (Válvula solenoide)
	AIR LINE (Tubería de Aire)		CONDENSATE LINE (Línea de Condensado)

SYMBOL LEGEND		DRAWINGS TO CONFORM TO CURRENT REVISION OF THE FOLLOWING ANSI STANDARDS:	
TOLERANCES, UNLESS OTHERWISE SPECIFIED:		Y14.3 MULTIVIEW AND SECTIONAL VIEW DWGS	
0.XXX ± .005		Y14.5 DIMENSIONING AND TOLERANCING	
± .1		DO NOT SCALE DRAWING FOR DIMENSIONS	
INCH [mm]		SHEET 2 OF 2 SCALE 1:1	
CONFIDENTIAL DISCLOSURE: This drawing is the property of POWEREX of the SCOTT FEZTER COMPANY and is subject to return on demand. Its contents are confidential and must not be copied or submitted to outside parties for use or examination.			
ITEM NO: 752385		AUTHOR: mheitfeld	
MATERIAL: N/A		REVISION DATE: 1/8/2024	
DESCRIPTION: MVAC ENCLOSURE VANE 7.5 HP TRI 200G TANK		APPROVALS ON FILE IN PLM	
DRAWING NUMBER: MVEVT0755xx1		REVISION: A	
SIZE: A		D	