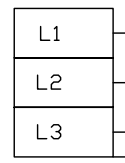
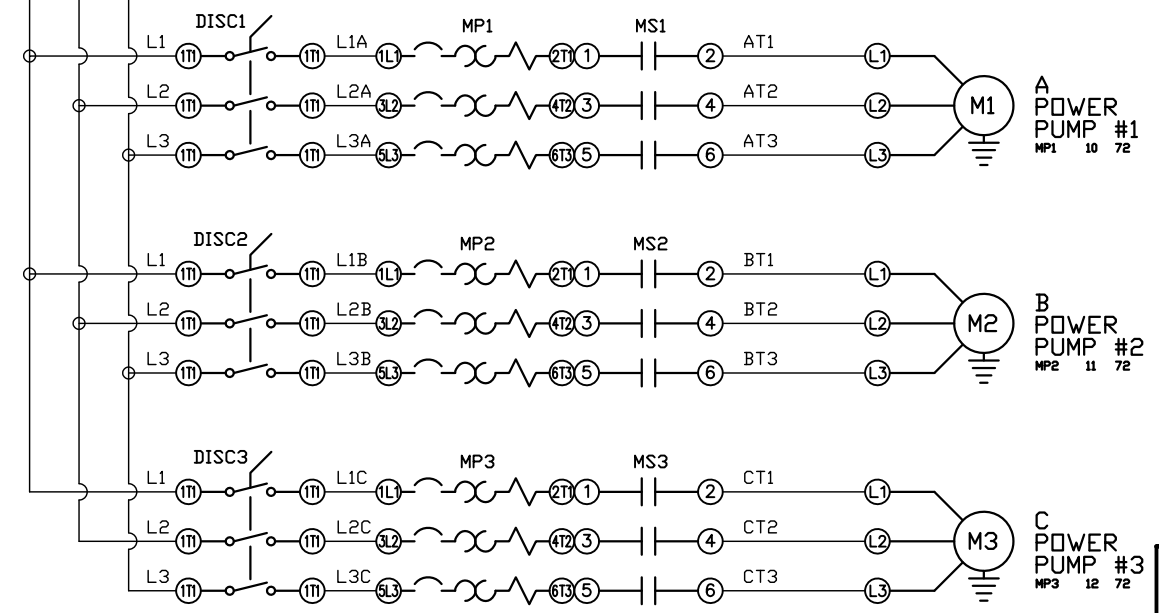


REV	REVISION	DATE	ECN	NAME	CHKD
B-1	RELEASE TO PRODUCTION	01/05/24	PXEC0481	KMD	JRD



FIELD FURNISHED DISCONNECT WITH BRANCH CIRCUIT PROTECTION IS REQUIRED  
SEE NOTES ON DATA PAGE D-1



OPTIONAL:



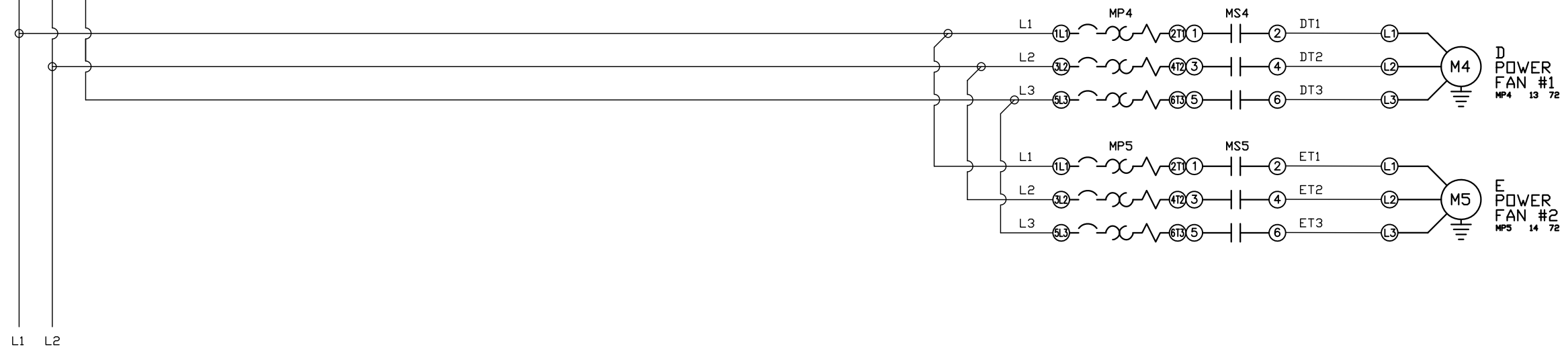
CONFIDENTIAL DISCLOSURE:  
This drawing is the property of POWEREX, INC. of the SCOTT FETZER COMPANY and subject to return on demand. Its contents are confidential and must not be copied or submitted to outside parties for use or examination.

DRAWN BY	CHECKED BY	ENGINEERING APPROVAL
KMD	JRD	KMD
01/05/24	01/05/24	01/05/24

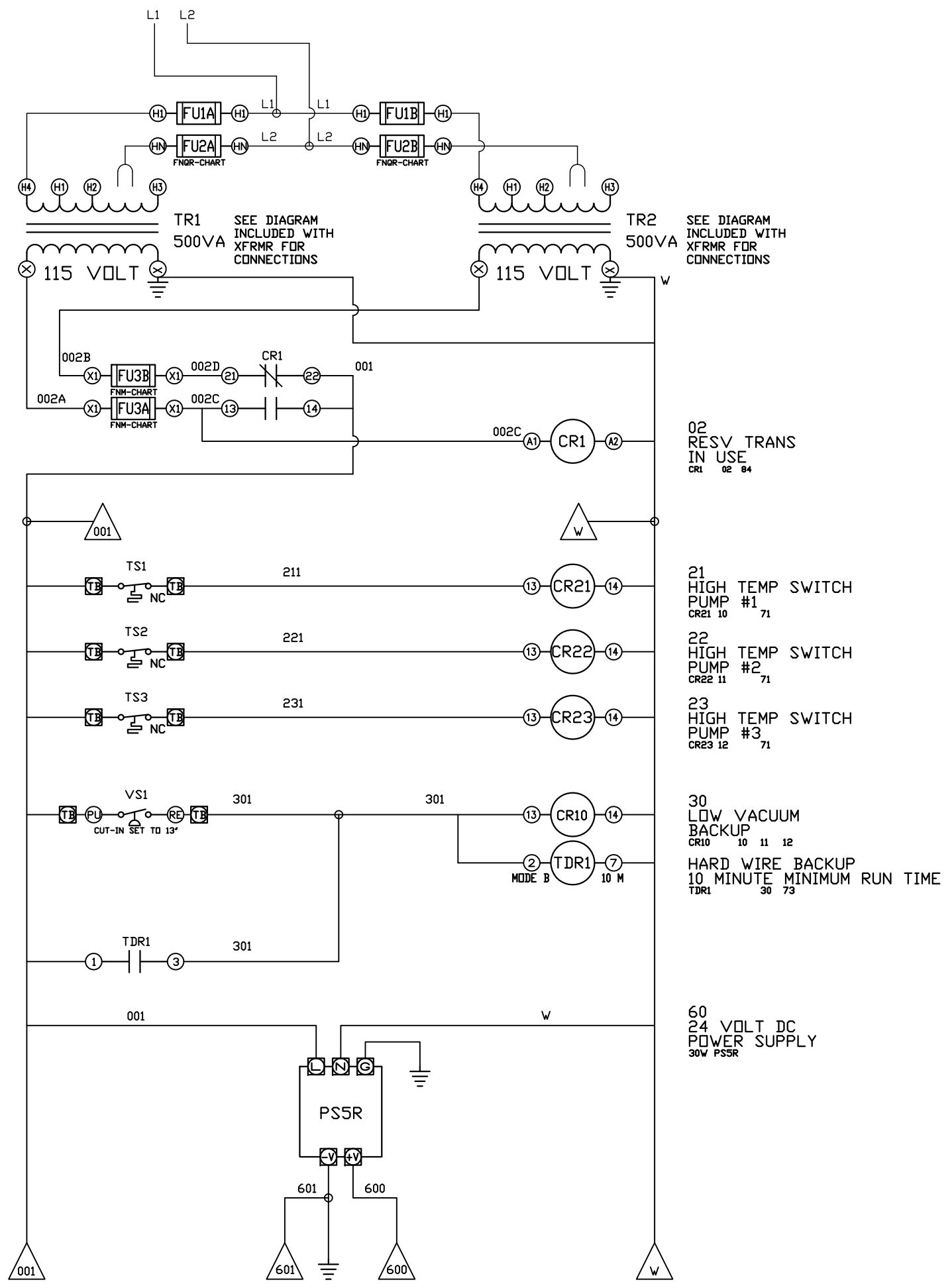
PANEL TYPE  
TRIPLEX VAC ENCLOSURE MSTR HMI, NFPA

DWG. TYPE WIRING  
DWG. NO. PBMI-VNE369

SHEET W-1  
SIZE B



REV	REVISION	DATE	ECN	NAME	CHKD
B-1	RELEASE TO PRODUCTION	01/05/24	PXEC0481	KMD	JRD



SEE DIAGRAM INCLUDED WITH XFRMR FOR CONNECTIONS

02 RESV TRANS IN USE  
CR1 02 84

21 HIGH TEMP SWITCH PUMP #1  
CR21 10 71

22 HIGH TEMP SWITCH PUMP #2  
CR22 11 71

23 HIGH TEMP SWITCH PUMP #3  
CR23 12 71

30 LOW VACUUM BACKUP  
CR10 10 11 12

HARD WIRE BACKUP 10 MINUTE MINIMUM RUN TIME  
TDR1 30 73

60 24 VOLT DC POWER SUPPLY  
30W PSSR

OPTIONAL:



CONFIDENTIAL DISCLOSURE:  
This drawing is the property of POWEREX, INC. of the SCOTT FETZER COMPANY and subject to return on demand. Its contents are confidential and must not be copied or submitted to outside parties for use or examination.

DRAWN BY	CHECKED BY	ENGINEERING APPROVAL
KMD	JRD	KMD
01/05/24	01/05/24	01/05/24

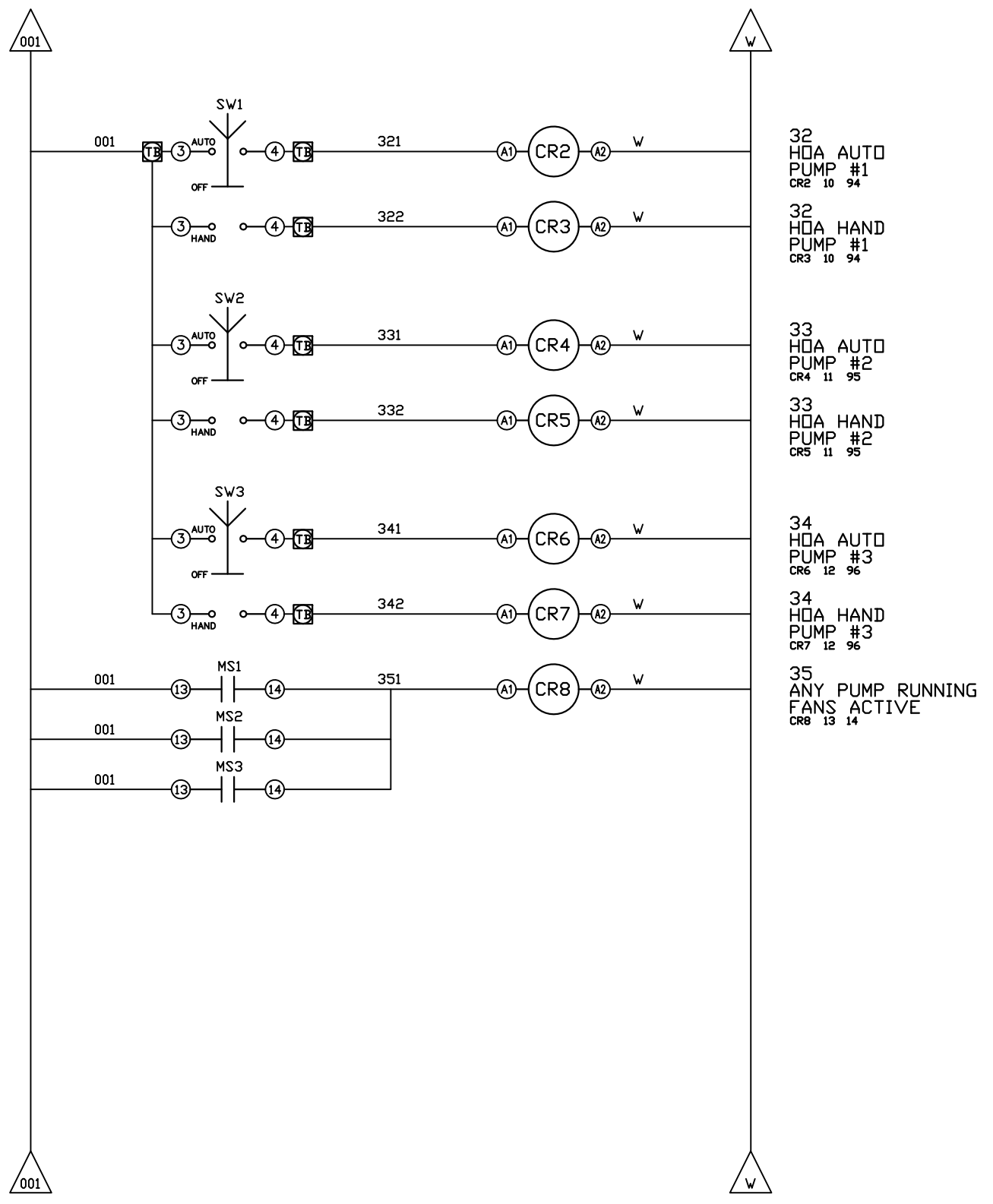
PANEL TYPE  
TRIPLEX VAC ENCLOSURE MSTR HMI, NFPA

DWG. TYPE WIRING

DWG. NO.  
PBMI-VNE369

SHEET	SIZE
W-2	B

REV	REVISION	DATE	ECN	NAME	CHKD
B-1	RELEASE TO PRODUCTION	01/05/24	PXEC0481	KMD	JRD



- 32 HOA AUTO PUMP #1  
CR2 10 94
- 32 HOA HAND PUMP #1  
CR3 10 94
- 33 HOA AUTO PUMP #2  
CR4 11 95
- 33 HOA HAND PUMP #2  
CR5 11 95
- 34 HOA AUTO PUMP #3  
CR6 12 96
- 34 HOA HAND PUMP #3  
CR7 12 96
- 35 ANY PUMP RUNNING FANS ACTIVE  
CR8 13 14

OPTIONAL:

# POWEREX™

CONFIDENTIAL DISCLOSURE:  
This drawing is the property of POWEREX, INC. of the SCOTT FETZER COMPANY and subject to return on demand. Its contents are confidential and must not be copied or submitted to outside parties for use or examination.

DRAWN BY	CHECKED BY	ENGINEERING APPROVAL
KMD	JRD	KMD
01/05/24	01/05/24	01/05/24

PANEL TYPE  
TRIPLEX VAC ENCLOSURE MSTR  
HMI, NFPA

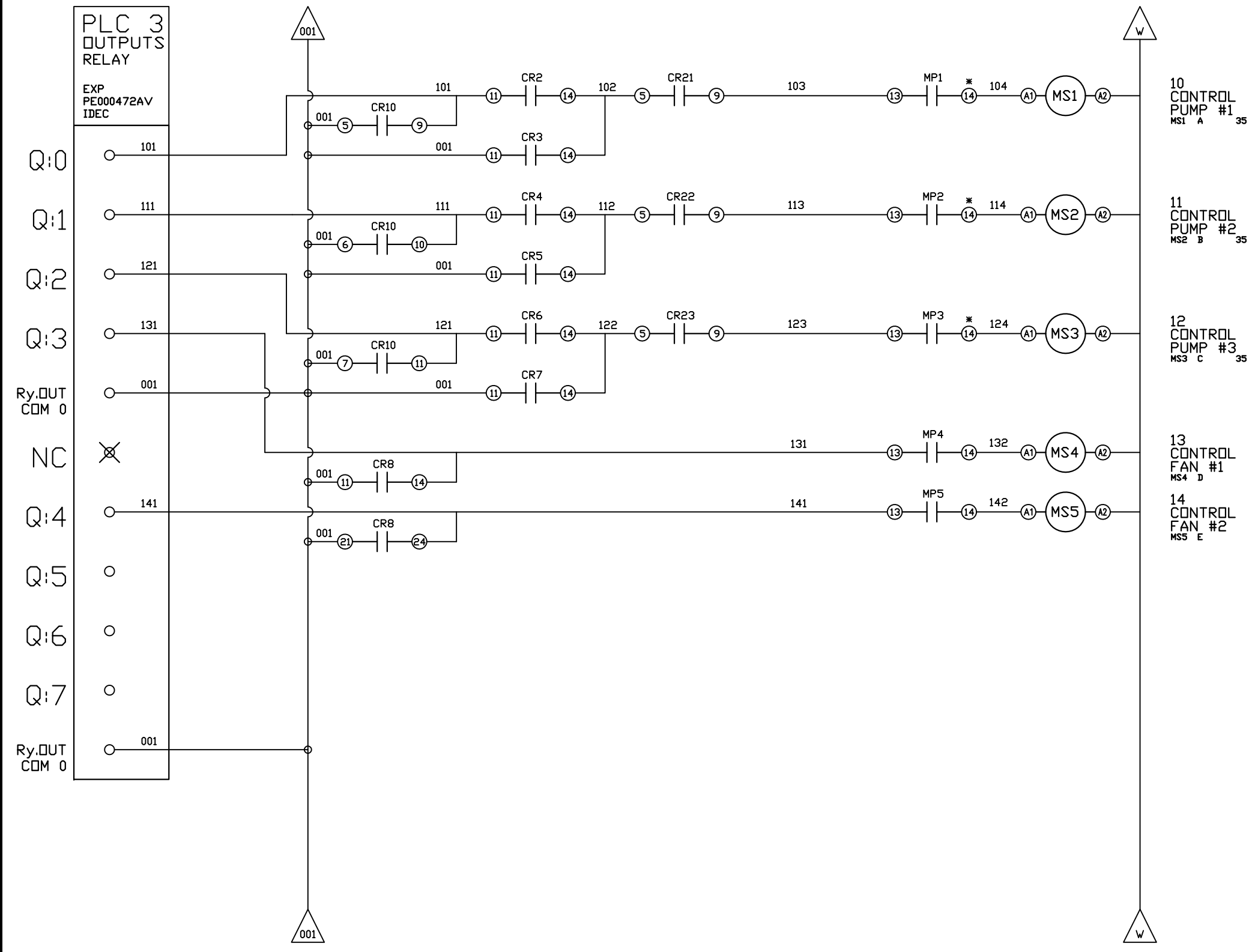
DWG. TYPE    WIRING

DWG. NO.  
**PBMI-VNE369**

SHEET	SIZE
W-3	B

PBMI-VNE369

REV	REVISION	DATE	ECN	NAME	CHKD
B-1	RELEASE TO PRODUCTION	01/05/24	PXEC0481	KMD	JRD



OPTIONAL:



CONFIDENTIAL DISCLOSURE:  
This drawing is the property of POWEREX, INC. of the SCOTT FETZER COMPANY and subject to return on demand. Its contents are confidential and must not be copied or submitted to outside parties for use or examination.

DRAWN BY	CHECKED BY	ENGINEERING APPROVAL
KMD	JRD	KMD
01/05/24	01/05/24	01/05/24

PANEL TYPE  
TRIPLEX VAC ENCLOSURE MSTR HMI, NFPA

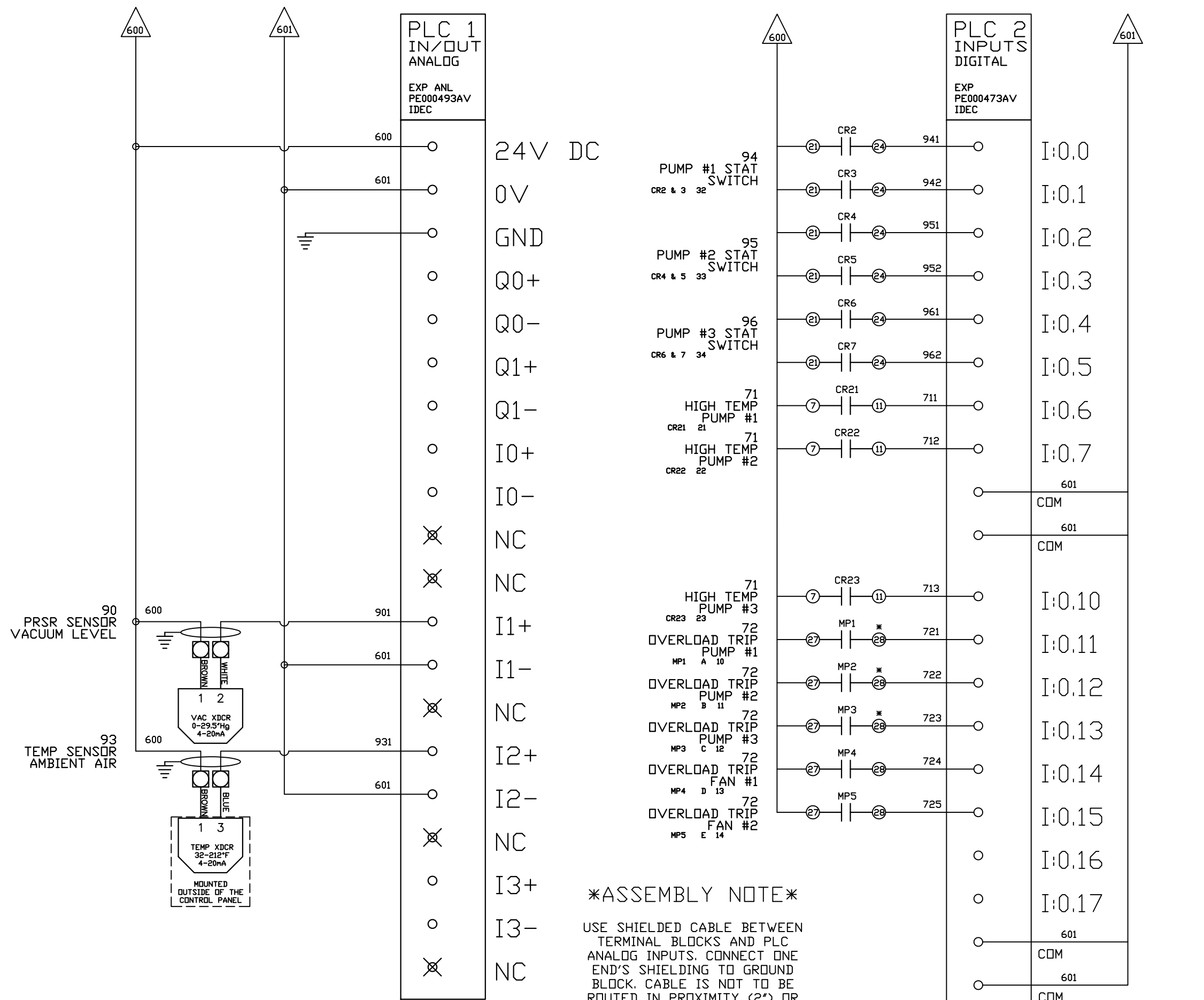
DWG. TYPE WIRING

DWG. NO.  
PBMI-VNE369

SHEET	SIZE
W-4	B

\* FOR GV4 MOTOR PROTECTORS USE PINS #1 AND #4 ON AUX CONTACT IN 'OF1' SLOT

REV	REVISION	DATE	ECN	NAME	CHKD
B-1	RELEASE TO PRODUCTION	01/05/24	PXEC0481	KMD	JRD



**\*ASSEMBLY NOTE\***  
 USE SHIELDED CABLE BETWEEN TERMINAL BLOCKS AND PLC ANALOG INPUTS. CONNECT ONE END'S SHIELDING TO GROUND BLOCK. CABLE IS NOT TO BE ROUTED IN PROXIMITY (2") OR ROUTED IN WIRE TRAY OF ANY 3-PHASE POWER CONDUCTORS.

\* FOR GV4 MOTOR PROTECTORS USE PINS #1 AND #4 ON AUX CONTACT IN 'SD9' SLOT

OPTIONAL:



CONFIDENTIAL DISCLOSURE:  
 This drawing is the property of POWEREX, INC. of the SCOTT FETZER COMPANY and subject to return on demand. Its contents are confidential and must not be copied or submitted to outside parties for use or examination.

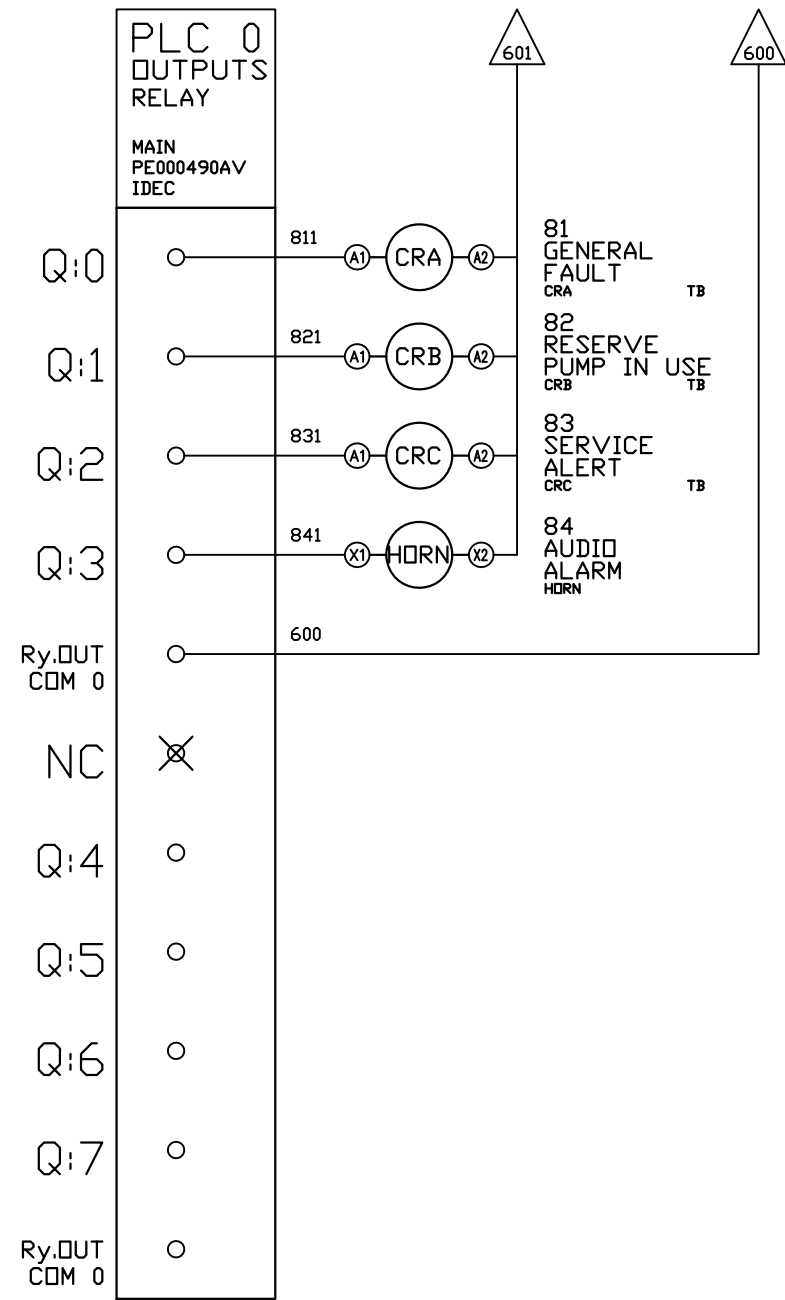
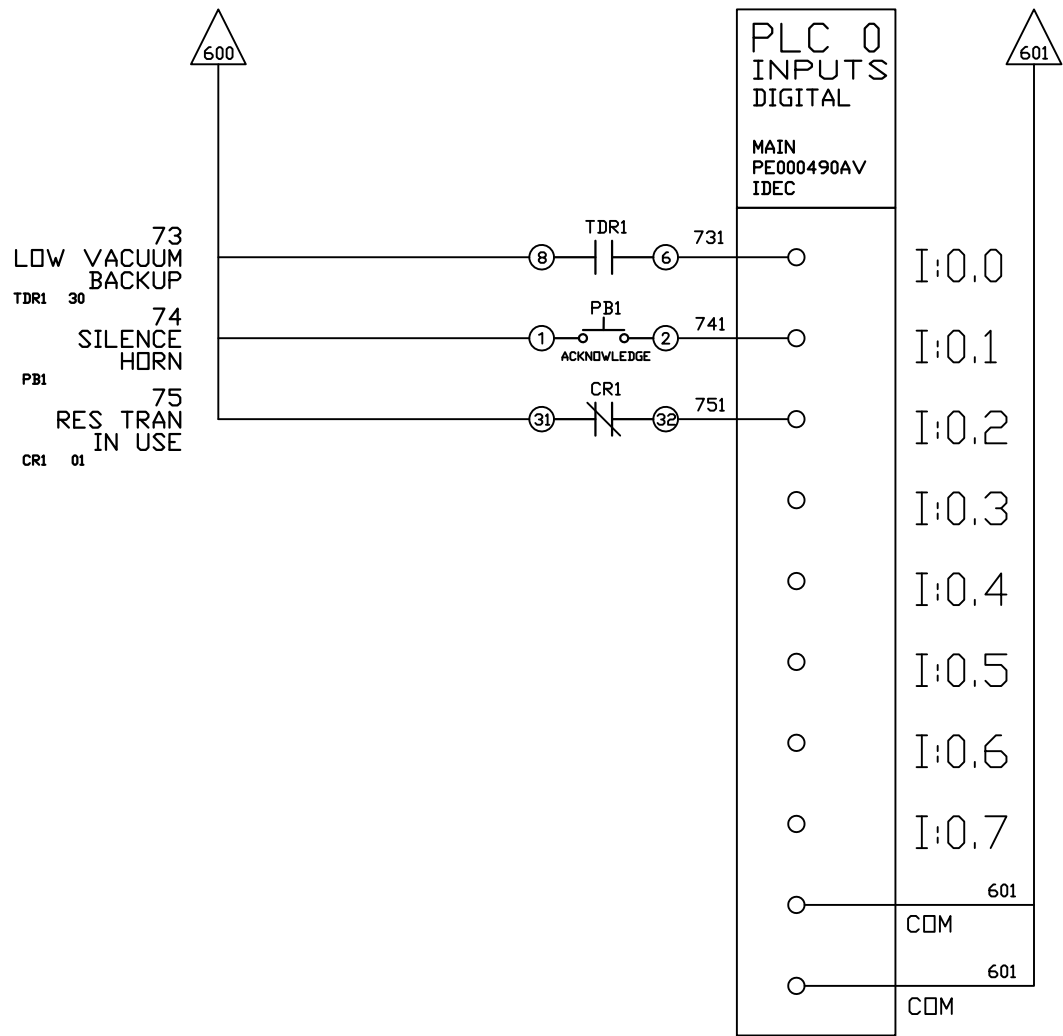
DRAWN BY	CHECKED BY	ENGINEERING APPROVAL
KMD	JRD	KMD
01/05/24	01/05/24	01/05/24

PANEL TYPE  
 TRIPLEX VAC ENCLOSURE MSTR HMI, NFPA

DWG. TYPE WIRING  
 DWG. NO. PBMI-VNE369

SHEET	SIZE
W-5	B

REV	REVISION	DATE	ECN	NAME	CHKD
B-1	RELEASE TO PRODUCTION	01/05/24	PXECO481	KMD	JRD



OPTIONAL:



**CONFIDENTIAL DISCLOSURE:**  
 This drawing is the property of POWEREX, INC. of the SCOTT FETZER COMPANY and subject to return on demand. Its contents are confidential and must not be copied or submitted to outside parties for use or examination.

DRAWN BY	CHECKED BY	ENGINEERING APPROVAL
KMD	JRD	KMD
01/05/24	01/05/24	01/05/24

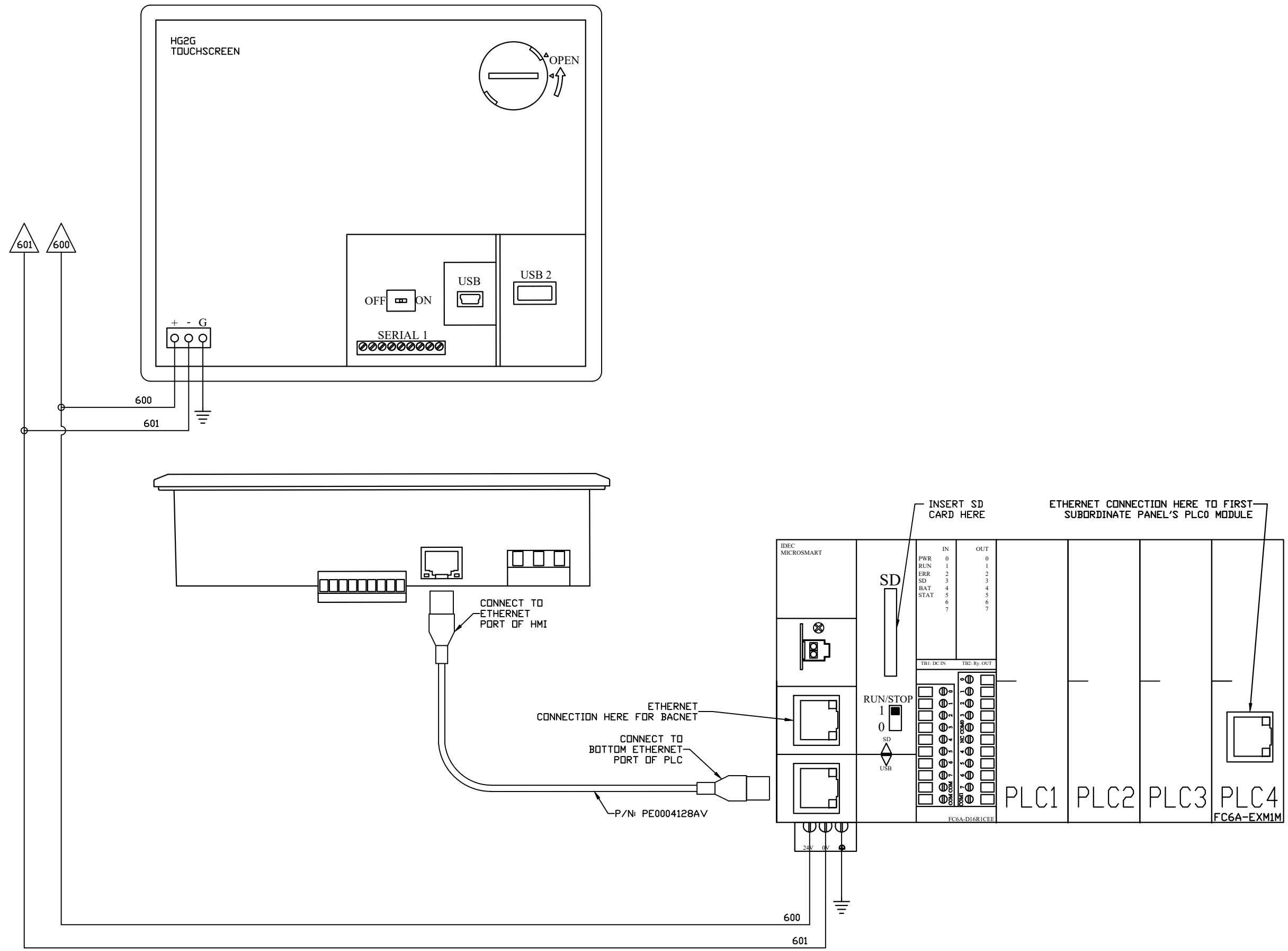
PANEL TYPE  
 TRIPLEX VAC ENCLOSURE MSTR  
 HMI, NFPA

DWG. TYPE WIRING

DWG. NO.  
**PBMI-VNE369**

SHEET	SIZE
W-6	B

REV	REVISION	DATE	ECN	NAME	CHKD
B-1	RELEASE TO PRODUCTION	01/05/24	PXEC0481	KMD	JRD



OPTIONAL:



CONFIDENTIAL DISCLOSURE:  
This drawing is the property of POWEREX, INC. of the SCOTT FETZER COMPANY and subject to return on demand. Its contents are confidential and must not be copied or submitted to outside parties for use or examination.

DRAWN BY	CHECKED BY	ENGINEERING APPROVAL
KMD	JRD	KMD
01/05/24	01/05/24	01/05/24

PANEL TYPE  
TRIPLEX VAC ENCLOSURE MSTR HMI, NFPA

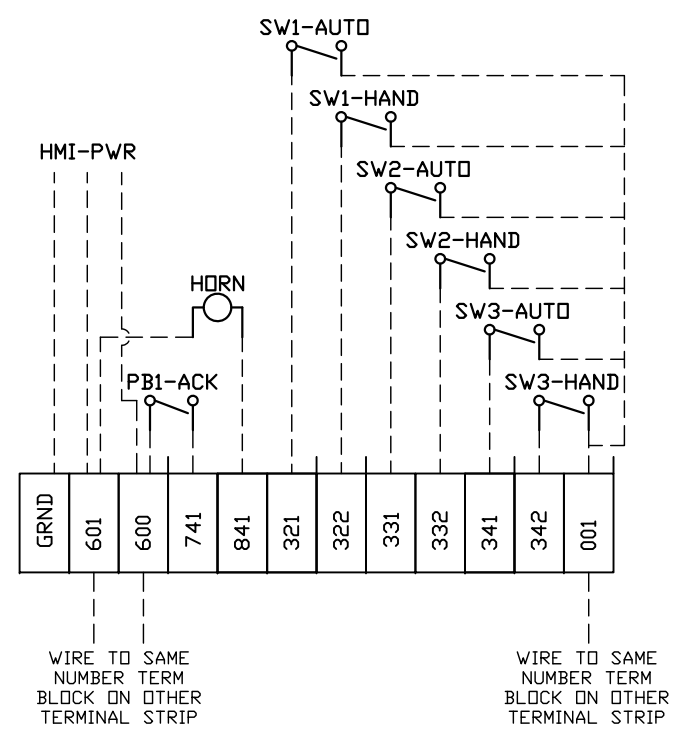
DWG. TYPE WIRING

DWG. NO.  
PBMI-VNE369

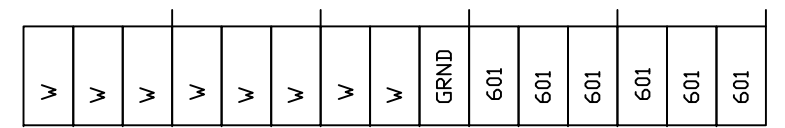
SHEET	SIZE
W-7	B

REV	REVISION	DATE	ECN	NAME	CHKD
B-1	RELEASE TO PRODUCTION	01/05/24	PXEC0481	KMD	JRD

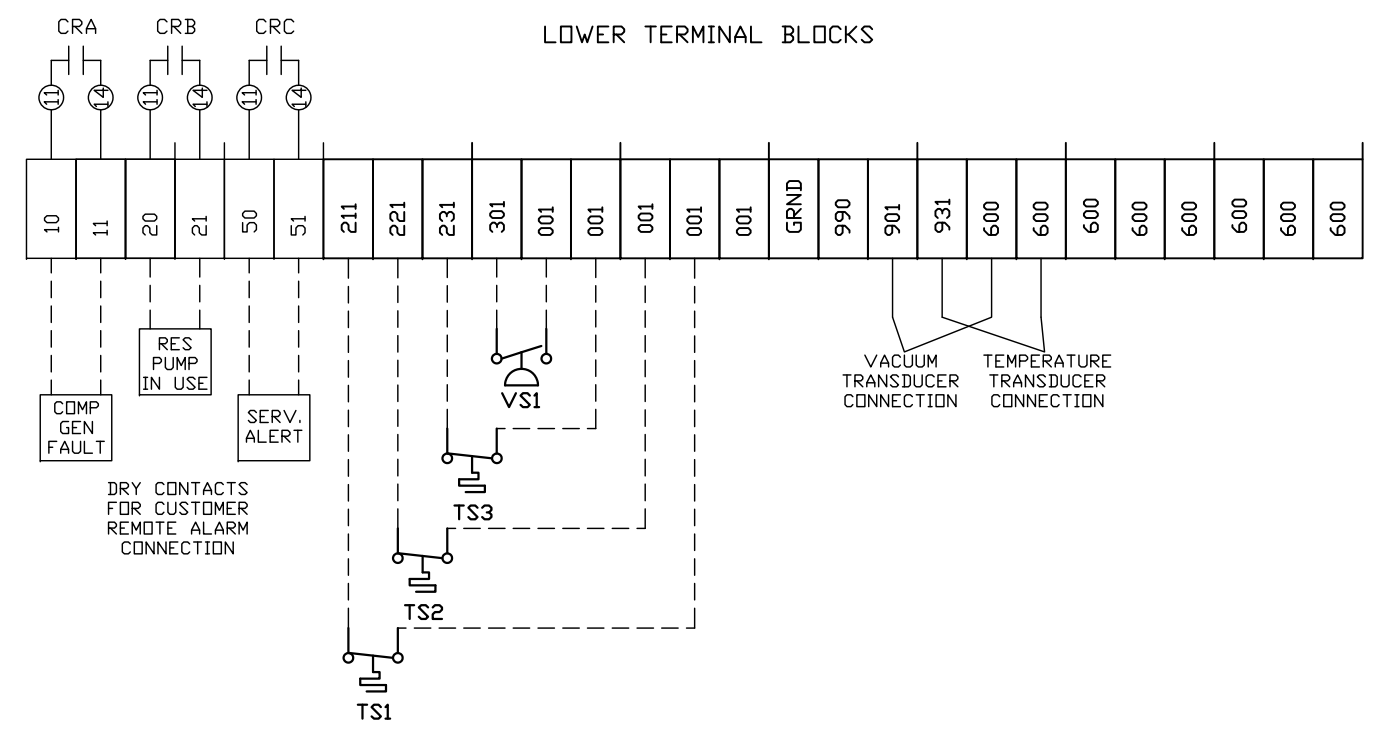
UPPER TERMINAL BLOCKS



MIDDLE TERMINAL BLOCKS



LOWER TERMINAL BLOCKS



- FIELD WIRING NOTES:
- PANEL GROUND MUST BE CONNECTED TO EARTH GROUND
  - TRANSFORMER IS SIZED FOR LOADS SHOWN ON DRAWING ONLY.
  - FIELD WIRING INDICATED BY -----, WIRE TO BE COPPER RATED AT 75° C.
  - ALL ALARM DRY CONTACTS ARE CLOSED FOR NORMAL OPERATION AND OPEN IN ALARM.
  - DRY CONTACT RATING: 30V DC/2A (resistive load, inductive load L/R = 7 ms)
  - USE CAT-5 CABLE W/RJ45 CONNECTOR FOR ETHERNET CONNECTION TO COMMUNICATION NETWORK OR BAS SYSTEM

OPTIONAL:

CONFIDENTIAL DISCLOSURE:  
This drawing is the property of POWEREX, INC. of the SCOTT FETZER COMPANY and subject to return on demand. Its contents are confidential and must not be copied or submitted to outside parties for use or examination.

DRAWN BY	CHECKED BY	ENGINEERING APPROVAL
KMD	JRD	KMD
01/05/24	01/05/24	01/05/24

PANEL TYPE  
TRIPLEX VAC ENCLOSURE MSTR  
HMI, NFPA

DWG. TYPE  
WIRING

DWG. NO.  
PBMI-VNE369

SHEET W-8	SIZE B
--------------	-----------

PBMI-VNE369



REV	REVISION	DATE	ECN	NAME	CHKD
B-1	RELEASE TO PRODUCTION	01/05/24	PXEC0481	KMD	JRD

TABLE 1

PANEL DATA 3Ø - 50/60 Hz 500VA CONTROL CIRCUIT								
LOAD SPECIFICATIONS						(B) BRANCH CIRCUIT PROTECTION - PROVIDED BY INSTALLER		
PANEL PART NUMBER	MOTOR SIZE EACH	POWER (V/PH)	PUMP MOTOR LOAD EACH (FLA)	FAN MOTOR LOAD EACH (FLA)	PANEL LOAD TOTAL (FLA)	MONTHLY DELAY FUSE	TIME-DELAY FUSE	INVERSE-TIME CIRCUIT BREAKER
PBMIVNE36942CB	4	208V/3Ø	10.4	0.6	34.9	60A	45A	60A
PBMIVNE36952CB	5	208V/3Ø	13.0	0.6	42.7	70A	60A	70A
PBMIVNE36962CB	6.4	208V/3Ø	16.4	0.6	52.9	90A	70A	80A
PBMIVNE36972CB	7.5	208V/3Ø	21.4	0.6	67.9	125A	90A	100A
PBMIVNE36943CB	4	230V/3Ø	9.2	0.54	31.2	50A	40A	45A
PBMIVNE36953CB	5	230V/3Ø	11.4	0.54	37.8	70A	50A	60A
PBMIVNE36963CB	6.4	230V/3Ø	15.2	0.54	49.2	80A	70A	80A
PBMIVNE36973CB	7.5	230V/3Ø	17.2	0.54	55.2	90A	70A	90A
PBMIVNE36944CB	4	460V/3Ø	4.6	0.33	16.5	30A	20A	25A
PBMIVNE36954CB	5	460V/3Ø	5.7	0.33	19.8	35A	25A	30A
PBMIVNE36964CB	6.4	460V/3Ø	7.6	0.33	25.5	45A	35A	40A
PBMIVNE36974CB	7.5	460V/3Ø	8.6	0.33	28.5	50A	35A	45A

NOTE- ADJUST OVERCURRENT PROTECTION DEVICE NOT TO EXCEED  
115% OF MOTOR NAMEPLATE FLA VALUE

WIRE TYPE TABLE			
VOLTAGE	WIRE NUMBERS	GAUGE	COLOR
120VAC	001-599	16-18AWG	RED/BLK
0VAC	W	16-18AWG	WHT/BLK
24VDC	600-999	16-18AWG	PURPLE
0VDC	601,701,991	16-18AWG	PURPLE
GND	-	VARIES	GREEN
CUSTOMER SUPPLY	01-99	16-18AWG	YELLOW

CONTROL TRANSFORMERS - 500VA					
FUSE TYPE		208 VOLT	230 VOLT	460 380 VOLT	575 VOLT
FU1,2A FU1,2B	FNQR	6A	5A	5A	4A
FU3A,B	FNM	7A	7A	7A	7A


SEE XFMR FOR CONNECTIONS

NOTES:

- RECOMMENDED TIGHTENING TORQUES FOR WIRE TERMINALS:  
208-575 VOLT POWER 35 POUND INCHES  
120 VOLT POWER AND CONTROL  
VOLTAGE 15 POUND INCHES
- PANEL GROUND MUST BE CONNECTED TO EARTH GROUND
- INSTALLER TO PROVIDE MAIN DISCONNECTING DEVICE WITH  
SHORT CIRCUIT PROTECTION FOR THIS ELECTRICAL ASSEMBLY.  
SEE MOTOR DATA TABLE ON THIS PAGE FOR REQUIREMENTS.
- ALL WIRES MUST BE LABELED ON BOTH ENDS
- TRANSFORMER IS SIZED FOR LOADS SHOWN ON DRAWING ONLY.  
DO NOT CONNECT ANY OTHER DEVICES
- △ -INDICATES A DRAWING WIRE CONNECTION TO ANOTHER PAGE.

FIELD WIRING NOTES ON PAGE W-6

OPTIONAL:



CONFIDENTIAL DISCLOSURE:  
This drawing is the property of POWEREX, INC. of  
the SCOTT FETZER COMPANY and subject to return  
on demand. Its contents are confidential and must  
not be copied or submitted to outside parties for  
use or examination.

DRAWN BY	CHECKED BY	ENGINEERING APPROVAL
KMD	JRD	KMD

01/05/24	01/05/24	01/05/24
----------	----------	----------

PANEL TYPE  
TRIPLEX VAC ENCLOSURE MSTR  
HMI, NFPA

DWG. TYPE DATA

DWG. NO.  
PBMI-VNE369

SHEET	SIZE
D-1	B

PBMI-VNE369