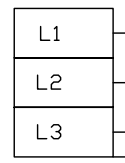
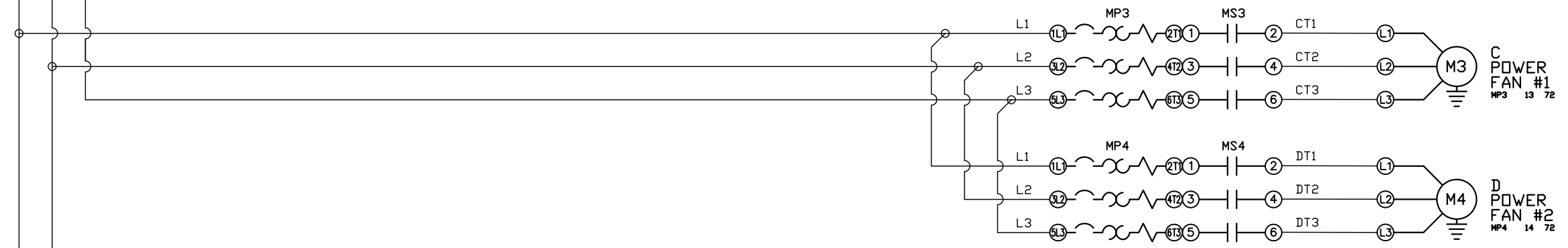
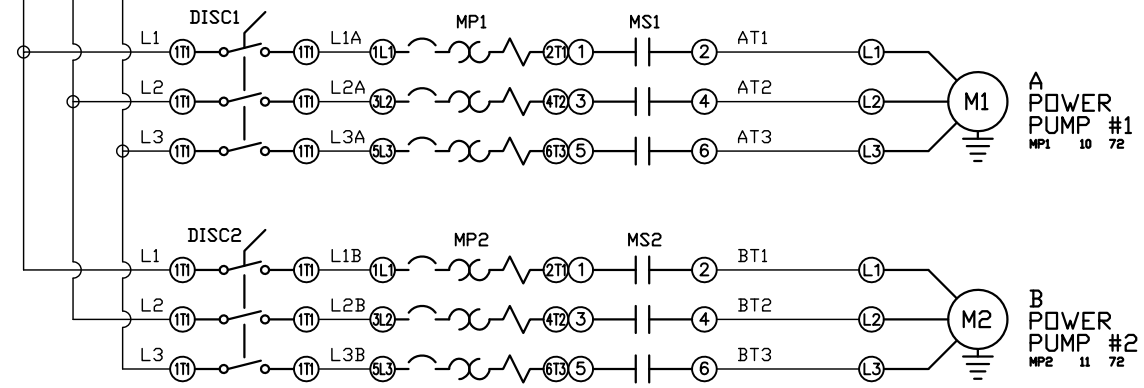


REV	REVISION	DATE	ECN	NAME	CHKD
B-1	RELEASE TO PRODUCTION	01/05/24	PXEC0481	KMD	JRD



FIELD FURNISHED DISCONNECT WITH BRANCH CIRCUIT PROTECTION IS REQUIRED  
SEE NOTES ON DATA PAGE D-1



OPTIONAL:

# POWEREX™

CONFIDENTIAL DISCLOSURE:  
This drawing is the property of POWEREX, INC. of the SCOTT FETZER COMPANY and subject to return on demand. Its contents are confidential and must not be copied or submitted to outside parties for use or examination.

DRAWN BY	CHECKED BY	ENGINEERING APPROVAL
KMD	JRD	KMD
01/05/24	01/05/24	01/05/24

PANEL TYPE  
DUPLIX VAC ENCLOSURE SUB  
HMI, NFPA

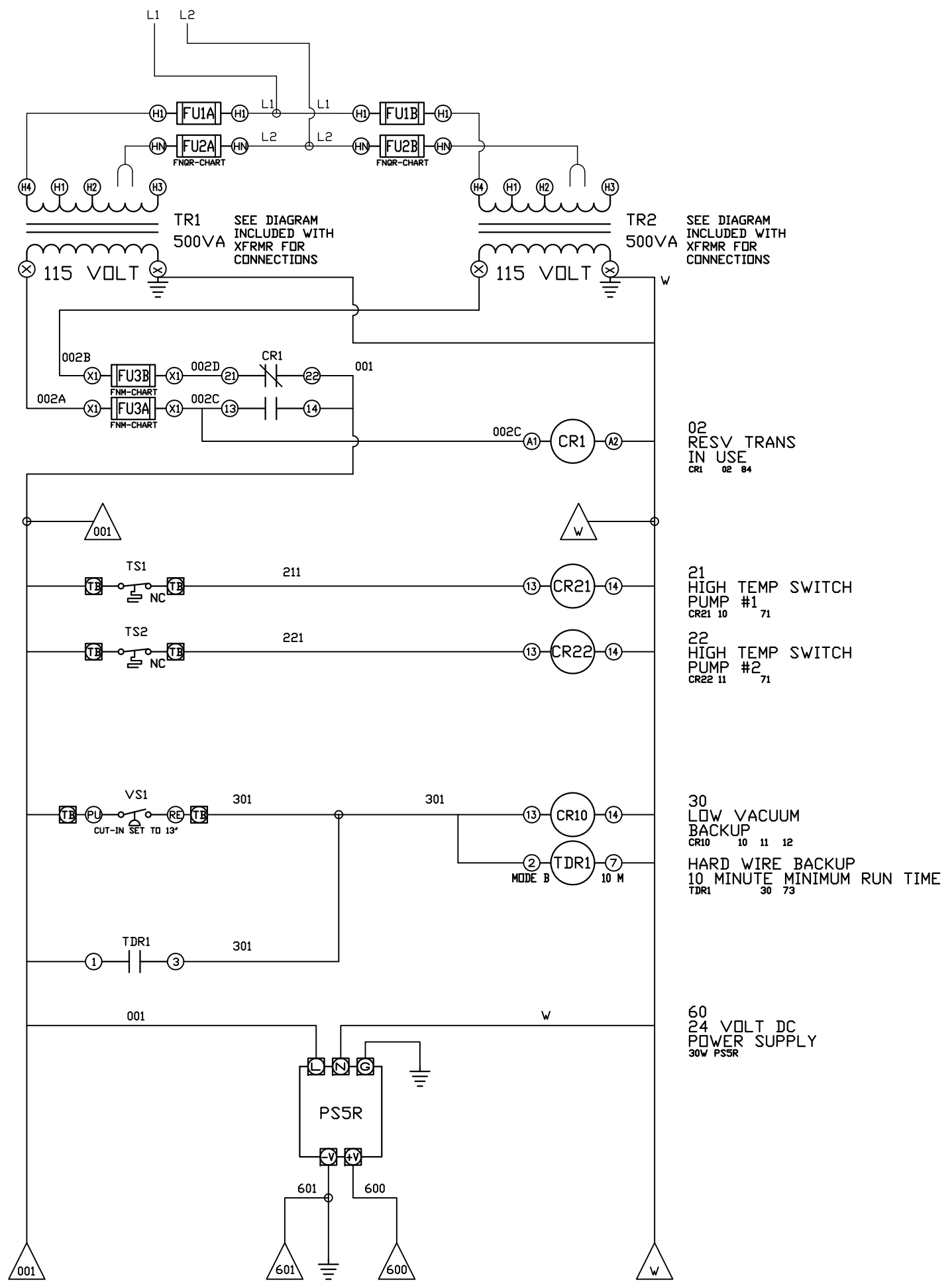
DWG. TYPE  
WIRING

DWG. NO.  
PBMI-VNES269

SHEET	SIZE
W-1	B

PBMI-VNES269

REV	REVISION	DATE	ECN	NAME	CHKD
B-1	RELEASE TO PRODUCTION	01/05/24	PXEC0481	KMD	JRD



SEE DIAGRAM INCLUDED WITH XFRMR FOR CONNECTIONS

02 RESV TRANS IN USE  
CR1 02 84

21 HIGH TEMP SWITCH PUMP #1  
CR21 10 71

22 HIGH TEMP SWITCH PUMP #2  
CR22 11 71

30 LOW VACUUM BACKUP  
CR10 10 11 12

HARD WIRE BACKUP 10 MINUTE MINIMUM RUN TIME  
TDR1 30 73

60 24 VOLT DC POWER SUPPLY  
30W PS5R

OPTIONAL:

# POWEREX™

CONFIDENTIAL DISCLOSURE:  
This drawing is the property of POWEREX, INC. of the SCOTT FETZER COMPANY and subject to return on demand. Its contents are confidential and must not be copied or submitted to outside parties for use or examination.

DRAWN BY	CHECKED BY	ENGINEERING APPROVAL
KMD	JRD	KMD
01/05/24	01/05/24	01/05/24

PANEL TYPE  
DUPLX VAC ENCLOSURE SUB HMI, NFPA

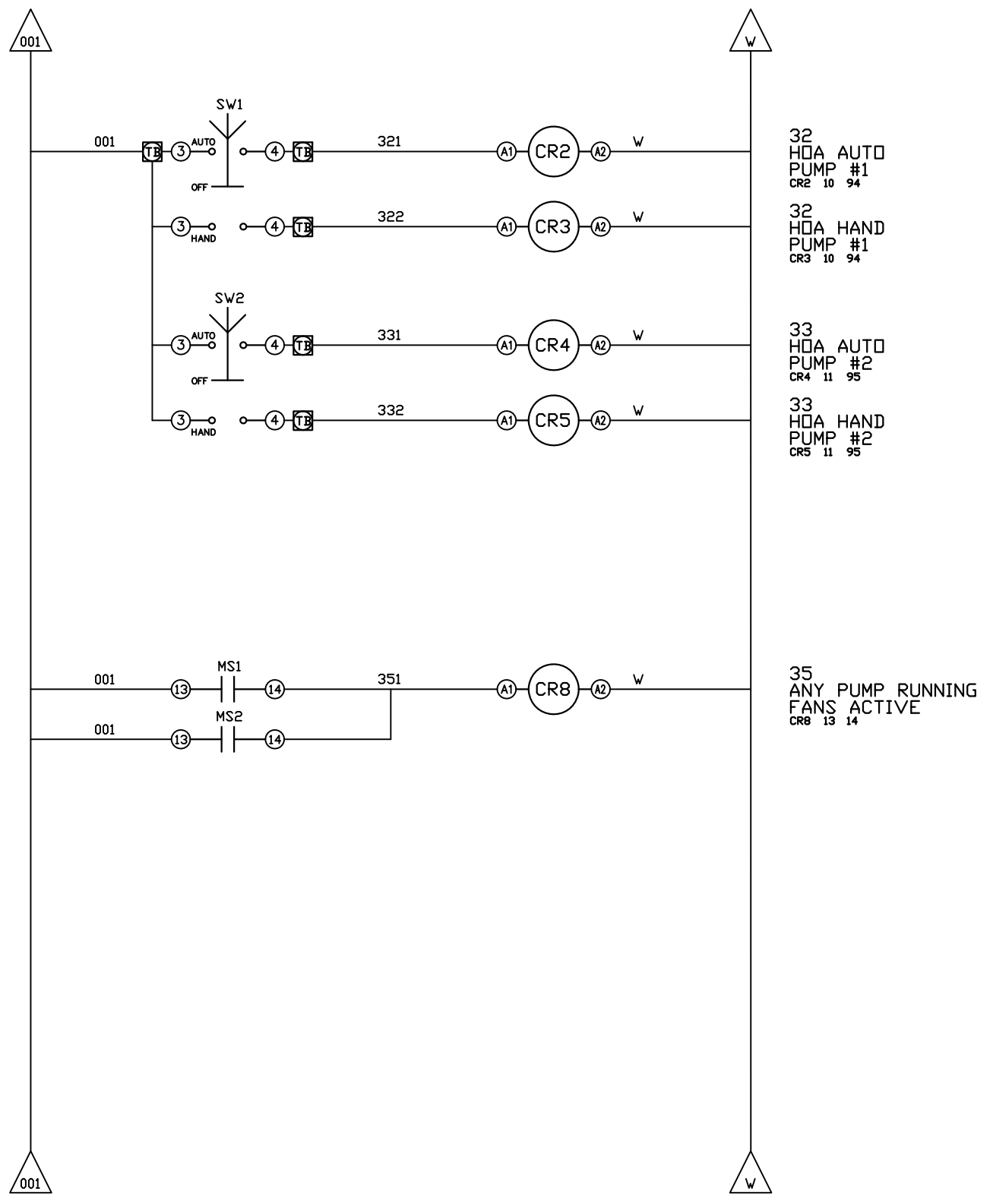
DWG. TYPE WIRING

DWG. NO. PBMI-VNES269

SHEET	SIZE
W-2	B

PBMI-VNES269

REV	REVISION	DATE	ECN	NAME	CHKD
B-1	RELEASE TO PRODUCTION	01/05/24	PXEC0481	KMD	JRD



32  
HOA AUTO  
PUMP #1  
CR2 10 94

32  
HOA HAND  
PUMP #1  
CR3 10 94

33  
HOA AUTO  
PUMP #2  
CR4 11 95

33  
HOA HAND  
PUMP #2  
CR5 11 95

35  
ANY PUMP RUNNING  
FANS ACTIVE  
CR8 13 14

OPTIONAL:



CONFIDENTIAL DISCLOSURE:  
This drawing is the property of POWEREX, INC. of the SCOTT FETZER COMPANY and subject to return on demand. Its contents are confidential and must not be copied or submitted to outside parties for use or examination.

DRAWN BY	CHECKED BY	ENGINEERING APPROVAL
KMD	JRD	KMD
01/05/24	01/05/24	01/05/24

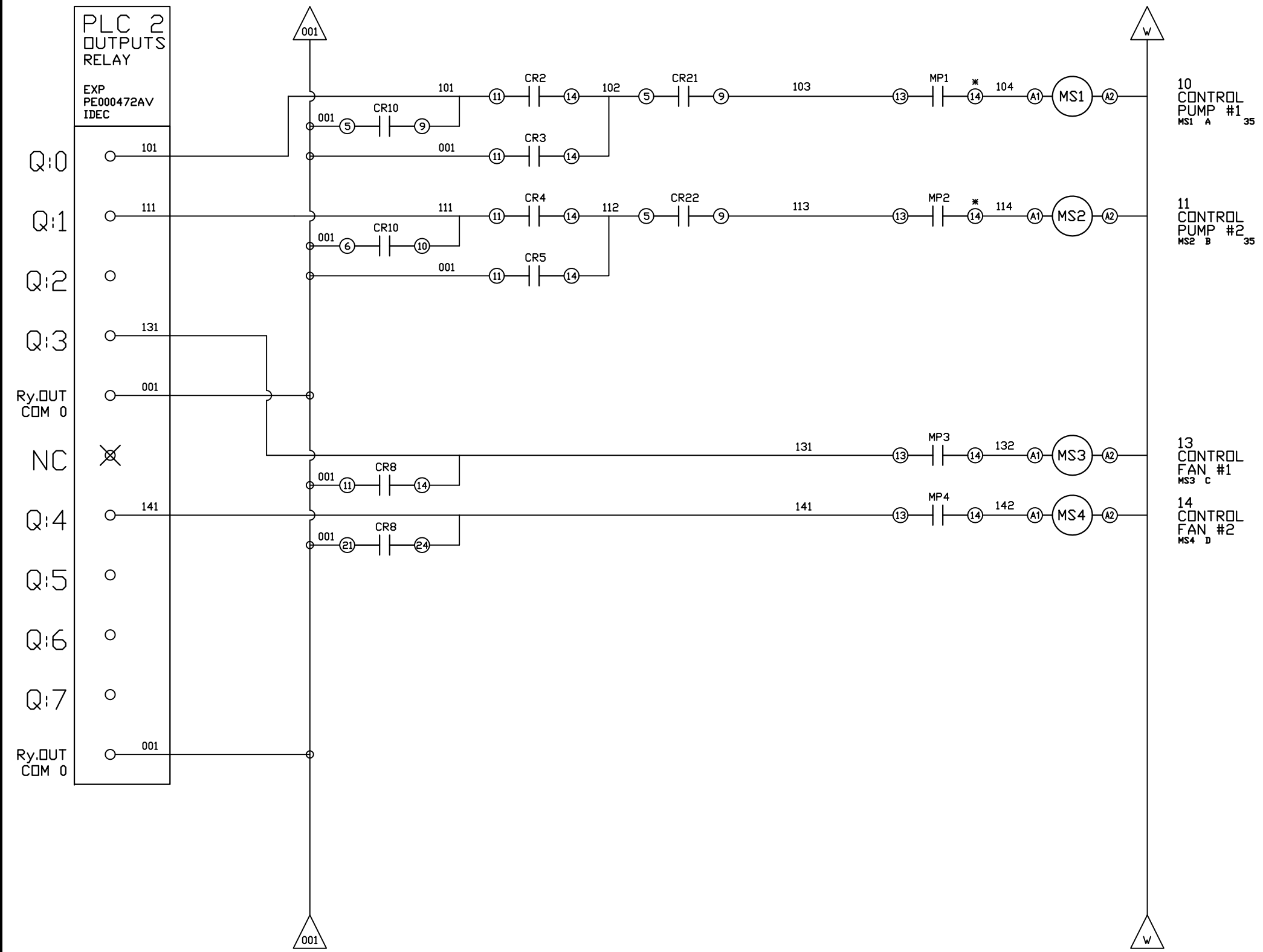
PANEL TYPE  
DUPLEX VAC ENCLOSURE SUB  
HMI, NFPA

DWG. TYPE WIRING

DWG. NO.  
PBMI-VNES269

SHEET	SIZE
W-3	B

REV	REVISION	DATE	ECN	NAME	CHKD
B-1	RELEASE TO PRODUCTION	01/05/24	PXEC0481	KMD	JRD



OPTIONAL:



CONFIDENTIAL DISCLOSURE:  
This drawing is the property of POWEREX, INC. of the SCOTT FETZER COMPANY and subject to return on demand. Its contents are confidential and must not be copied or submitted to outside parties for use or examination.

DRAWN BY	CHECKED BY	ENGINEERING APPROVAL
KMD	JRD	KMD
01/05/24	01/05/24	01/05/24

PANEL TYPE  
DUPLEX VAC ENCLOSURE SUB  
HMI, NFPA

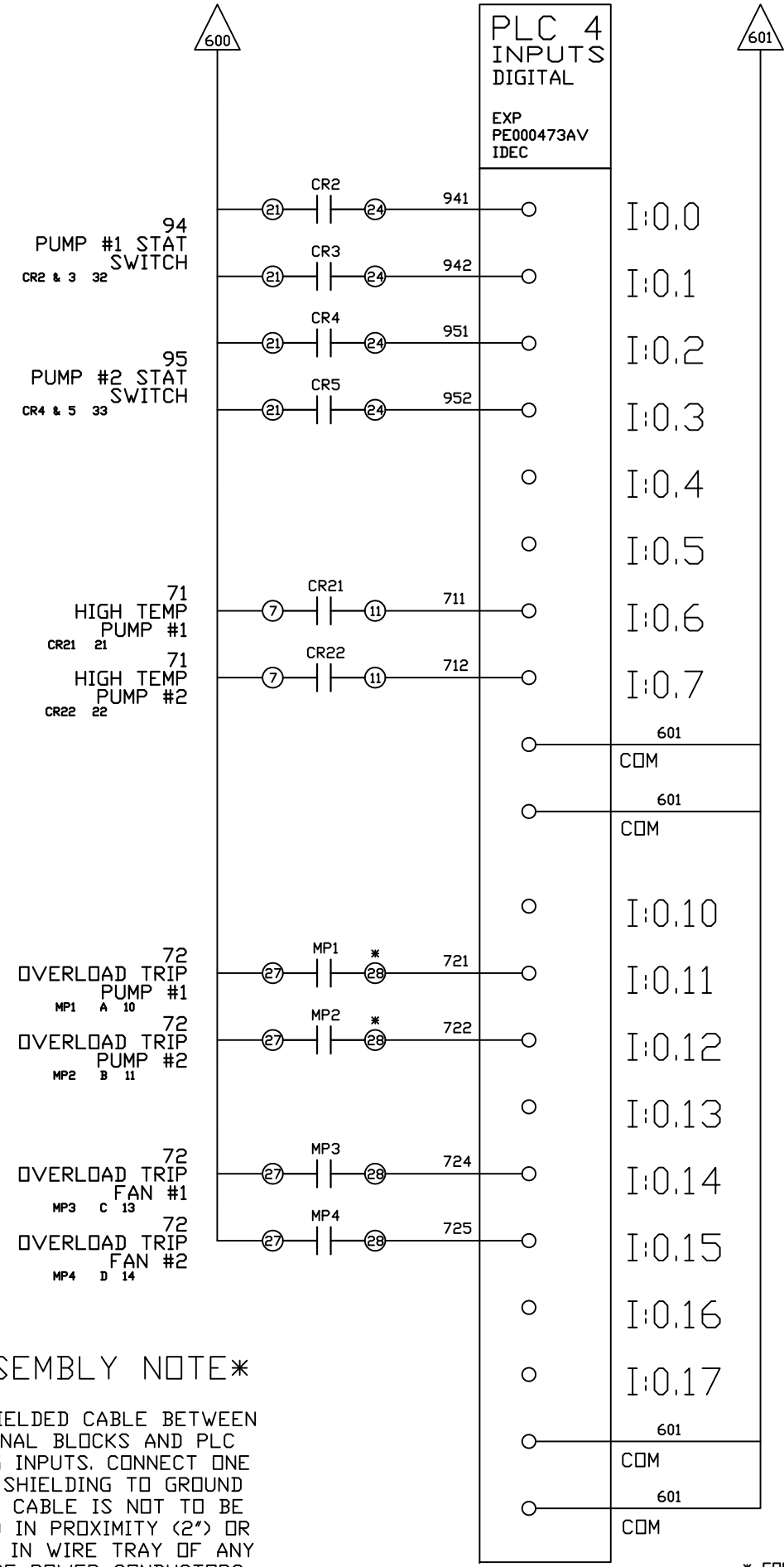
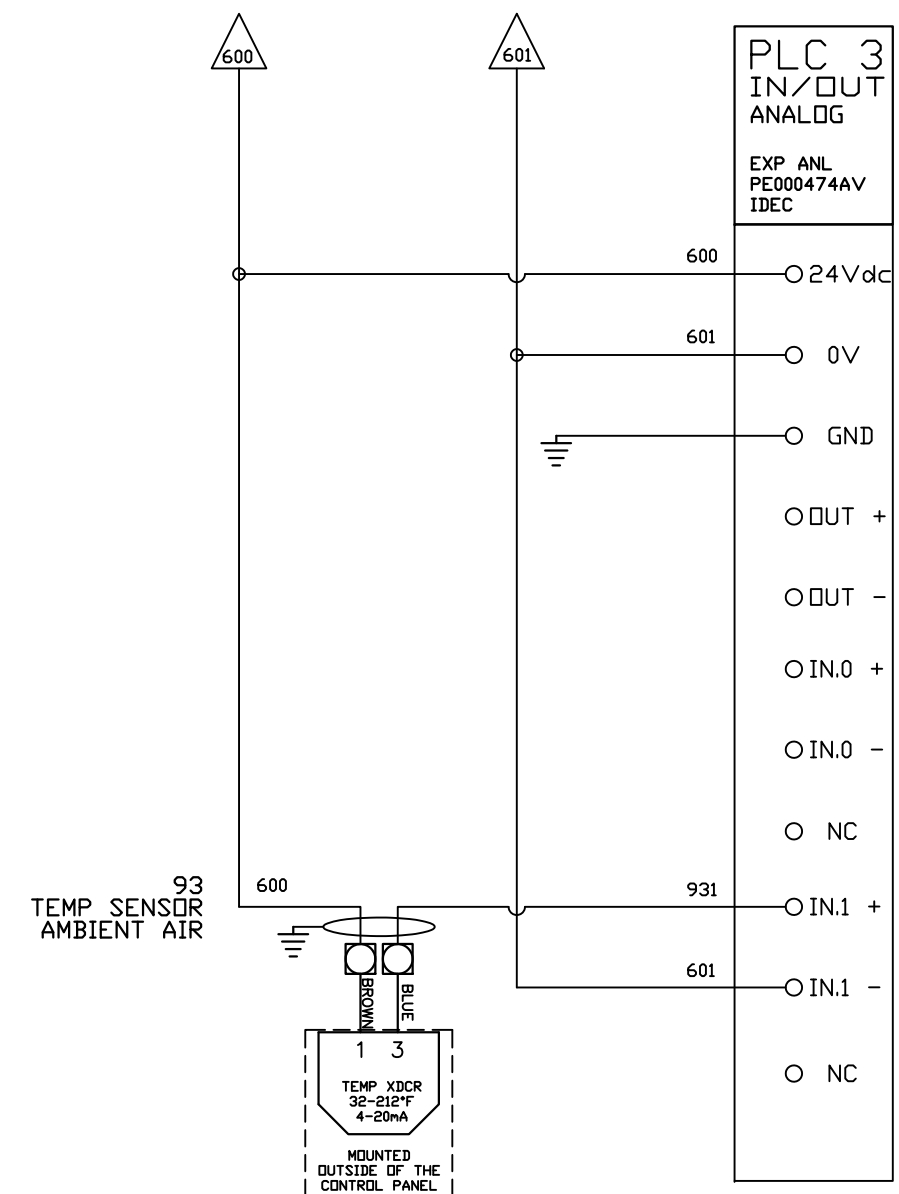
DWG. TYPE WIRING

DWG. NO.  
PBMI-VNES269

SHEET	SIZE
W-4	B

\* FOR GV4 MOTOR PROTECTORS USE PINS #1 AND #4 ON AUX CONTACT IN '0F1' SLOT

REV	REVISION	DATE	ECN	NAME	CHKD
B-1	RELEASE TO PRODUCTION	01/05/24	PXEC0481	KMD	JRD



**\*ASSEMBLY NOTE\***

USE SHIELDED CABLE BETWEEN TERMINAL BLOCKS AND PLC ANALOG INPUTS. CONNECT ONE END'S SHIELDING TO GROUND BLOCK. CABLE IS NOT TO BE ROUTED IN PROXIMITY (2") OR ROUTED IN WIRE TRAY OF ANY 3-PHASE POWER CONDUCTORS.

\* FOR GV4 MOTOR PROTECTORS USE PINS #1 AND #4 ON AUX CONTACT IN 'SD9' SLOT

OPTIONAL:



CONFIDENTIAL DISCLOSURE:  
This drawing is the property of POWEREX, INC. of the SCOTT FETZER COMPANY and subject to return on demand. Its contents are confidential and must not be copied or submitted to outside parties for use or examination.

DRAWN BY	CHECKED BY	ENGINEERING APPROVAL
KMD	JRD	KMD
01/05/24	01/05/24	01/05/24

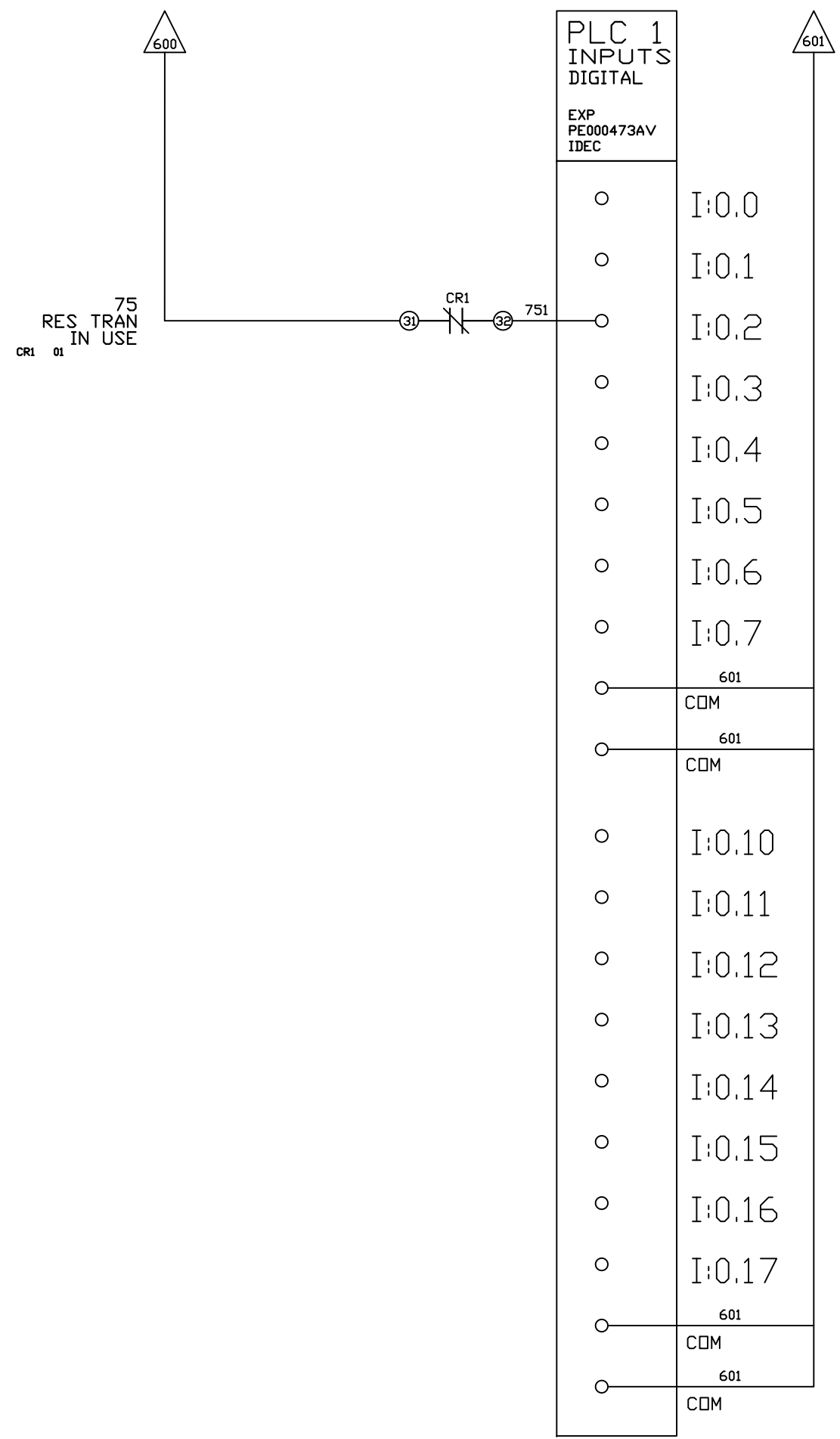
PANEL TYPE  
DUPLEX VAC ENCLOSURE SUB  
HMI, NFPA

DWG. TYPE WIRING

DWG. NO.  
PBMI-VNES269

SHEET	SIZE
W-5	B

REV	REVISION	DATE	ECN	NAME	CHKD
B-1	RELEASE TO PRODUCTION	01/05/24	PXECO481	KMD	JRD



OPTIONAL:



**CONFIDENTIAL DISCLOSURE:**  
 This drawing is the property of POWEREX, INC. of the SCOTT FETZER COMPANY and subject to return on demand. Its contents are confidential and must not be copied or submitted to outside parties for use or examination.

DRAWN BY	CHECKED BY	ENGINEERING APPROVAL
KMD	JRD	KMD
01/05/24	01/05/24	01/05/24

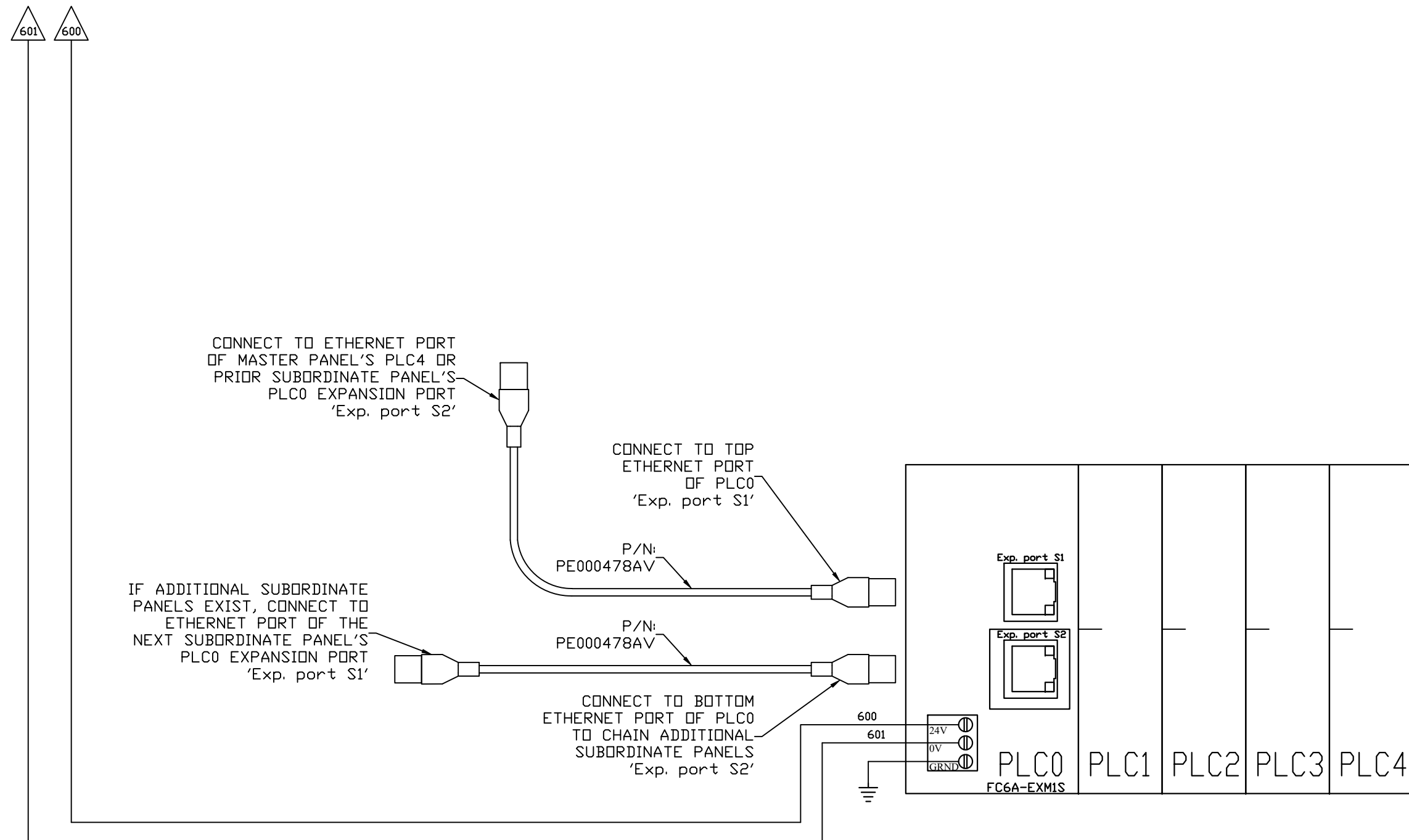
PANEL TYPE  
 DUPLEX VAC ENCLOSURE SUB  
 HMI, NFPA

DWG. TYPE WIRING

DWG. NO.  
**PBMI-VNES269**

SHEET	SIZE
W-6	B

REV	REVISION	DATE	ECN	NAME	CHKD
B-1	RELEASE TO PRODUCTION	01/05/24	PXEC0481	KMD	JRD



OPTIONAL:



CONFIDENTIAL DISCLOSURE:  
This drawing is the property of POWEREX, INC. of the SCOTT FETZER COMPANY and subject to return on demand. Its contents are confidential and must not be copied or submitted to outside parties for use or examination.

DRAWN BY	CHECKED BY	ENGINEERING APPROVAL
KMD	JRD	KMD
01/05/24	01/05/24	01/05/24

PANEL TYPE  
 DUPLEX VAC ENCLOSURE SUB  
 HMI, NFPA

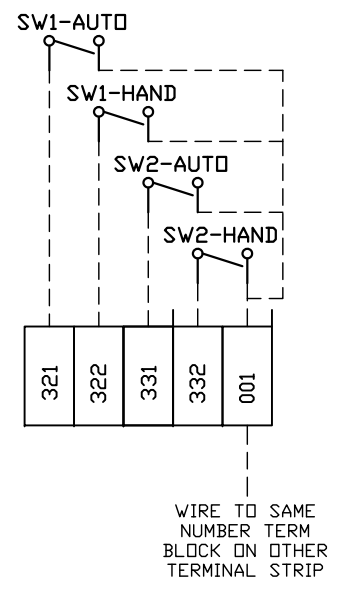
DWG. TYPE WIRING

DWG. NO.  
 PBMI-VNES269

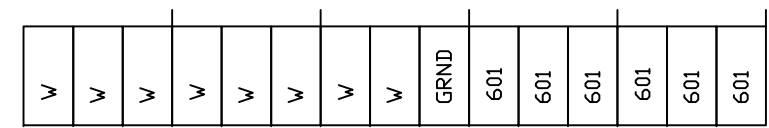
SHEET	SIZE
W-7	B

REV	REVISION	DATE	ECN	NAME	CHKD
B-1	RELEASE TO PRODUCTION	01/05/24	PXEC0481	KMD	JRD

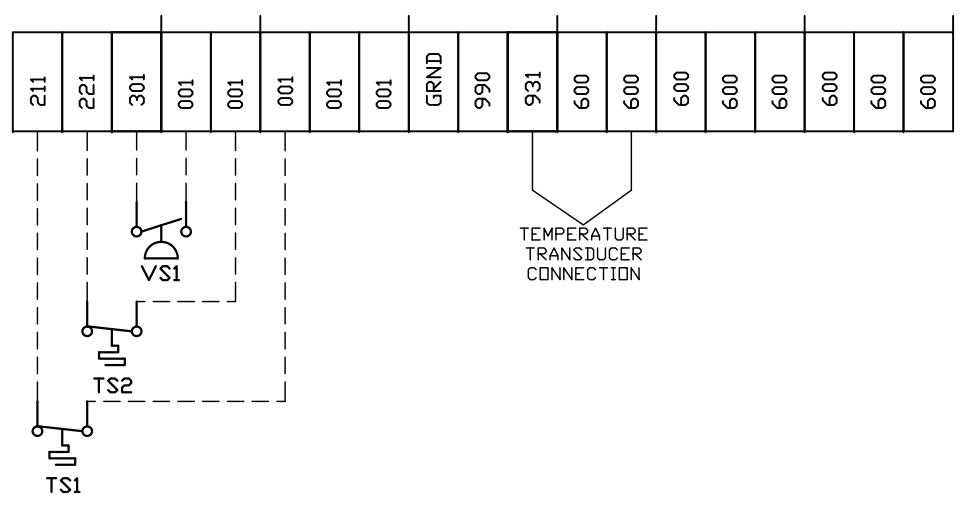
UPPER TERMINAL BLOCKS



MIDDLE TERMINAL BLOCKS



LOWER TERMINAL BLOCKS



- FIELD WIRING NOTES:
- PANEL GROUND MUST BE CONNECTED TO EARTH GROUND
  - TRANSFORMER IS SIZED FOR LOADS SHOWN ON DRAWING ONLY.
  - FIELD WIRING INDICATED BY -----, WIRE TO BE COPPER RATED AT 75° C.
  - ALL ALARM DRY CONTACTS ARE CLOSED FOR NORMAL OPERATION AND OPEN IN ALARM.
  - DRY CONTACT RATING: 30V DC/2A (resistive load, inductive load L/R = 7 ms)
  - USE CAT-5 CABLE W/RJ45 CONNECTOR FOR ETHERNET CONNECTION TO COMMUNICATION NETWORK OR BAS SYSTEM

OPTIONAL:



CONFIDENTIAL DISCLOSURE:  
This drawing is the property of POWEREX, INC. of the SCOTT FETZER COMPANY and subject to return on demand. Its contents are confidential and must not be copied or submitted to outside parties for use or examination.

DRAWN BY	CHECKED BY	ENGINEERING APPROVAL
KMD	JRD	KMD
01/05/24	01/05/24	01/05/24

PANEL TYPE  
DUPLEX VAC ENCLOSURE SUB HMI, NFPA

DWG. TYPE WIRING

DWG. NO. PBMI-VNES269

SHEET	SIZE
W-8	B



REV	REVISION	DATE	ECN	NAME	CHKD
B-1	RELEASE TO PRODUCTION	01/05/24	PXEC0481	KMD	JRD

TABLE 1

PANEL DATA 3Ø - 50/60 Hz 500VA CONTROL CIRCUIT						(B) BRANCH CIRCUIT PROTECTION - PROVIDED BY INSTALLER		
LOAD SPECIFICATIONS						NONTIME DELAY FUSE	TIME-DELAY FUSE	INVERSE-TIME CIRCUIT BREAKER
PANEL PART NUMBER	MOTOR SIZE EACH	POWER (V/PH)	PUMP MOTOR LOAD EACH (FLA)	FAN MOTOR LOAD EACH (FLA)	PANEL LOAD TOTAL (FLA)			
PBMIVNES26942CB	4	208V/3Ø	10.4	0.6	24.5	50A	35A	45A
PBMIVNES26952CB	5	208V/3Ø	13.0	0.6	29.7	60A	40A	50A
PBMIVNES26962CB	6.4	208V/3Ø	16.4	0.6	36.5	70A	50A	70A
PBMIVNES26972CB	7.5	208V/3Ø	21.4	0.6	46.5	90A	70A	80A
PBMIVNES269A2CB	10	208V/3Ø	27.2	0.6	58.1	125A	80A	100A
PBMIVNES269F2CB	15	208V/3Ø	40.5	0.6	84.7	175A	125A	150A
PBMIVNES26943CB	4	230V/3Ø	9.2	0.54	22.0	45A	30A	40A
PBMIVNES26953CB	5	230V/3Ø	11.4	0.54	26.4	50A	35A	45A
PBMIVNES26963CB	6.4	230V/3Ø	15.2	0.54	34.0	70A	50A	60A
PBMIVNES26973CB	7.5	230V/3Ø	17.2	0.54	38.0	80A	60A	70A
PBMIVNES269A3CB	10	230V/3Ø	23.6	0.54	50.8	100A	70A	90A
PBMIVNES269F3CB	15	230V/3Ø	35.0	0.54	73.6	150A	100A	150A
PBMIVNES26944CB	4	460V/3Ø	4.6	0.33	11.9	25A	20A	20A
PBMIVNES26954CB	5	460V/3Ø	5.7	0.33	14.1	30A	20A	25A
PBMIVNES26964CB	6.4	460V/3Ø	7.6	0.33	17.9	35A	25A	30A
PBMIVNES26974CB	7.5	460V/3Ø	8.6	0.33	19.9	40A	30A	35A
PBMIVNES269A4CB	10	460V/3Ø	11.8	0.33	26.3	50A	40A	45A
PBMIVNES269F4CB	15	460V/3Ø	17.5	0.33	37.7	80A	60A	70A

NOTE- ADJUST OVERCURRENT PROTECTION DEVICE NOT TO EXCEED 115% OF MOTOR NAMEPLATE FLA VALUE

TABLE 1 - LUBRICATED

PANEL DATA 3Ø - 50/60 Hz 500VA CONTROL CIRCUIT						(B) BRANCH CIRCUIT PROTECTION - PROVIDED BY INSTALLER		
LOAD SPECIFICATIONS						NONTIME DELAY FUSE	TIME-DELAY FUSE	INVERSE-TIME CIRCUIT BREAKER
PANEL PART NUMBER	MOTOR SIZE EACH	POWER (V/PH)	PUMP MOTOR LOAD EACH (FLA)	FAN MOTOR LOAD EACH (FLA)	PANEL LOAD TOTAL (FLA)			
PBMIVNES26942AB	5	208V/3Ø	15.0	0.6	33.7	70A	45A	60A
PBMIVNES26952AB	5	208V/3Ø	14.8	0.6	33.3	70A	45A	60A
PBMIVNES26972AB	7.5	208V/3Ø	26.2	0.6	56.1	110A	80A	100A
PBMIVNES26943AB	5	230V/3Ø	13.2	0.54	30.0	60A	40A	50A
PBMIVNES26953AB	5	230V/3Ø	12.9	0.54	29.4	60A	40A	50A
PBMIVNES26973AB	7.5	230V/3Ø	20.9	0.54	45.4	90A	70A	80A
PBMIVNES26944AB	5	460V/3Ø	6.6	0.33	15.9	30A	25A	30A
PBMIVNES26954AB	5	460V/3Ø	6.45	0.33	15.6	30A	25A	30A
PBMIVNES26974AB	7.5	460V/3Ø	10.5	0.33	23.7	45A	35A	40A

NOTE- ADJUST OVERCURRENT PROTECTION DEVICE NOT TO EXCEED 115% OF MOTOR NAMEPLATE FLA VALUE

NOTES:

- RECOMMENDED TIGHTENING TORQUES FOR WIRE TERMINALS:  
208-575 VOLT POWER 35 POUND INCHES  
120 VOLT POWER AND CONTROL VOLTAGE 15 POUND INCHES
- PANEL GROUND MUST BE CONNECTED TO EARTH GROUND
- INSTALLER TO PROVIDE MAIN DISCONNECTING DEVICE WITH SHORT CIRCUIT PROTECTION FOR THIS ELECTRICAL ASSEMBLY. SEE MOTOR DATA TABLE ON THIS PAGE FOR REQUIREMENTS.
- ALL WIRES MUST BE LABELED ON BOTH ENDS
- TRANSFORMER IS SIZED FOR LOADS SHOWN ON DRAWING ONLY. DO NOT CONNECT ANY OTHER DEVICES
- △ -INDICATES A DRAWING WIRE CONNECTION TO ANOTHER PAGE.


FIELD WIRING NOTES ON PAGE W-6

CONTROL TRANSFORMERS - 500VA					
FUSE TYPE		208 VOLT	230 VOLT	460/380 VOLT	575 VOLT
FU1,2A FU1,2B	FNQR	6A	5A	5A	4A
FU3A,B	FNM	7A	7A	7A	7A

SEE XFMR FOR CONNECTIONS

WIRE TYPE TABLE			
VOLTAGE	WIRE NUMBERS	GAUGE	COLOR
120VAC	001-599	16-18AWG	RED/BLK
0VAC	W	16-18AWG	WHT/BLK
24VDC	600-999	16-18AWG	PURPLE
0VDC	601,701,991	16-18AWG	PURPLE
GND	-	VARIES	GREEN
CUSTOMER SUPPLY	01-99	16-18AWG	YELLOW

OPTIONAL:



CONFIDENTIAL DISCLOSURE:  
This drawing is the property of POWEREX, INC. of the SCOTT FETZER COMPANY and subject to return on demand. Its contents are confidential and must not be copied or submitted to outside parties for use or examination.

DRAWN BY	CHECKED BY	ENGINEERING APPROVAL
KMD	JRD	KMD
01/05/24	01/05/24	01/05/24

PANEL TYPE  
DUPLX VAC ENCLOSURE SUB  
HMI, NFPA

DWG. TYPE DATA

DWG. NO.  
PBMI-VNES269

SHEET	SIZE
D-1	B

PBMI-VNES269