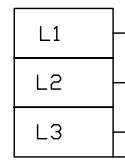
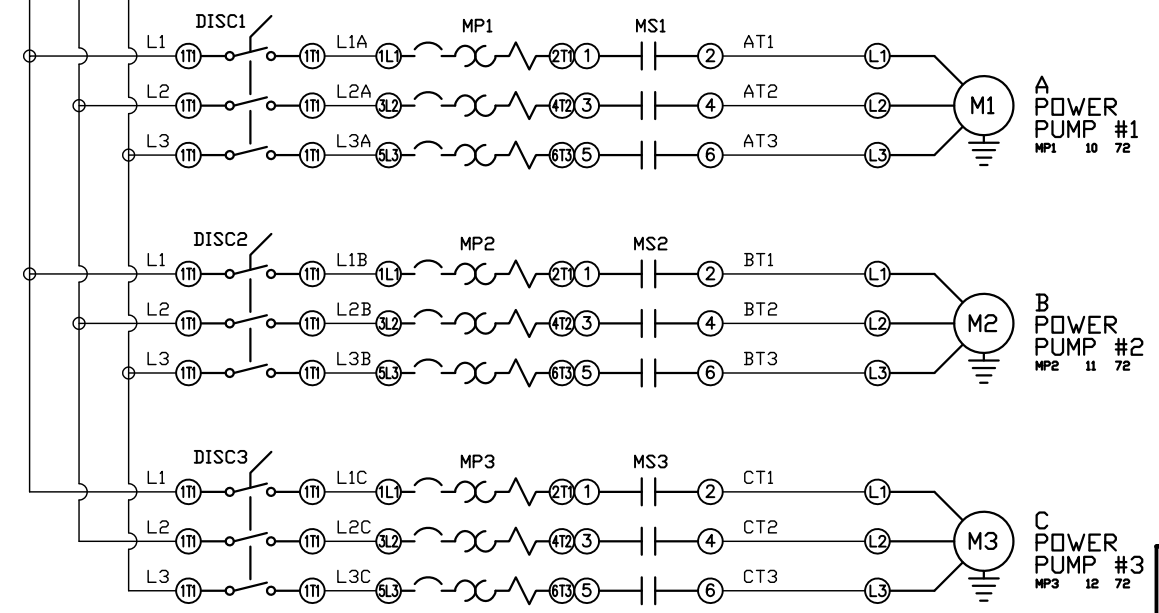


REV	REVISION	DATE	ECN	NAME	CHKD
B-1	RELEASE TO PRODUCTION	01/05/24	PXEC0481	KMD	JRD



FIELD FURNISHED DISCONNECT WITH BRANCH CIRCUIT PROTECTION IS REQUIRED
SEE NOTES ON DATA PAGE D-1



OPTIONAL:



CONFIDENTIAL DISCLOSURE:
This drawing is the property of POWEREX, INC. of the SCOTT FETZER COMPANY and subject to return on demand. Its contents are confidential and must not be copied or submitted to outside parties for use or examination.

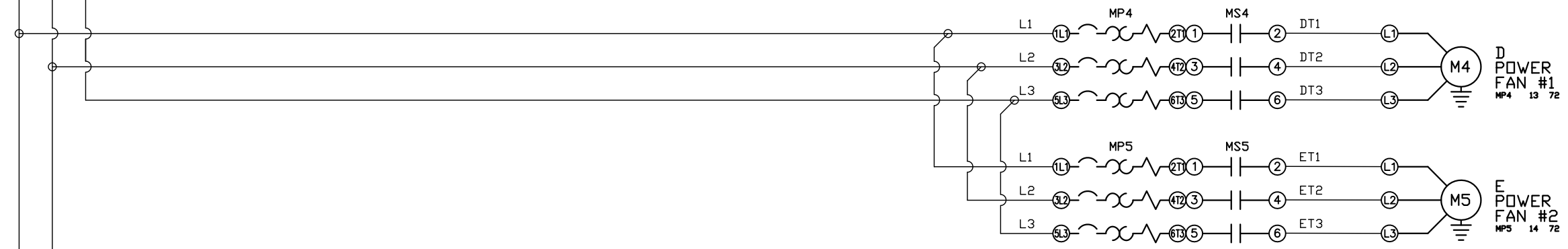
DRAWN BY	CHECKED BY	ENGINEERING APPROVAL
KMD	JRD	KMD
01/05/24	01/05/24	01/05/24

PANEL TYPE
TRIPLEX VAC ENCLOSURE SUB HMI, NFPA

DWG. TYPE WIRING

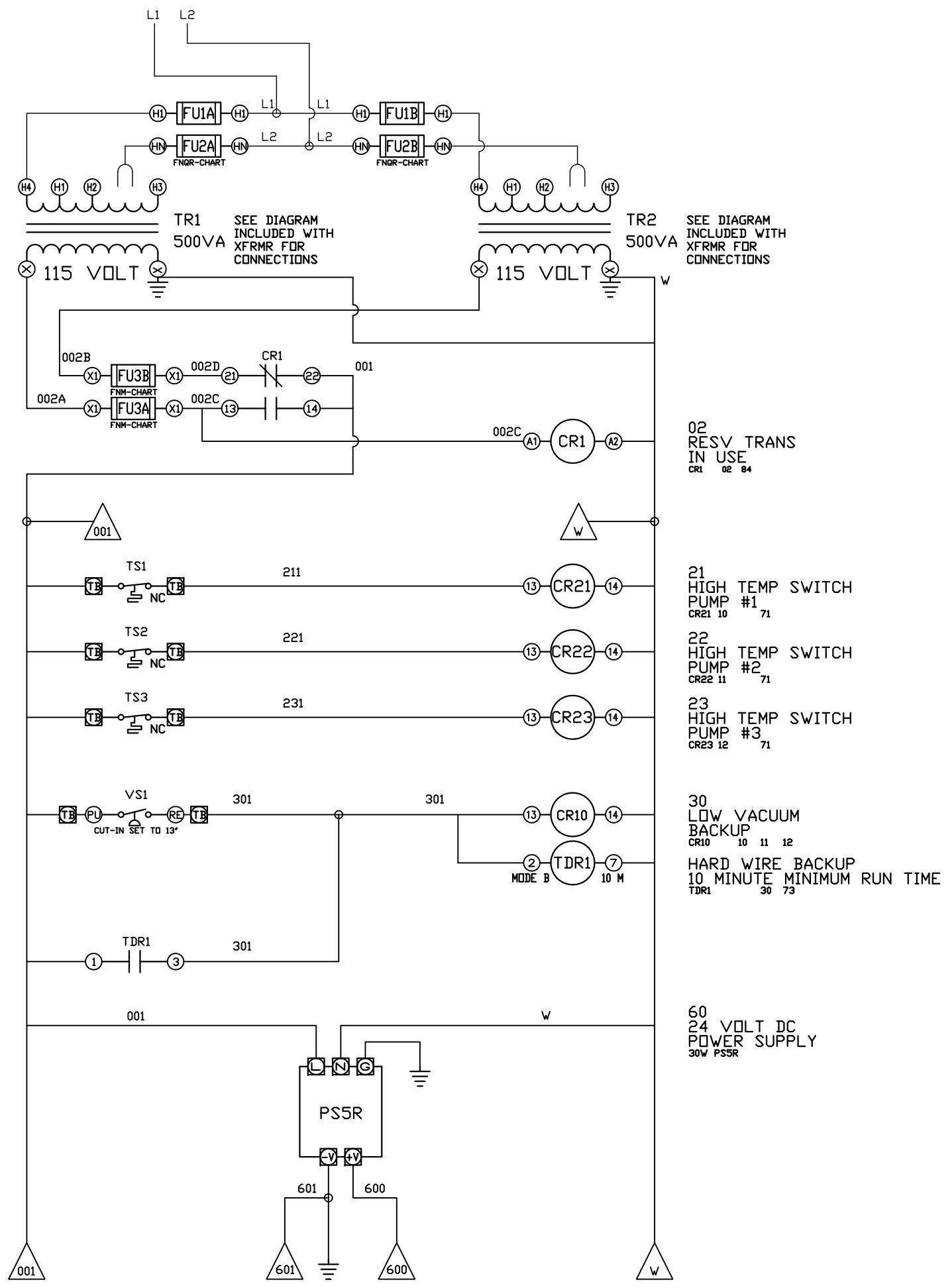
DWG. NO.
PBMI-VNES369

SHEET	SIZE
W-1	B



L1 L2

REV	REVISION	DATE	ECN	NAME	CHKD
B-1	RELEASE TO PRODUCTION	01/05/24	PXEC0481	KMD	JRD



SEE DIAGRAM INCLUDED WITH XFRMR FOR CONNECTIONS

02 RESV TRANS IN USE
CR1 02 84

21 HIGH TEMP SWITCH PUMP #1
CR21 10 71

22 HIGH TEMP SWITCH PUMP #2
CR22 11 71

23 HIGH TEMP SWITCH PUMP #3
CR23 12 71

30 LOW VACUUM BACKUP
CR10 10 11 12

HARD WIRE BACKUP 10 MINUTE MINIMUM RUN TIME
TDR1 30 73

60 24 VOLT DC POWER SUPPLY
30W PSSR

OPTIONAL:

POWEREX™

CONFIDENTIAL DISCLOSURE:
This drawing is the property of POWEREX, INC. of the SCOTT FETZER COMPANY and subject to return on demand. Its contents are confidential and must not be copied or submitted to outside parties for use or examination.

DRAWN BY	CHECKED BY	ENGINEERING APPROVAL
KMD	JRD	KMD
01/05/24	01/05/24	01/05/24

PANEL TYPE
TRIPLEX VAC ENCLOSURE SUB HMI, NFPA

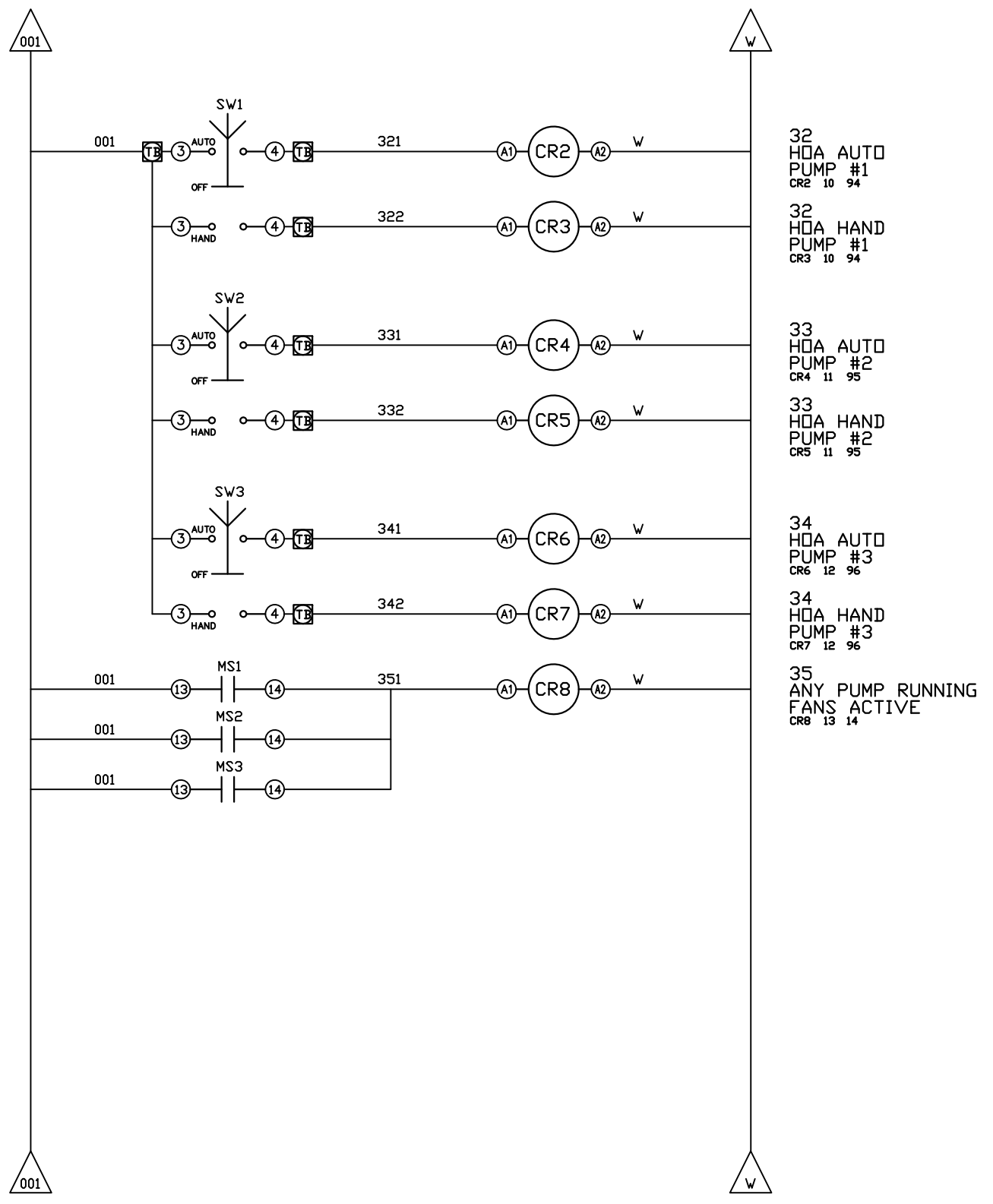
DWG. TYPE WIRING

DWG. NO. PBMI-VNES369

SHEET	SIZE
W-2	B

PBMI-VNES369

REV	REVISION	DATE	ECN	NAME	CHKD
B-1	RELEASE TO PRODUCTION	01/05/24	PXEC0481	KMD	JRD



- 32 HOA AUTO PUMP #1
CR2 10 94
- 32 HOA HAND PUMP #1
CR3 10 94
- 33 HOA AUTO PUMP #2
CR4 11 95
- 33 HOA HAND PUMP #2
CR5 11 95
- 34 HOA AUTO PUMP #3
CR6 12 96
- 34 HOA HAND PUMP #3
CR7 12 96
- 35 ANY PUMP RUNNING FANS ACTIVE
CR8 13 14

OPTIONAL:

POWEREX™

CONFIDENTIAL DISCLOSURE:
This drawing is the property of POWEREX, INC. of the SCOTT FETZER COMPANY and subject to return on demand. Its contents are confidential and must not be copied or submitted to outside parties for use or examination.

DRAWN BY	CHECKED BY	ENGINEERING APPROVAL
KMD	JRD	KMD
01/05/24	01/05/24	01/05/24

PANEL TYPE
TRIPLEX VAC ENCLOSURE SUB
HMI, NFPA

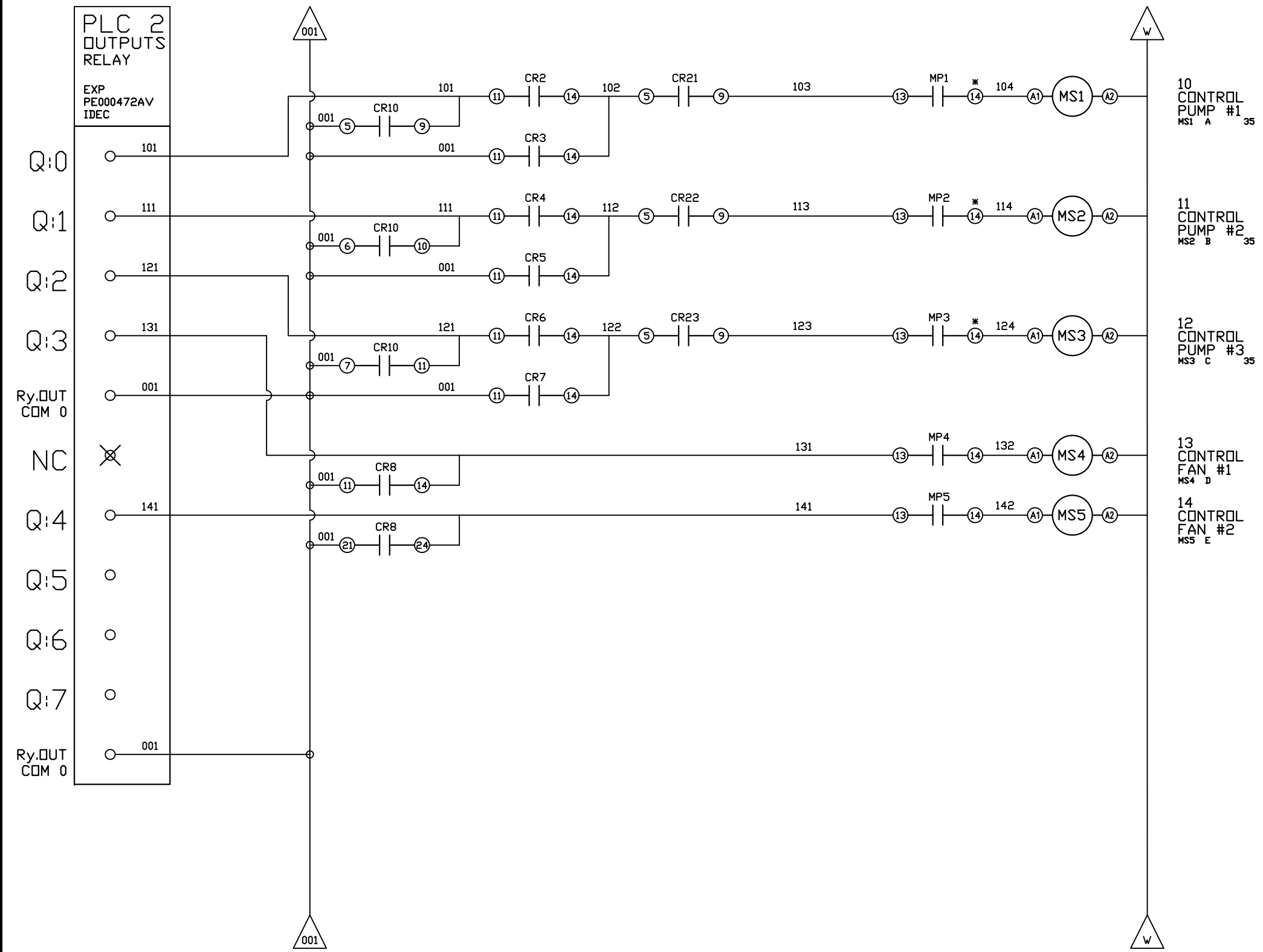
DWG. TYPE WIRING

DWG. NO.
PBMI-VNES369

SHEET	SIZE
W-3	B

PBMI-VNES369

REV	REVISION	DATE	ECN	NAME	CHKD
B-1	RELEASE TO PRODUCTION	01/05/24	PXEC0481	KMD	JRD



- 10 CONTROL PUMP #1
MS1 A 35
- 11 CONTROL PUMP #2
MS2 B 35
- 12 CONTROL PUMP #3
MS3 C 35
- 13 CONTROL FAN #1
MS4 D
- 14 CONTROL FAN #2
MS5 E

OPTIONAL:



CONFIDENTIAL DISCLOSURE:
This drawing is the property of POWEREX, INC. of the SCOTT FETZER COMPANY and subject to return on demand. Its contents are confidential and must not be copied or submitted to outside parties for use or examination.

DRAWN BY	CHECKED BY	ENGINEERING APPROVAL
KMD	JRD	KMD
01/05/24	01/05/24	01/05/24

PANEL TYPE
TRIPLEX VAC ENCLOSURE SUB
HMI, NFPA

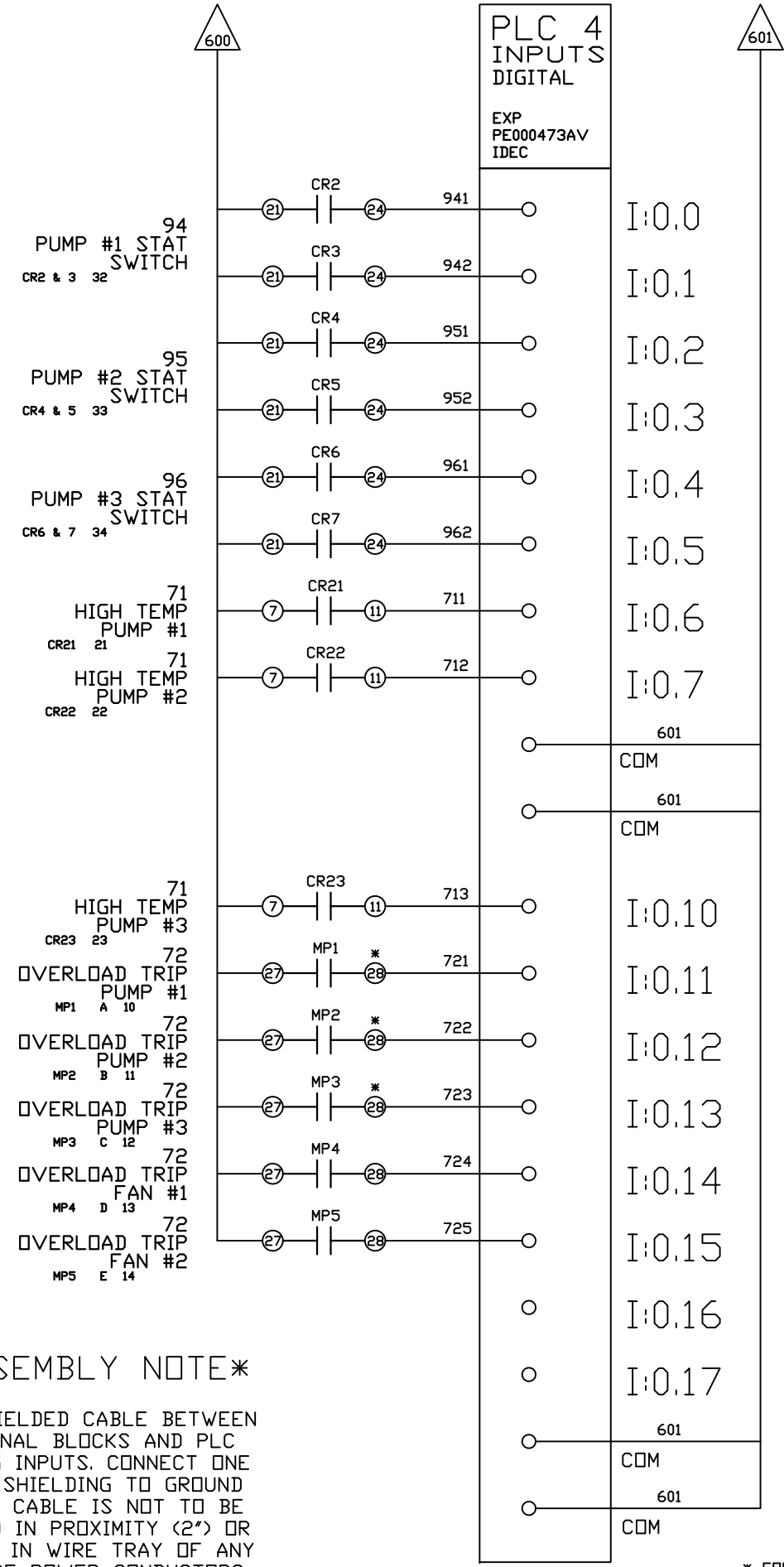
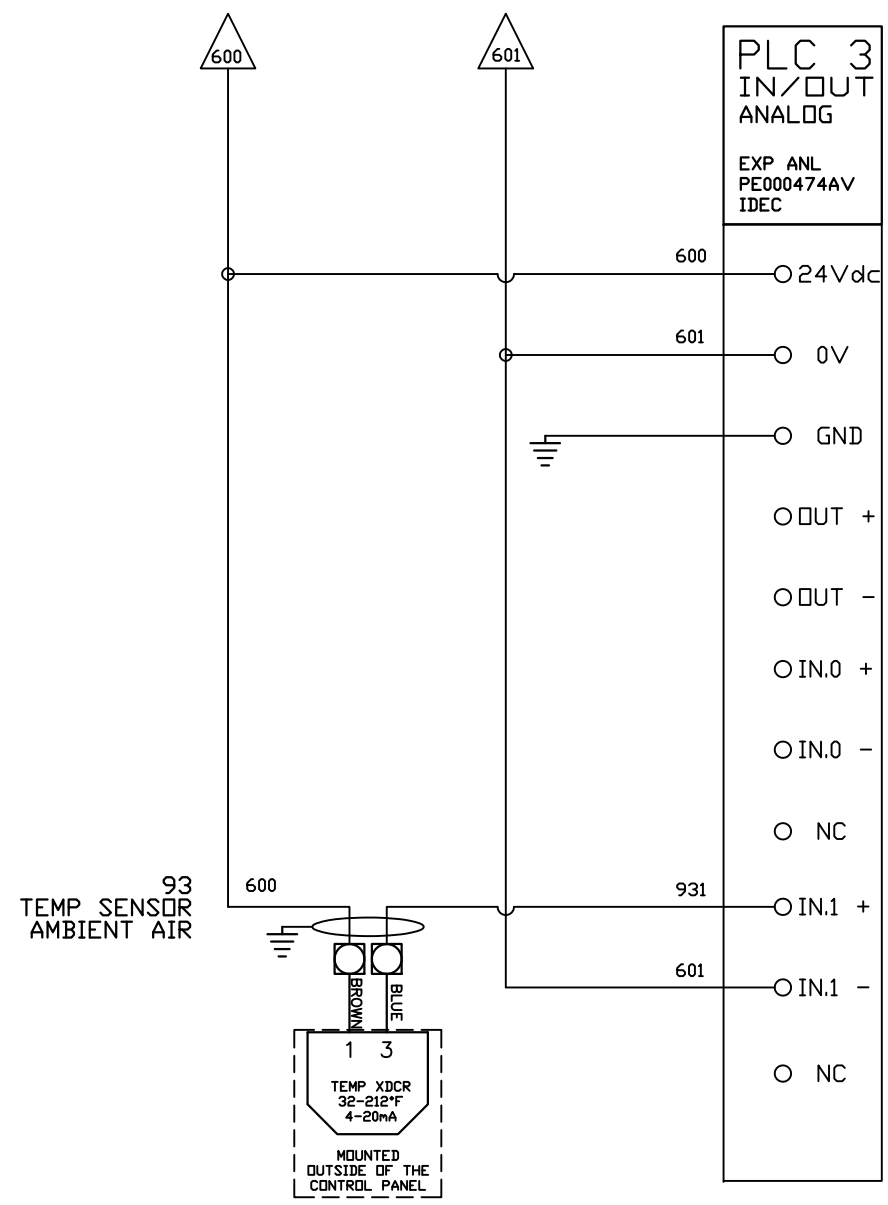
DWG. TYPE WIRING

DWG. NO.
PBMI-VNES369

SHEET	SIZE
W-4	B

* FOR GV4 MOTOR PROTECTORS USE PINS #1 AND #4 ON AUX CONTACT IN 'OF1' SLOT

REV	REVISION	DATE	ECN	NAME	CHKD
B-1	RELEASE TO PRODUCTION	01/05/24	PXEC0481	KMD	JRD



ASSEMBLY NOTE

USE SHIELDED CABLE BETWEEN TERMINAL BLOCKS AND PLC ANALOG INPUTS. CONNECT ONE END'S SHIELDING TO GROUND BLOCK. CABLE IS NOT TO BE ROUTED IN PROXIMITY (2") OR ROUTED IN WIRE TRAY OF ANY 3-PHASE POWER CONDUCTORS.

* FOR GV4 MOTOR PROTECTORS USE PINS #1 AND #4 ON AUX CONTACT IN 'SD9' SLOT

OPTIONAL:

POWEREX™

CONFIDENTIAL DISCLOSURE:
This drawing is the property of POWEREX, INC. of the SCOTT FETZER COMPANY and subject to return on demand. Its contents are confidential and must not be copied or submitted to outside parties for use or examination.

DRAWN BY	CHECKED BY	ENGINEERING APPROVAL
KMD	JRD	KMD
01/05/24	01/05/24	01/05/24

PANEL TYPE
TRIPLEX VAC ENCLOSURE SUB
HMI, NFPA

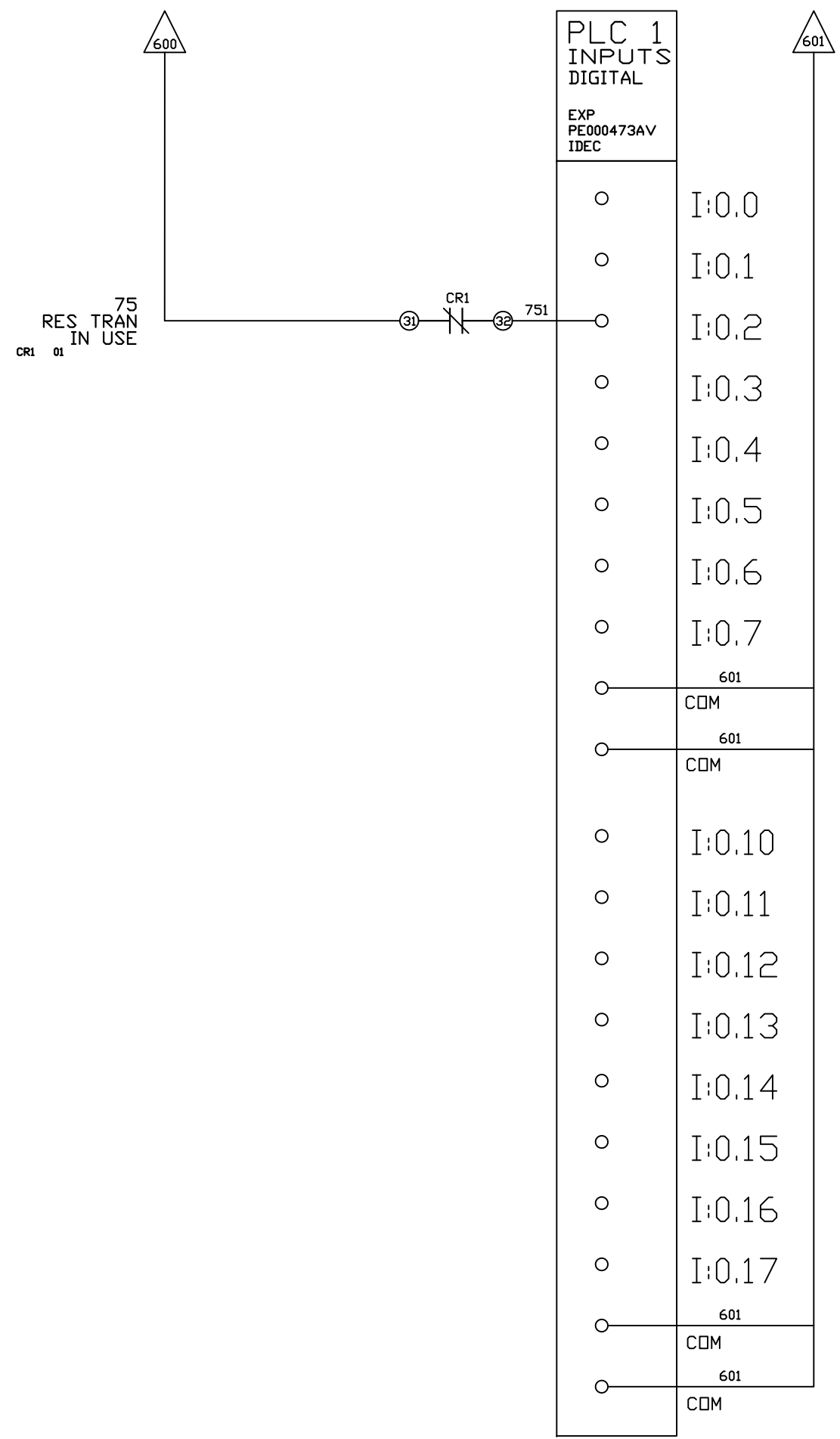
DWG. TYPE WIRING

DWG. NO.
PBMI-VNES369

SHEET	SIZE
W-5	B

PBMI-VNES369

REV	REVISION	DATE	ECN	NAME	CHKD
B-1	RELEASE TO PRODUCTION	01/05/24	PXECO481	KMD	JRD



OPTIONAL:

POWEREX™

CONFIDENTIAL DISCLOSURE:
This drawing is the property of POWEREX, INC. of the SCOTT FETZER COMPANY and subject to return on demand. Its contents are confidential and must not be copied or submitted to outside parties for use or examination.

DRAWN BY	CHECKED BY	ENGINEERING APPROVAL
KMD	JRD	KMD
01/05/24	01/05/24	01/05/24

PANEL TYPE
TRIPLEX VAC ENCLOSURE SUB HMI, NFPA

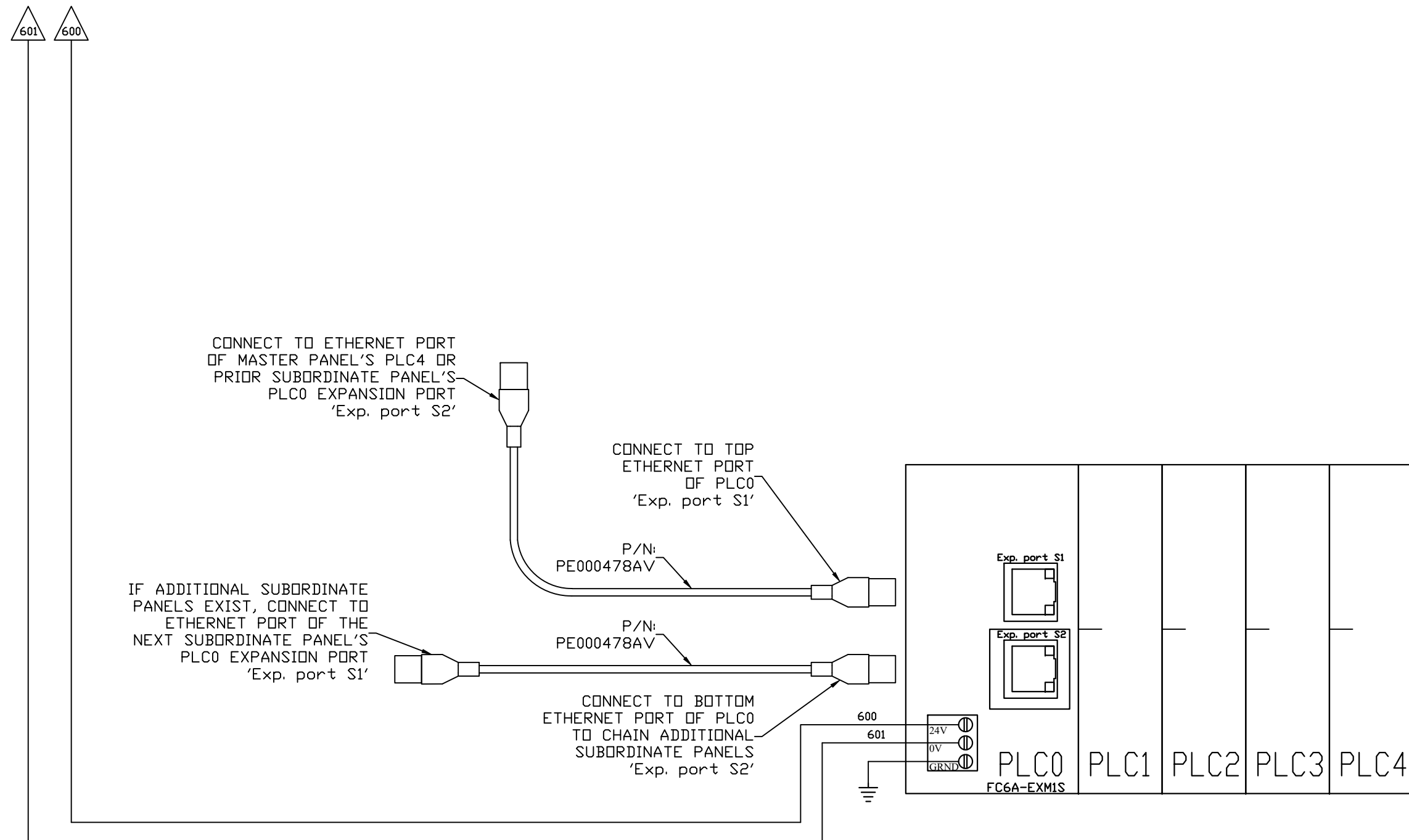
DWG. TYPE WIRING

DWG. NO.
PBMI-VNES369

SHEET	SIZE
W-6	B

PBMI-VNES369

REV	REVISION	DATE	ECN	NAME	CHKD
B-1	RELEASE TO PRODUCTION	01/05/24	PXEC0481	KMD	JRD



OPTIONAL:



CONFIDENTIAL DISCLOSURE:
This drawing is the property of POWEREX, INC. of the SCOTT FETZER COMPANY and subject to return on demand. Its contents are confidential and must not be copied or submitted to outside parties for use or examination.

DRAWN BY	CHECKED BY	ENGINEERING APPROVAL
KMD	JRD	KMD
01/05/24	01/05/24	01/05/24

PANEL TYPE
TRIPLEX VAC ENCLOSURE SUB HMI, NFPA

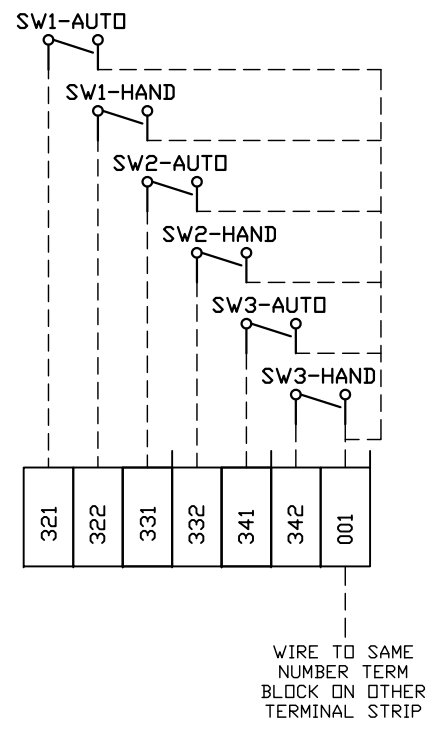
DWG. TYPE WIRING

DWG. NO.
PBMI-VNES369

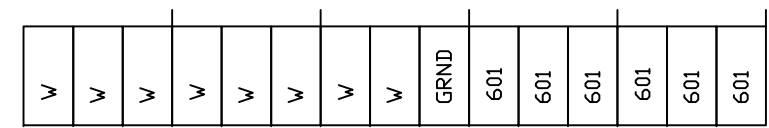
SHEET	SIZE
W-7	B

REV	REVISION	DATE	ECN	NAME	CHKD
B-1	RELEASE TO PRODUCTION	01/05/24	PXEC0481	KMD	JRD

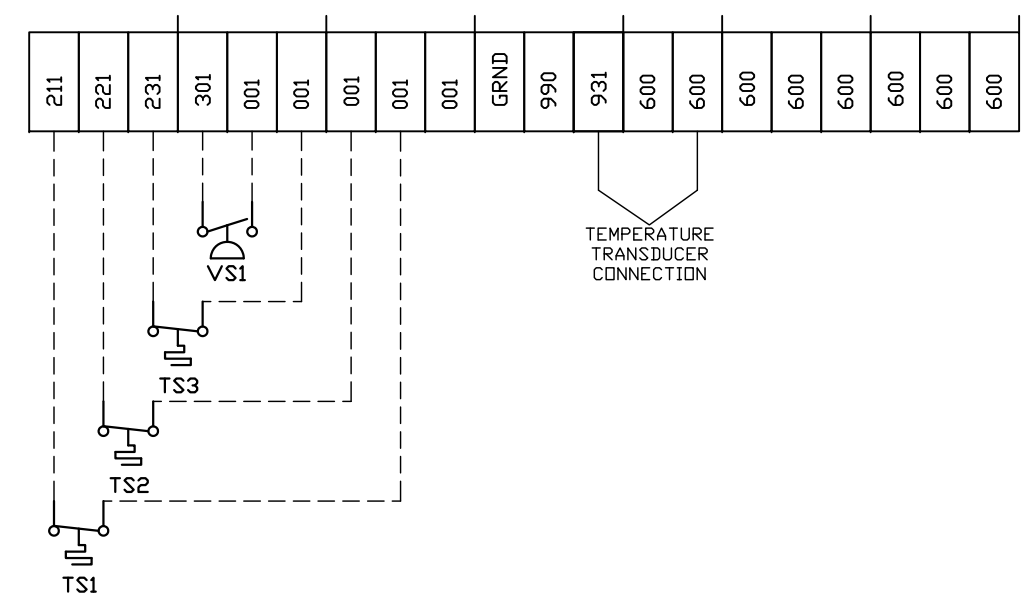
UPPER TERMINAL BLOCKS



MIDDLE TERMINAL BLOCKS



LOWER TERMINAL BLOCKS



- FIELD WIRING NOTES:
- PANEL GROUND MUST BE CONNECTED TO EARTH GROUND
 - TRANSFORMER IS SIZED FOR LOADS SHOWN ON DRAWING ONLY.
 - FIELD WIRING INDICATED BY -----, WIRE TO BE COPPER RATED AT 75° C.
 - ALL ALARM DRY CONTACTS ARE CLOSED FOR NORMAL OPERATION AND OPEN IN ALARM.
 - DRY CONTACT RATING: 30V DC/2A (resistive load, inductive load L/R = 7 ms)
 - USE CAT-5 CABLE W/RJ45 CONNECTOR FOR ETHERNET CONNECTION TO COMMUNICATION NETWORK OR BAS SYSTEM

OPTIONAL:



CONFIDENTIAL DISCLOSURE:
This drawing is the property of POWEREX, INC. of the SCOTT FETZER COMPANY and subject to return on demand. Its contents are confidential and must not be copied or submitted to outside parties for use or examination.

DRAWN BY	CHECKED BY	ENGINEERING APPROVAL
KMD	JRD	KMD
01/05/24	01/05/24	01/05/24

PANEL TYPE
TRIPLEX VAC ENCLOSURE SUB HMI, NFPA

DWG. TYPE WIRING

DWG. NO. PBMI-VNES369

SHEET	SIZE
W-8	B

REV	REVISION	DATE	ECN	NAME	CHKD
B-1	RELEASE TO PRODUCTION	01/05/24	PXEC0481	KMD	JRD

TABLE 1

PANEL DATA 3Ø - 50/60 Hz 500VA CONTROL CIRCUIT								
LOAD SPECIFICATIONS						(B) BRANCH CIRCUIT PROTECTION - PROVIDED BY INSTALLER		
PANEL PART NUMBER	MOTOR SIZE EACH	POWER (V/PH)	PUMP MOTOR LOAD EACH (FLA)	FAN MOTOR LOAD EACH (FLA)	PANEL LOAD TOTAL (FLA)	MONTHLY DELAY FUSE	TIME-DELAY FUSE	INVERSE-TIME CIRCUIT BREAKER
PBMIVNES36942CB	4	208V/3Ø	10.4	0.6	34.9	60A	45A	60A
PBMIVNES36952CB	5	208V/3Ø	13.0	0.6	42.7	70A	60A	70A
PBMIVNES36962CB	6.4	208V/3Ø	16.4	0.6	52.9	90A	70A	80A
PBMIVNES36972CB	7.5	208V/3Ø	21.4	0.6	67.9	125A	90A	100A
PBMIVNES36943CB	4	230V/3Ø	9.2	0.54	31.2	50A	40A	45A
PBMIVNES36953CB	5	230V/3Ø	11.4	0.54	37.8	70A	50A	60A
PBMIVNES36963CB	6.4	230V/3Ø	15.2	0.54	49.2	80A	70A	80A
PBMIVNES36973CB	7.5	230V/3Ø	17.2	0.54	55.2	90A	70A	90A
PBMIVNES36944CB	4	460V/3Ø	4.6	0.33	16.5	30A	20A	25A
PBMIVNES36954CB	5	460V/3Ø	5.7	0.33	19.8	35A	25A	30A
PBMIVNES36964CB	6.4	460V/3Ø	7.6	0.33	25.5	45A	35A	40A
PBMIVNES36974CB	7.5	460V/3Ø	8.6	0.33	28.5	50A	35A	45A

NOTE- ADJUST OVERCURRENT PROTECTION DEVICE NOT TO EXCEED
115% OF MOTOR NAMEPLATE FLA VALUE

VOLTAGE	WIRE NUMBERS	GAUGE	COLOR
120VAC	001-599	16-18AWG	RED/BLK
0VAC	W	16-18AWG	WHT/BLK
24VDC	600-999	16-18AWG	PURPLE
0VDC	601,701,991	16-18AWG	PURPLE
GND	-	VARIES	GREEN
CUSTOMER SUPPLY	01-99	16-18AWG	YELLOW

FUSE TYPE		208 VOLT	230 VOLT	460 380 VOLT	575 VOLT
FU1,2A FU1,2B	FNQR	6A	5A	5A	4A
FU3A,B	FNM	7A	7A	7A	7A


SEE XFMR FOR CONNECTIONS

NOTES:

- RECOMMENDED TIGHTENING TORQUES FOR WIRE TERMINALS:
208-575 VOLT POWER 35 POUND INCHES
120 VOLT POWER AND CONTROL
VOLTAGE 15 POUND INCHES
- PANEL GROUND MUST BE CONNECTED TO EARTH GROUND
- INSTALLER TO PROVIDE MAIN DISCONNECTING DEVICE WITH
SHORT CIRCUIT PROTECTION FOR THIS ELECTRICAL ASSEMBLY.
SEE MOTOR DATA TABLE ON THIS PAGE FOR REQUIREMENTS.
- ALL WIRES MUST BE LABELED ON BOTH ENDS
- TRANSFORMER IS SIZED FOR LOADS SHOWN ON DRAWING ONLY.
DO NOT CONNECT ANY OTHER DEVICES
- △ -INDICATES A DRAWING WIRE CONNECTION TO ANOTHER PAGE.

FIELD WIRING NOTES ON PAGE W-6

OPTIONAL:



CONFIDENTIAL DISCLOSURE:
This drawing is the property of POWEREX, INC. of
the SCOTT FETZER COMPANY and subject to return
on demand. Its contents are confidential and must
not be copied or submitted to outside parties for
use or examination.

DRAWN BY	CHECKED BY	ENGINEERING APPROVAL
KMD	JRD	KMD
01/05/24	01/05/24	01/05/24

PANEL TYPE
TRIPLEX VAC ENCLOSURE SUB
HMI, NFPA

DWG. TYPE DATA

DWG. NO.
PBMI-VNES369

SHEET	SIZE
D-1	B

PBMI-VNES369